



US00D700751S

(12) **United States Design Patent**
Gilkey et al.

(10) **Patent No.:** **US D700,751 S**

(45) **Date of Patent:** **** Mar. 4, 2014**

- (54) **PET WATER DISH**
- (71) Applicants: **Rebecca A. Gilkey**, Mercer, PA (US);
David L. Stanley, Sharon, PA (US)
- (72) Inventors: **Rebecca A. Gilkey**, Mercer, PA (US);
David L. Stanley, Sharon, PA (US)
- (**) Term: **14 Years**
- (21) Appl. No.: **29/472,118**
- (22) Filed: **Nov. 8, 2013**
- (51) **LOC (10) Cl.** **30-03**
- (52) **U.S. Cl.**
USPC **D30/133; D30/129; D30/121; D30/132**
- (58) **Field of Classification Search**
USPC D30/133, 121, 128, 130, 132; 119/52.1,
119/55, 61.5, 61.6; D6/480-485; 248/188;
312/204; 108/153.1-157
See application file for complete search history.

4,022,160	A *	5/1977	Lester	119/51.01
D252,310	S *	7/1979	Shannon	D7/619.1
D257,068	S *	9/1980	Imhoff	D30/129
D257,494	S *	11/1980	Imhoff	D30/129
4,257,353	A *	3/1981	Imhoff	119/61.56
D260,043	S *	7/1981	Robinson	D30/129
4,488,697	A *	12/1984	Garvey	248/101
4,562,983	A *	1/1986	Klefbeck	248/97
4,572,251	A *	2/1986	Drury	141/1
4,587,930	A *	5/1986	Trego	119/61.57
D287,920	S *	1/1987	Lanier	D7/624.2
4,658,759	A *	4/1987	Brown	119/61.5
D289,807	S *	5/1987	Russell	D30/129
4,667,911	A *	5/1987	Farris et al.	248/97
4,899,967	A *	2/1990	Johnson	248/97
4,953,507	A *	9/1990	Robinson	119/73
D312,028	S *	11/1990	Pinette, Jr.	D7/624.1
D312,191	S *	11/1990	Pinette, Jr.	D7/624.1
5,000,123	A *	3/1991	Morse et al.	119/61.54
D316,014	S *	4/1991	Pinette, Jr.	D7/624.1
D316,501	S *	4/1991	Pinette, Jr.	D7/624.1
5,042,759	A *	8/1991	Blair	248/146
5,046,587	A *	9/1991	Jones	188/32
5,060,893	A *	10/1991	Halbert	248/97

(Continued)

Primary Examiner — Susan Moon Lee
(74) *Attorney, Agent, or Firm* — Harpman & Harpman

(56) **References Cited**

U.S. PATENT DOCUMENTS

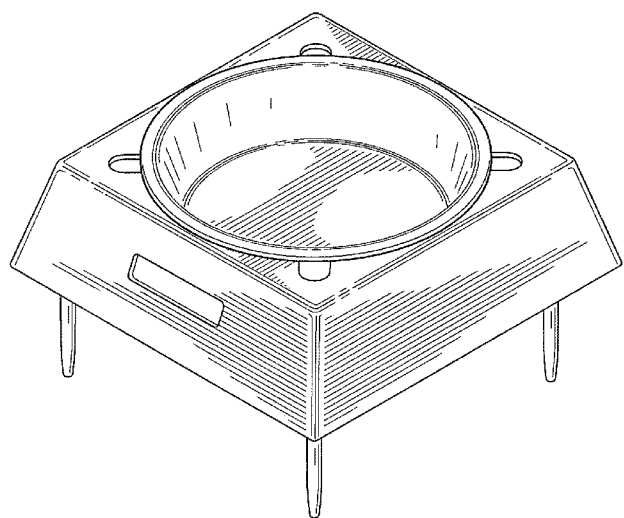
779,924	A *	1/1905	Gommel	47/41.01
D44,466	S *	8/1913	Brunhoff	D99/34
D44,657	S *	9/1913	Brunhoff	D99/34
1,342,807	A *	6/1920	Harrington	220/4.12
1,359,388	A *	11/1920	Koerner	47/47
1,560,404	A *	11/1925	Brown	47/47
1,779,867	A *	10/1930	Ahrold	248/146
1,912,728	A *	6/1933	Roe	248/346.11
2,061,957	A *	11/1936	Brown	312/228
2,106,436	A *	1/1938	Pyle	108/125
D132,421	S *	5/1942	Krapp	D30/133
2,366,584	A *	1/1945	Woodward	119/72
D148,608	S *	2/1948	Bullock	D30/104
D192,550	S *	4/1962	Wright	D7/366
3,259,106	A *	7/1966	Ray et al.	119/51.03
D231,887	S *	6/1974	Kephart	D6/484
D234,915	S *	4/1975	Freedman et al.	D9/572

(57) **CLAIM**
The ornamental design for a pet water dish, as shown and described.

DESCRIPTION

FIG. 1 is a front and side perspective view of the design for a pet water dish.
FIG. 2 is a bottom, front and side perspective view thereof.
FIG. 3 is a rear elevational view of the ornamental design for a pet water dish.
FIG. 4 is a right side elevational view thereof; and,
FIG. 5 is a bottom plan view of the ornamental design for a pet water dish.

1 Claim, 4 Drawing Sheets



(56)

References Cited

U.S. PATENT DOCUMENTS

D321,498 S *	11/1991	Jones	D12/217	D505,625 S *	5/2005	Servaux et al.	D9/560
5,125,364 A *	6/1992	Sagucio	119/61.53	D515,877 S *	2/2006	Czepowicz et al.	D7/619.1
D330,816 S *	11/1992	Phillips	D6/457	D515,878 S *	2/2006	Czepowicz et al.	D7/619.1
D331,792 S *	12/1992	Wilcox	D23/206	7,077,074 B2 *	7/2006	Polimeni, Jr.	119/61.56
D338,088 S *	8/1993	Bailey	D30/131	D526,537 S *	8/2006	Rosenberg et al.	D7/619.1
5,285,749 A *	2/1994	Byer	119/61.53	D529,838 S *	10/2006	Boling	D11/164
5,347,979 A *	9/1994	Haber	126/43	7,328,663 B2 *	2/2008	Leng	108/157.14
5,445,350 A *	8/1995	Rigsby	248/313	D579,784 S *	11/2008	Varlet	D9/546
D363,255 S *	10/1995	Helms et al.	D11/164	D608,600 S *	1/2010	Wood et al.	D7/605
5,499,787 A *	3/1996	Bonomo	248/97	7,665,417 B1 *	2/2010	Harper	119/51.01
5,509,376 A *	4/1996	Tsengas	119/51.5	7,730,852 B2 *	6/2010	Kramer	119/61.5
D378,149 S *	2/1997	Mann	D30/133	D625,885 S *	10/2010	Bianchi	D30/129
5,619,952 A *	4/1997	Walker	119/61.53	8,006,433 B1 *	8/2011	Bryanton	47/45
D383,225 S *	9/1997	Wolfard et al.	D26/23	D653,088 S *	1/2012	Hansen et al.	D7/624.1
D383,271 S *	9/1997	Eshelman	D32/54	8,087,528 B1 *	1/2012	Scarlett et al.	220/23.89
5,730,083 A *	3/1998	Walker	83/699.41	D653,914 S *	2/2012	Lutz	D7/624.1
5,794,565 A *	8/1998	Beshah	119/61.54	D655,054 S *	2/2012	Lipscomb et al.	D30/129
5,839,711 A *	11/1998	Bieck et al.	248/313	D659,913 S *	5/2012	Spectre et al.	D30/130
D405,290 S *	2/1999	Hollinger	D6/403	D665,541 S *	8/2012	Shamoon	D30/133
D406,925 S *	3/1999	Sharon	D30/129	D665,871 S *	8/2012	Coupe et al.	D23/206
D412,605 S *	8/1999	Sharon	D30/129	D667,698 S *	9/2012	Tupy et al.	D7/619.1
5,992,662 A *	11/1999	Holt et al.	215/395	8,342,129 B2 *	1/2013	Harper	119/61.5
5,996,531 A *	12/1999	Anderson	119/61.53	8,353,496 B2 *	1/2013	Schwartz	248/346.03
6,047,849 A *	4/2000	Schwegman et al.	220/737	D677,128 S *	3/2013	Roeser	D7/625
D426,752 S *	6/2000	Whaley	D7/619.1	D679,553 S *	4/2013	Williams et al.	D7/619.1
6,089,187 A *	7/2000	Gaspary	119/61.5	D682,485 S *	5/2013	Wygle	D30/133
D446,361 S *	8/2001	Elliott	D30/129	D682,982 S *	5/2013	Wood et al.	D23/206
D448,978 S *	10/2001	Isbell	D7/619.1	8,540,108 B2 *	9/2013	Kim	220/574.2
6,302,291 B1 *	10/2001	McCleerey	220/630	2002/0179796 A1 *	12/2002	Kaupp et al.	248/311.2
D451,709 S *	12/2001	Heithecker	D6/472	2004/0011934 A1 *	1/2004	Czepowicz et al.	248/311.2
D456,307 S *	4/2002	Fan	D11/152	2004/0021048 A1 *	2/2004	Schaal	248/310
D460,717 S *	7/2002	Fan	D11/152	2004/0118860 A1 *	6/2004	Leopold et al.	220/737
6,513,280 B2 *	2/2003	Roberts	43/109	2004/0182326 A1 *	9/2004	Polimeni, Jr.	119/51.5
D494,325 S *	8/2004	Paterson	D30/121	2005/0039689 A1 *	2/2005	Mossmer	119/61.5
6,783,023 B1 *	8/2004	Fan	220/571	2005/0139162 A1 *	6/2005	Polimeni	119/51.5
6,840,191 B2 *	1/2005	Gaspary et al.	119/61.5	2006/0113200 A1 *	6/2006	Abkarian et al.	206/217
				2010/0102073 A1 *	4/2010	Henrie	220/737
				2010/0275852 A1 *	11/2010	Lipscomb et al.	119/61.5

* cited by examiner

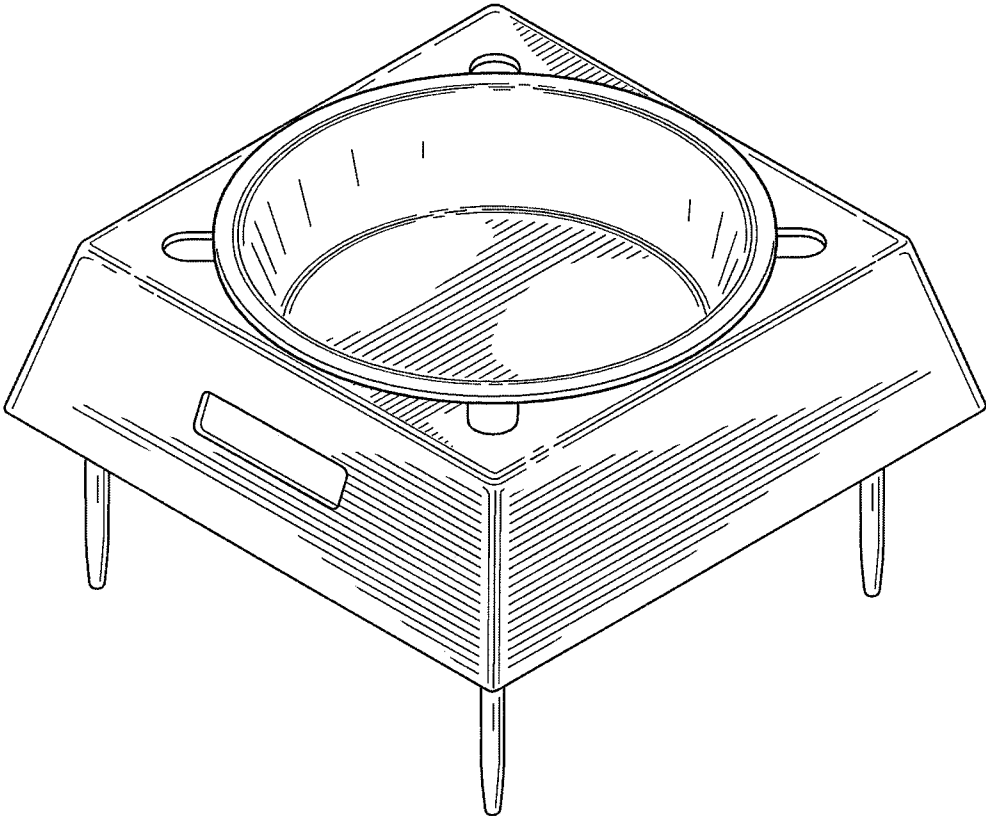


FIG. 1

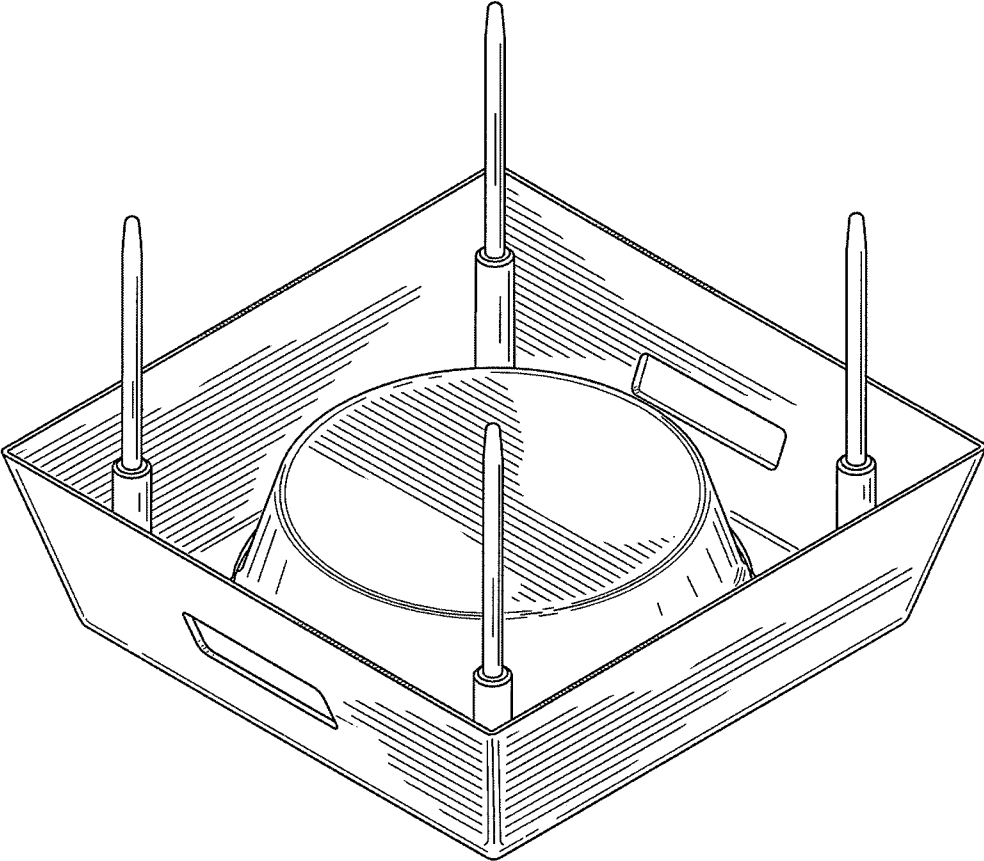


FIG. 2

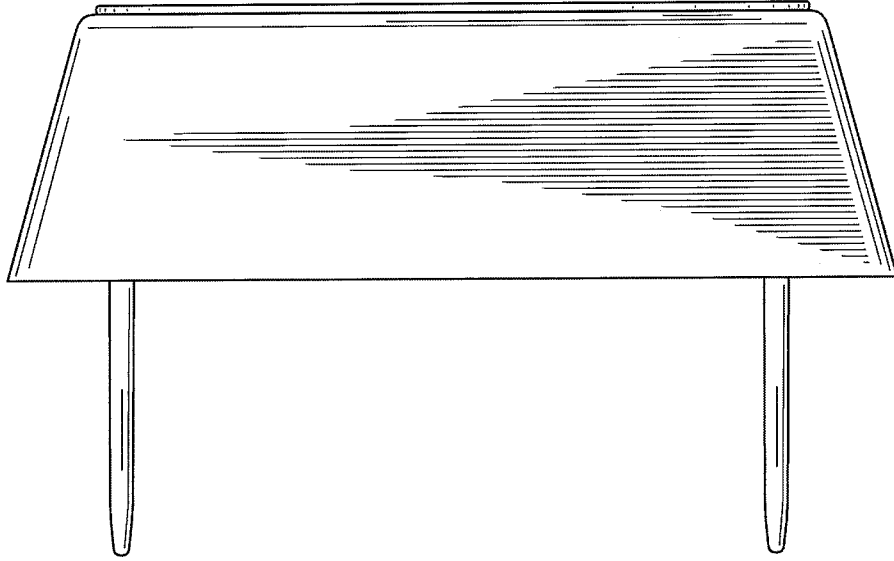


FIG. 3

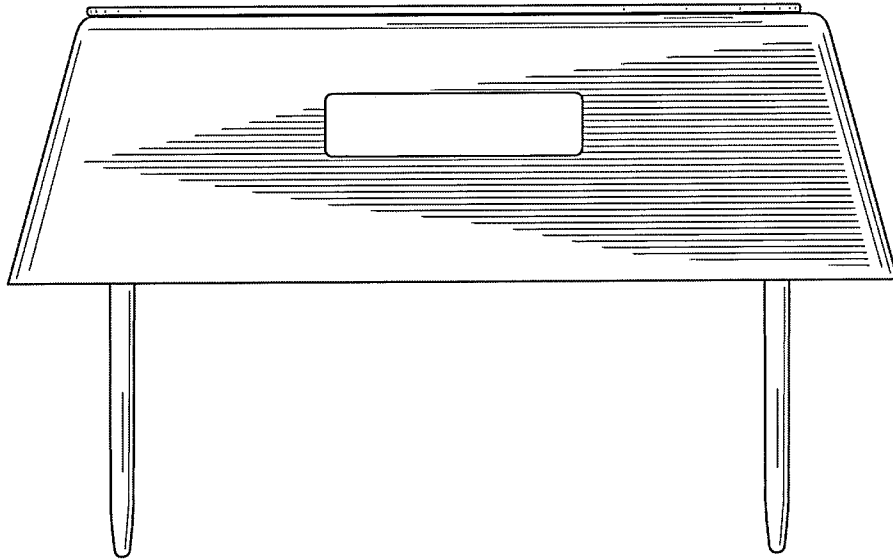


FIG. 4

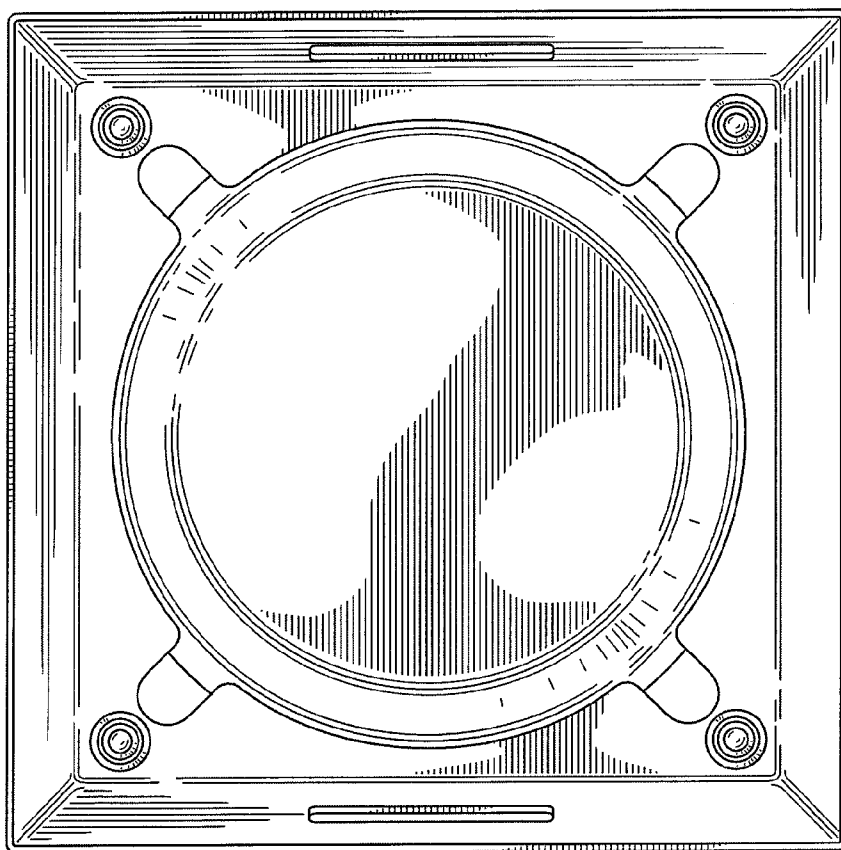


FIG. 5