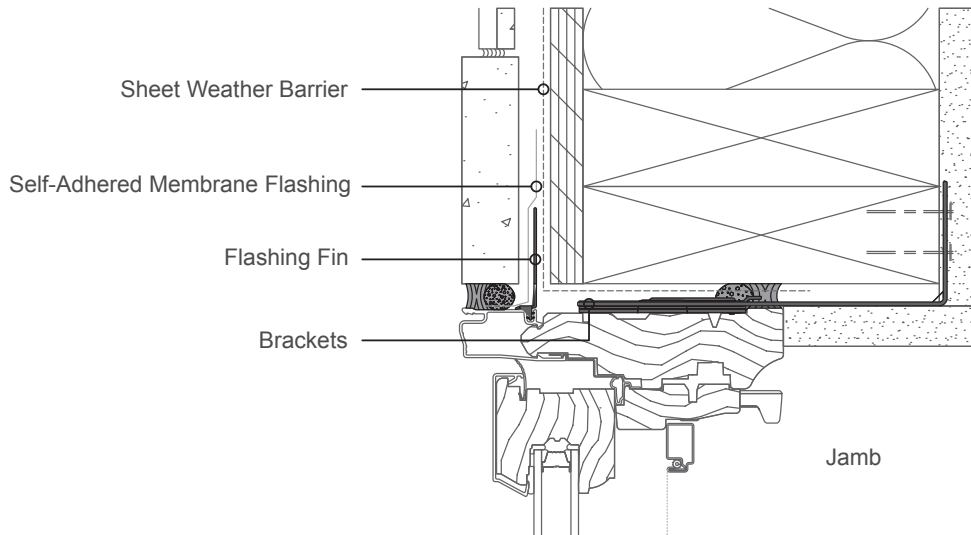




Steady Set™

HOW TO APPLY DRYWALL RETURNS

Pella® Reserve and Lifestyle Series products feature a flat interior surface that allows for factory applied wood jamb extensions, field applied jamb extensions, or drywall returns to terminate against. The design of all window hardware, operable sashes, screens, or other components intentionally avoid this area of the frame to ensure there will be no interference with finish materials up to 5/8" thick. The Steady Set L Brackets are beside the window frame between the window frame and the rough opening wall structure. Simply apply the field applied jamb extension or drywall return against the side of the L Brackets and terminate into the interior of the window frame as required.



	Pella Reserve		Pella Lifestyle	
	Traditional	Contemporary	Triple-Pane	Dual-Pane
Awning Vent and Fixed				
Casement Vent and Fixed				
Fixed Frame Direct Set				
Single- and Double-Hung		--	--	