

Note: Dimensions are nominal measurements only

SPECIFICATIONS

RECOMMENDED USE

Domestic

MATERIAL

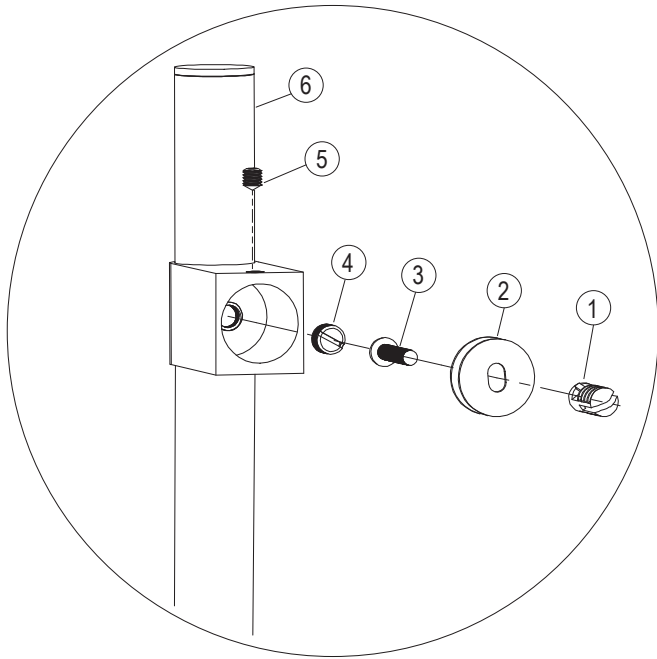
Solid Brass

MOUNTING HARDWARE INCLUDED

Yes, 2x masonry screw, 2 x wall plug

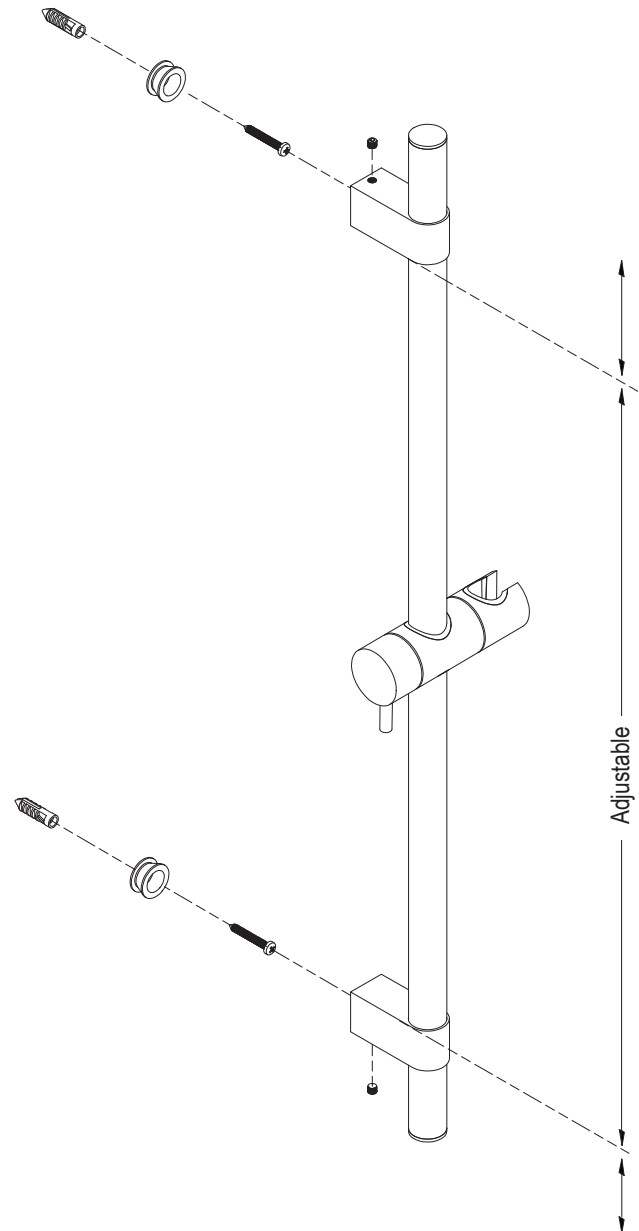
INSTALLATION GUIDE

Note: This product must be installed by a licensed plumber.
 This is a general installation guide - there are many factors that are involved that can alter the installation method.
 This product install must comply with AS/NZS 3500.



Whats in the box	
①	2 x Wall Plug
②	2 x Brass fixing bracket
③	2 x Screw
④	2 x Large Grub Screw
⑤	2 x Sml Grub Screw
⑥	1 x Shower Rail

- ① Unfasten small grub screw and remove brass fixing bracket
- ② Loosen large grub screw with a screw driver and slide horizontal members into desired arrangement, retighten grub screw.
- ③ Measure new distance between large grub screws. Mark wall with new distance.
- ④ Drill holes with masonry drill bit (not on hammer) & fit wall plugs using a rubber mallet.
- ⑤ Screw the brass fixing bracket into the plugs.
- ⑥ Fit shower rail onto the brass fixing brackets and retighten small grub screw using the allen key.



Regularly clean with mild liquid detergent or soap and water.



DO NOT use cream cleaners or bleach. These substances are abrasive.



DO NOT use cleaning pads with abrasive surfaces as this may scratch the material.