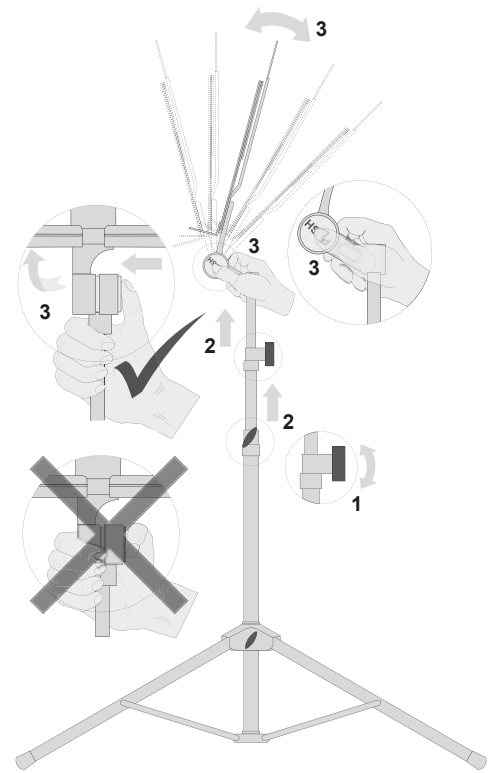
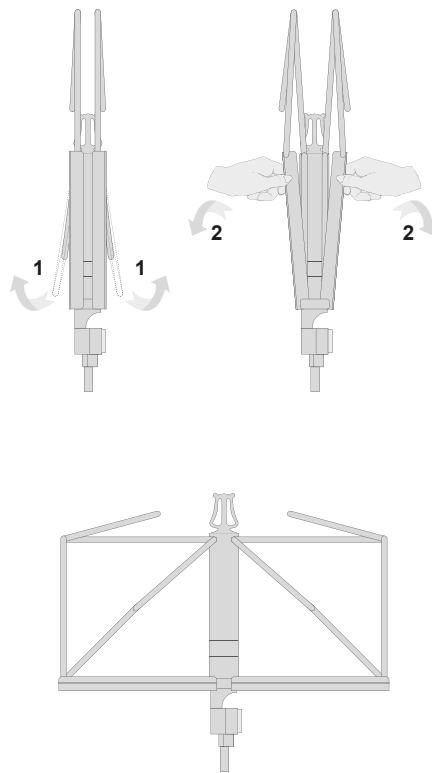
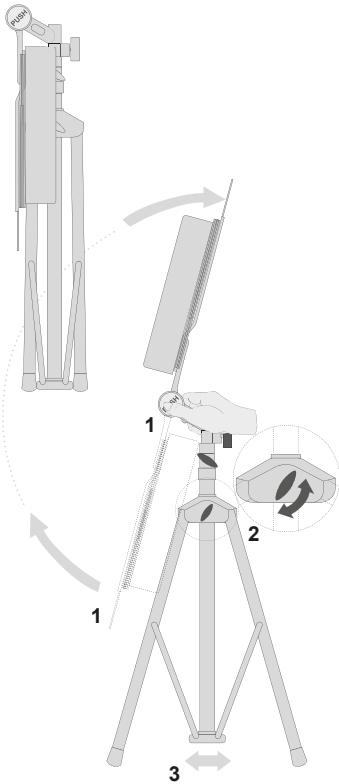




- Extra lightweight and collapsible music stand
- Locking mechanism with one-hand adjustment of the sheet holder
- Stand and sheet holder made of aluminium (non-magnetic)
- Connection parts made of plastic
- Two pieces can be extended
- Stand height: 560 mm to 1210 mm
- Total height: max. 1430 mm
- Dimensions sheet holder (W × H × D): 450 mm × 225 mm × 42 mm
- Ø when collapsed: approx. 80 mm
- Length when collapsed: approx. 510 mm
- Weight: 0.7 kg
- Colour: black
- Max. load capacity: 0.8 kg
- Transport bag included



Intended Use

This product is intended for use as collapsible music stand. Any other use is considered to be improper and may result in personal injury or property damage. No liability will be assumed for damages resulting from improper use.

Danger for children

Ensure that plastic bags, packaging, etc. are disposed of properly and are not within reach of babies and young children. Choking hazard! Ensure that children do not detach any small parts from the product. They could swallow the pieces and choke! Never let children unattended use the product.

Danger of tipping on unsuitable ground

If placed on soft or uneven ground, the product may overturn and cause injuries and property damage. Place the product on flat and solid surfaces only.

Danger of tipping due to overload

In case of overload, the product may tip over and cause injuries and property damage. Never exceed the maximum load capacity specified for the product.



Danger of pinching

When assembling the product, pay attention not to squeeze your fingers/hands.



Possible staining

The plasticiser contained in the rubber feet of this product may possibly react with the coating of your surface and after some time cause permanent dark stains. In case of doubt, do not put the rubber feet directly on the surface and use a suitable underlay if necessary, i.e. felt-pad floor protectors or similar.



For the packaging, environmentally friendly materials have been chosen that can be supplied to normal recycling. Ensure that plastic bags, packaging, etc. are properly disposed of. Do not just dispose of these materials with your normal household waste, but make sure that they are collected for recycling. Please follow the notes and markings on the packaging.