



— GLACIER —

ALL-IN-ONE CHANNEL DRAIN SHOWER SYSTEM



THE GLACIER SYSTEM

Simplicity and uncompromising function make Glacier an unrivalled choice. Designed to be level access, the drop-in Glacier Shower Tray can be quickly and easily altered on site to create a step entry access. With multiple base and screen options – Hinged, Sliding or Fixed Panel – Glacier outperforms the rest.

So go ahead, let your imagination run free. Shape your bathroom as you like. With the freedom to either tile the tray in, or leave prefinished gloss white, simply choose your shower tray size, and the glass screens to suit your space.



Two Wall Shower – Frameless Hinged Door + Ellure Walls and Shower Niche



Two Wall Shower – Sliding Screens

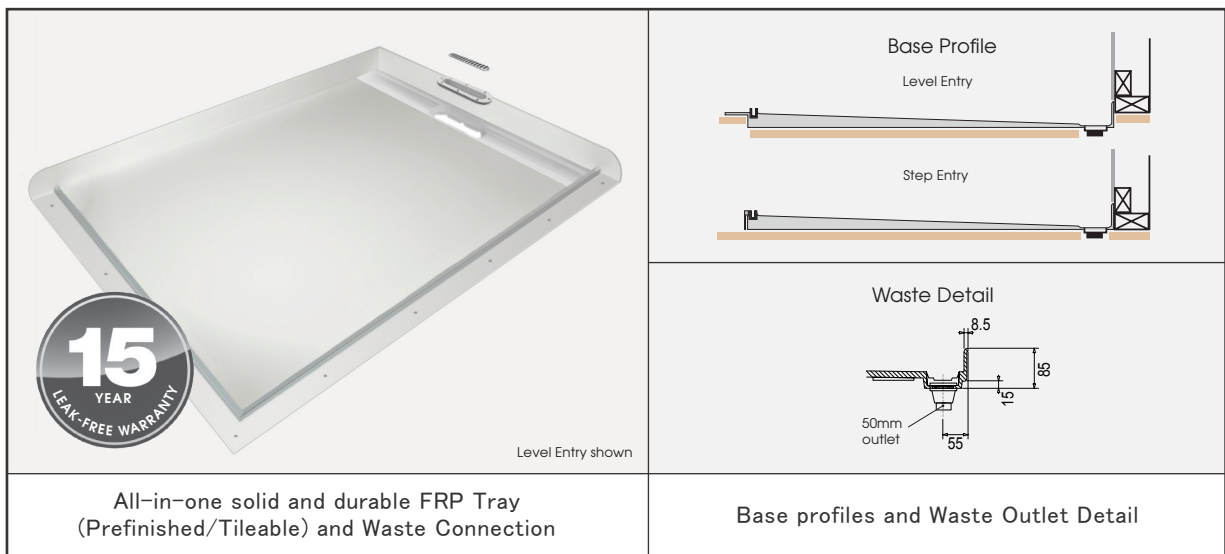


Three Wall Shower – Fixed Panel

THE GLACIER FEATURES

The Glacier System includes a waterproof tray that can be left as is – a stunning gloss white acrylic finish – or tiled to suit your bathroom design.

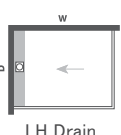
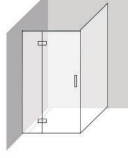
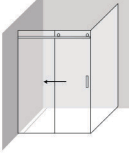
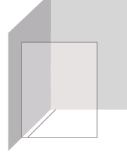
Featuring a solid, waterproof FRP (fibre-reinforced-plastic) construction, combined with a 85mm wall junction upstand for maximum watertightness, the Glacier shower truly is an all-in-one package.

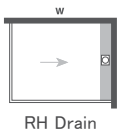
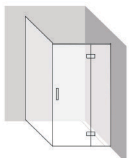
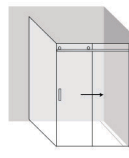



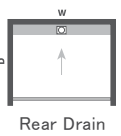


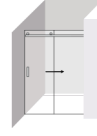
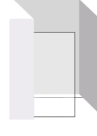

The Glacier Package includes the most premium finishes on the market – stainless steel, chrome-plated brass, and aluminium – combining to create a beautiful and durable shower.






Copy this page and send with purchase order to office@atlantis.net.nz

Two Wall Shower – Left Drain			
			
Size (W x D)	Hinged	Sliding	Fixed
900 x 900	<input type="checkbox"/> RE-2W-9X9-LH-H		
1000 x 1000	<input type="checkbox"/> RE-2W-1X1-LH-H		
1200 x 900	<input type="checkbox"/> RE-2W-12X9-LH-H	<input type="checkbox"/> RE-2W-12X9-LH-SL	<input type="checkbox"/> RE-2W-12X9-LH-FX
1200 x 1000	<input type="checkbox"/> RE-2W-12X1-LH-H	<input type="checkbox"/> RE-2W-12X1-LH-SL	<input type="checkbox"/> RE-2W-12X1-LH-FX
1400 x 1000	<input type="checkbox"/> RE-2W-14X1-LH-H	<input type="checkbox"/> RE-2W-14X1-LH-SL	<input type="checkbox"/> RE-2W-14X1-LH-FX

Two Wall Shower – Right Drain			
			
Size (W x D)	Hinged	Sliding	Fixed
900 x 900	<input type="checkbox"/> RE-2W-9X9-RH-H		
1000 x 1000	<input type="checkbox"/> RE-2W-1X1-RH-H		
1200 x 900	<input type="checkbox"/> RE-2W-12X9-RH-H	<input type="checkbox"/> RE-2W-12X9-RH-SL	<input type="checkbox"/> RE-2W-12X9-RH-FX
1200 x 1000	<input type="checkbox"/> RE-2W-12X1-RH-H	<input type="checkbox"/> RE-2W-12X1-RH-SL	<input type="checkbox"/> RE-2W-12X1-RH-FX
1400 x 1000	<input type="checkbox"/> RE-2W-14X1-RH-H	<input type="checkbox"/> RE-2W-14X1-RH-SL	<input type="checkbox"/> RE-2W-14X1-RH-FX

Three Wall (Alcove) Shower – Rear Drain Only					
					
Size (W x D)	Hinged Screens reversible	Sliding LH Fixed Panel on LH, entry on RH	Sliding RH Fixed Panel on RH, entry on LH	Fixed LH Fixed Panel on LH, entry on RH	Fixed RH Fixed Panel on RH, entry on LH
1000 x 1000	<input type="checkbox"/> RE-3W-1X1-H				
1200 x 900	<input type="checkbox"/> RE-3W-12X9-H	<input type="checkbox"/> RE-3W-12X9-SL	<input type="checkbox"/> RE-3W-12X9-SL	<input type="checkbox"/> RE-3W-12X9-FX	<input type="checkbox"/> RE-3W-12X9-FX
1200 x 1000	<input type="checkbox"/> RE-3W-12X1-H	<input type="checkbox"/> RE-3W-12X1-SL	<input type="checkbox"/> RE-3W-12X1-SL	<input type="checkbox"/> RE-3W-12X1-FX	<input type="checkbox"/> RE-3W-12X1-FX
1500 x 900	<input type="checkbox"/> RE-3W-15X9-H	<input type="checkbox"/> RE-3W-15X9-SL	<input type="checkbox"/> RE-3W-15X9-SL	<input type="checkbox"/> RE-3W-15X9-FX	<input type="checkbox"/> RE-3W-15X9-FX
1800 x 1000	<input type="checkbox"/> RE-3W-18X1-H	<input type="checkbox"/> RE-3W-18X1-SL	<input type="checkbox"/> RE-3W-18X1-SL	<input type="checkbox"/> RE-3W-18X1-FX	<input type="checkbox"/> RE-3W-18X1-FX

Optional Extras						
						
Acrylic Liner	Simply White Ellure Walls			Shower Niches		
2 Wall & 3 Wall	2 Wall		3 Wall		Tiled	Retrofit
ALL SIZES <input type="checkbox"/> LINER-GL	900-1200mm WIDE <input type="checkbox"/> ELL-WPP-2	900-1200mm WIDE <input type="checkbox"/> ELL-WPP-7	1800mm WIDE <input type="checkbox"/> ELL-WPP-12	340x340mm <input type="checkbox"/> RE-PS	Prefinished White 400x300mm <input type="checkbox"/> RE-RF	
	1400mm WIDE <input type="checkbox"/> ELL-WPP-4	1500mm WIDE <input type="checkbox"/> ELL-WPP-10	(3mm aluminium waterproofing joinder strip required on rear panel [supplied])			

Bathroom Happiness™

Visit www.reece.co.nz for your nearest bathroom showroom.

Due to limitations in the printing process the colours in this brochure are a guide only. The manufacturer/distributor reserves the right to vary specifications or delete models from their range without prior notification. The manufacturer/distributor takes no responsibility for printing errors. The Glacier shower base is covered by a 15 year product replacement warranty and five year hardware warranty – domestic use only. Warranty is subject to conditions of use. Details supplied with product.

V2 [BROCHURE CODE 9508173]

