

TERMINAL HARDWARE

S700 Accessories Design Files - Mechanical Usage Guidelines

Reader S700 & Accessories



Reader S700



Reader S700
Dock



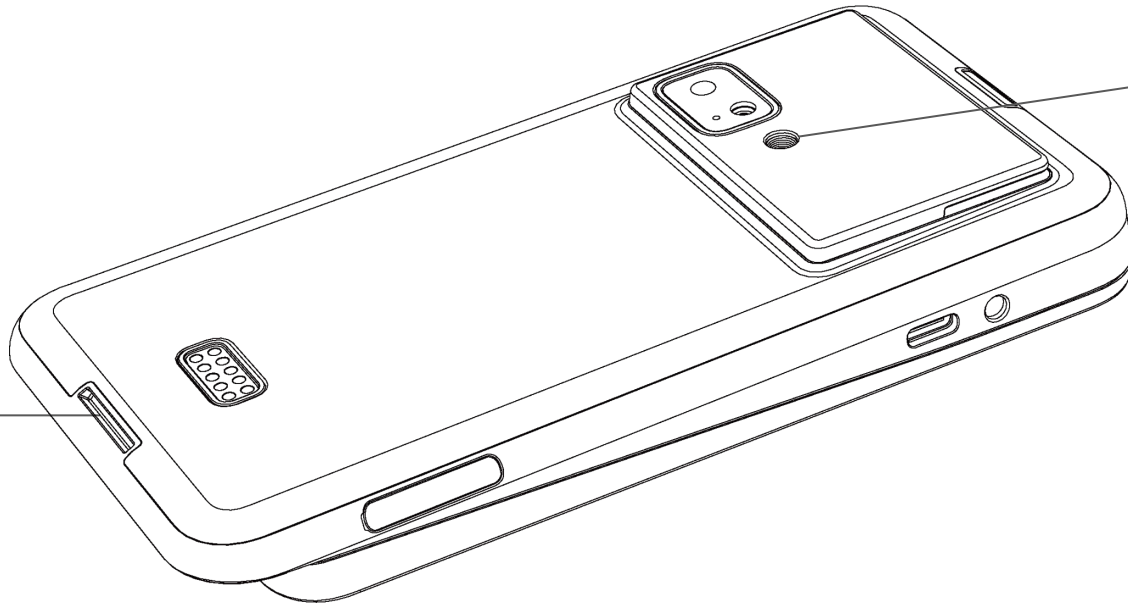
USB Ethernet
Hub



Protective
Case

Reader S700

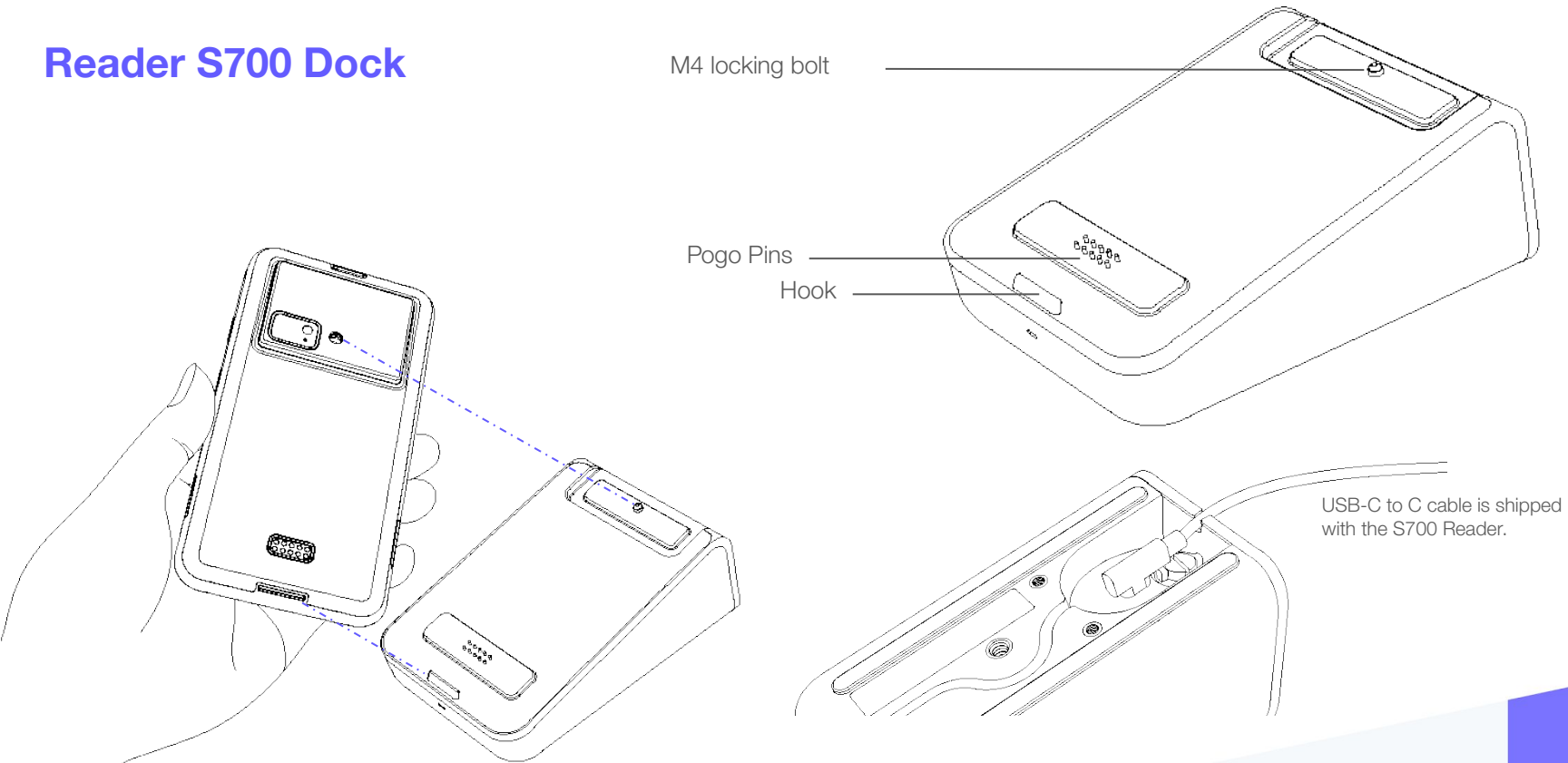
Slot for sitting on the hook of the S700 Dock



M4 lock nut for locking S700 to the S700 Dock.

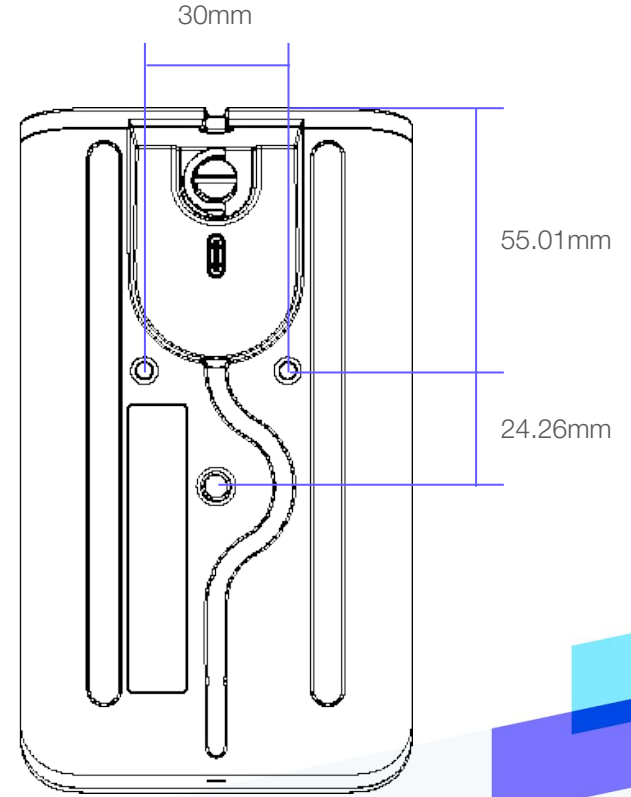
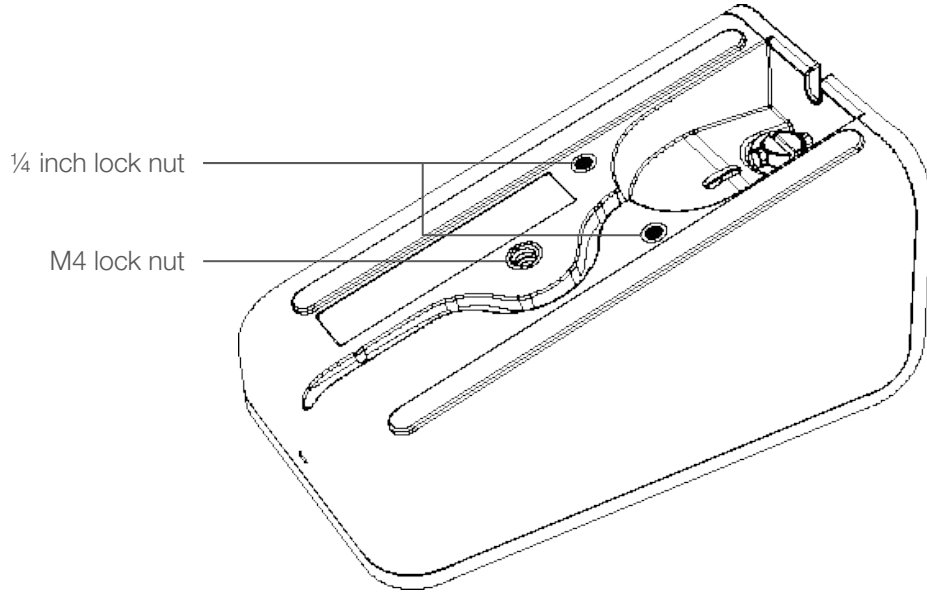
⚠ NOT an attachment point with other accessories. Misuse may cause damage to the reader.

Reader S700 Dock



Reader S700 Dock

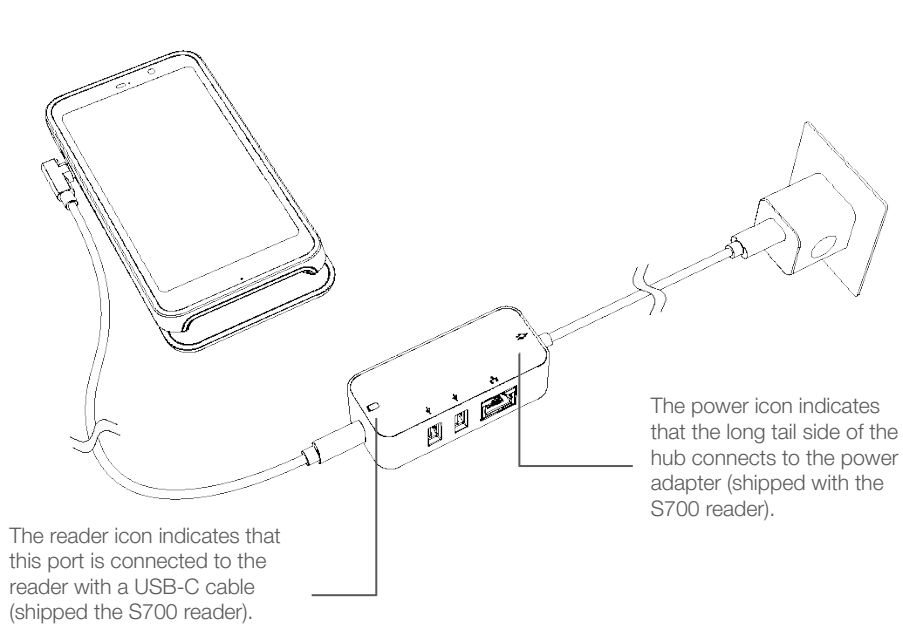
Three nuts at the bottom are designed as attachment points for user to integrate the S700 Dock into their hardware solution.



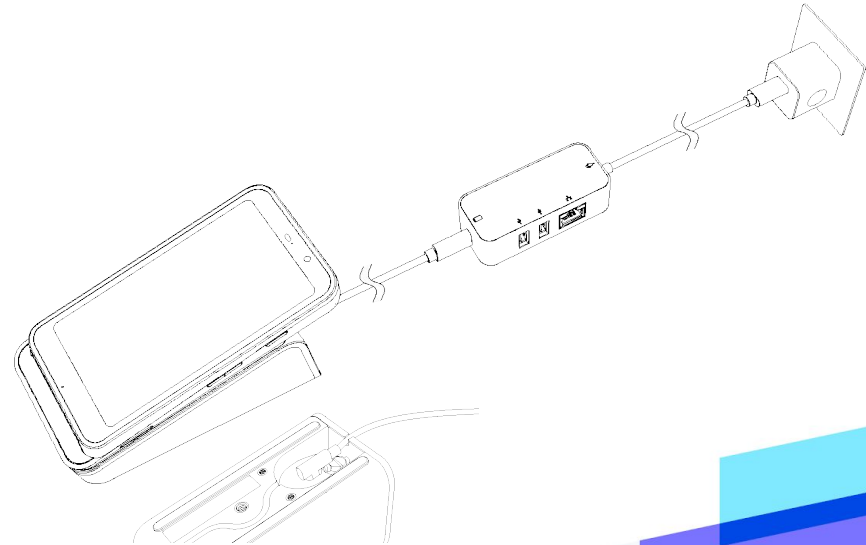
x,y distance of the nuts

USB Ethernet Hub

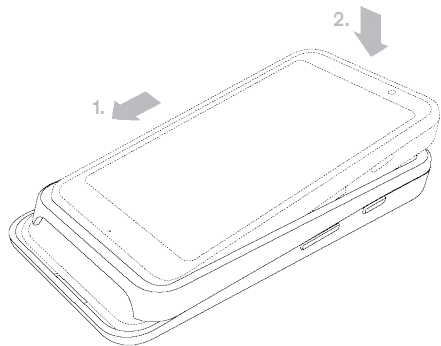
Hub connection without Dock



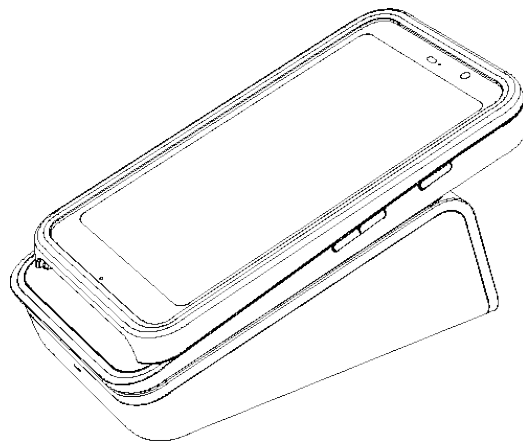
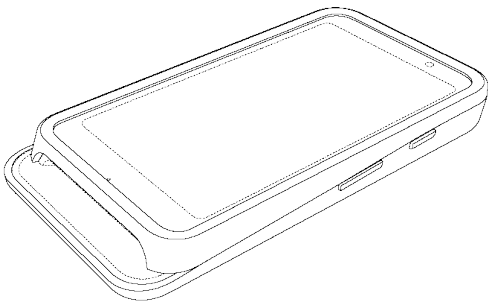
Hub connection with Dock



Protective Case



1. Insert the device into the top side of the protective case.
2. Push the device down and forward until it's fully in the case.



S700 Reader with the protective case is compatible with the dock.