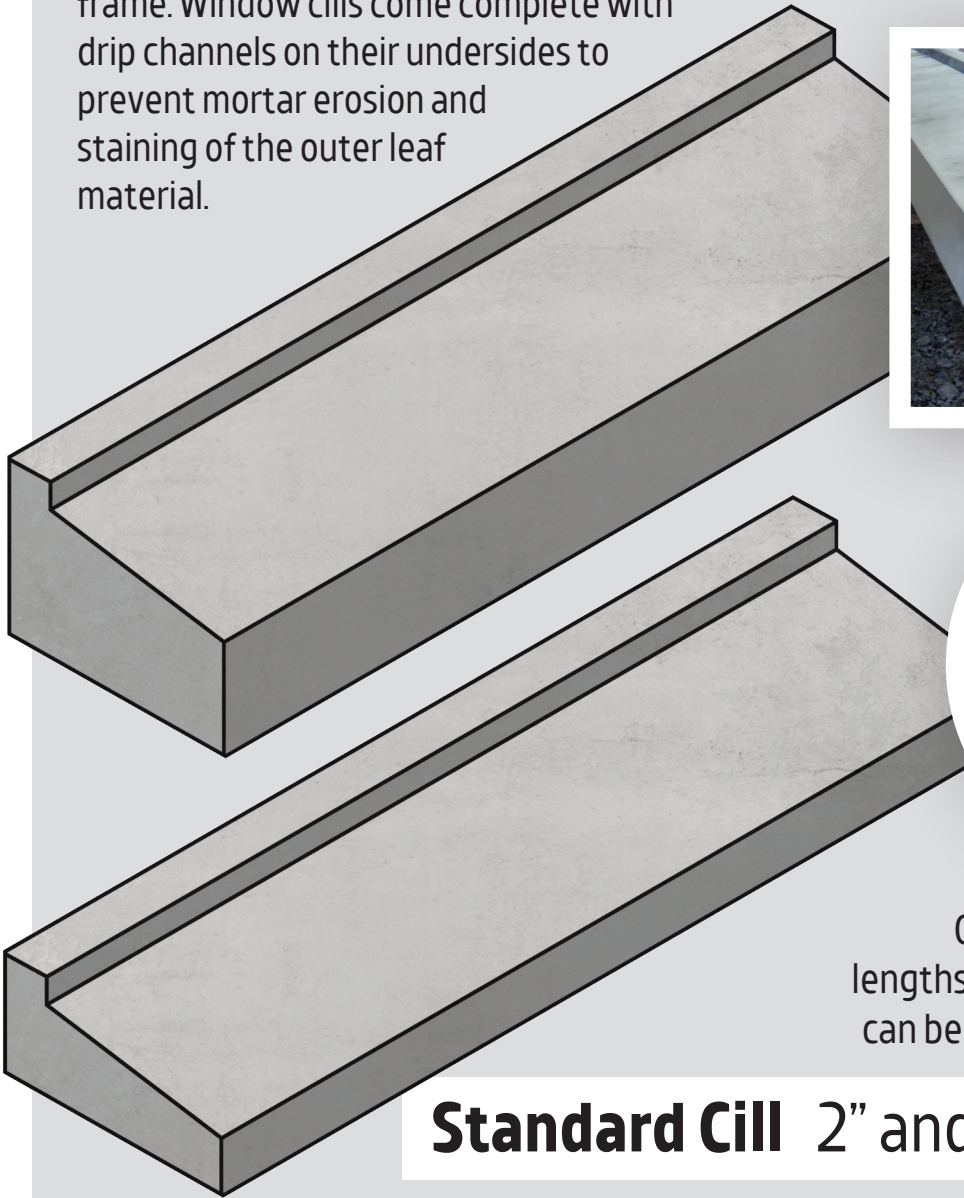


Cills

Window cills provide the structure seating for window frames which prevent water from ingress, and are sloped outwards to direct rainwater away from the window frame. Window cills come complete with drip channels on their undersides to prevent mortar erosion and staining of the outer leaf material.



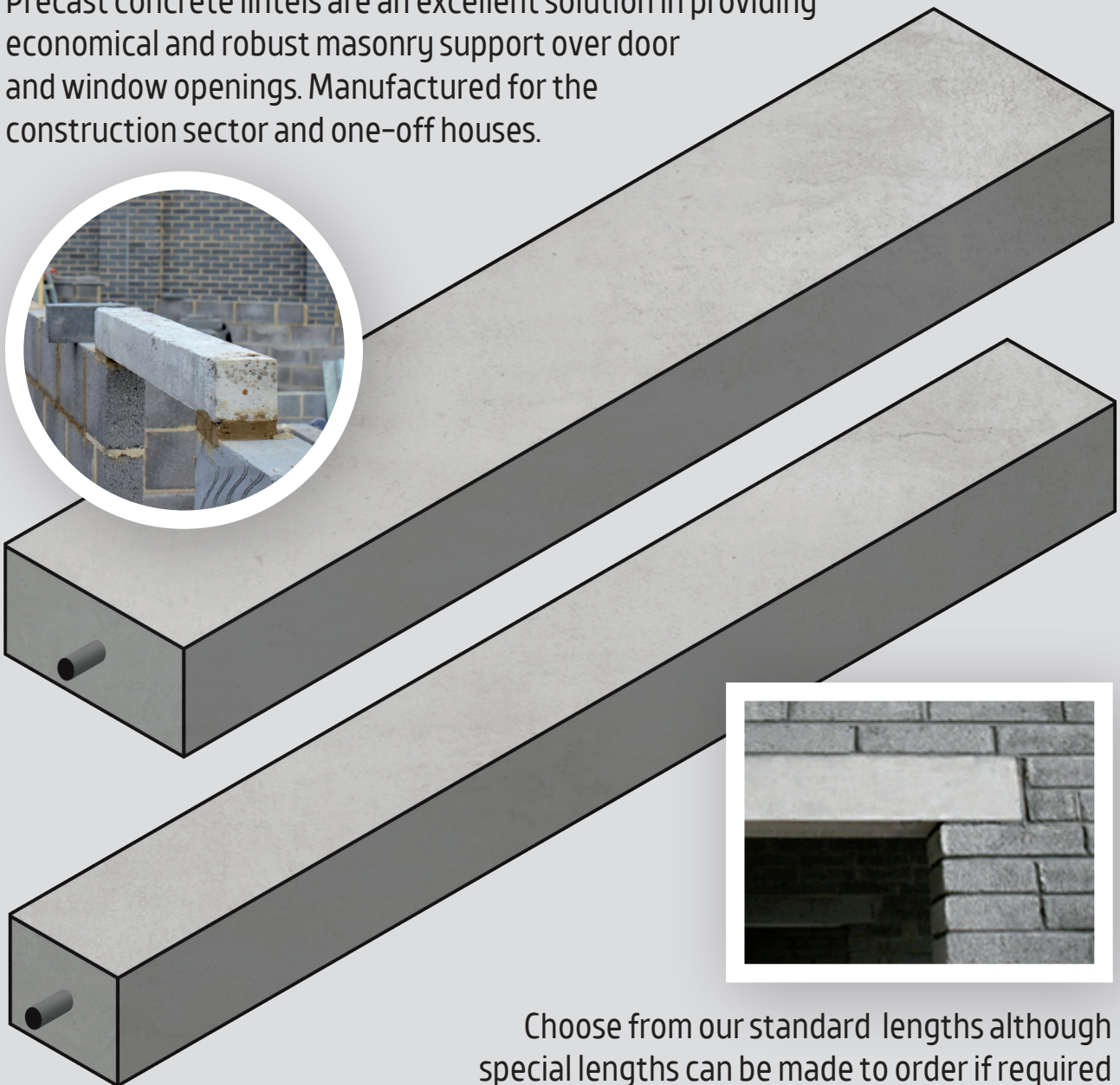
Choose from our standard lengths although special lengths can be made to order if required

Standard Cill 2" and 4" Deep Face

Timber Frame Cill 2" and 4" Deep Face

Lintels

Precast concrete lintels are an excellent solution in providing economical and robust masonry support over door and window openings. Manufactured for the construction sector and one-off houses.



Choose from our standard lengths although special lengths can be made to order if required

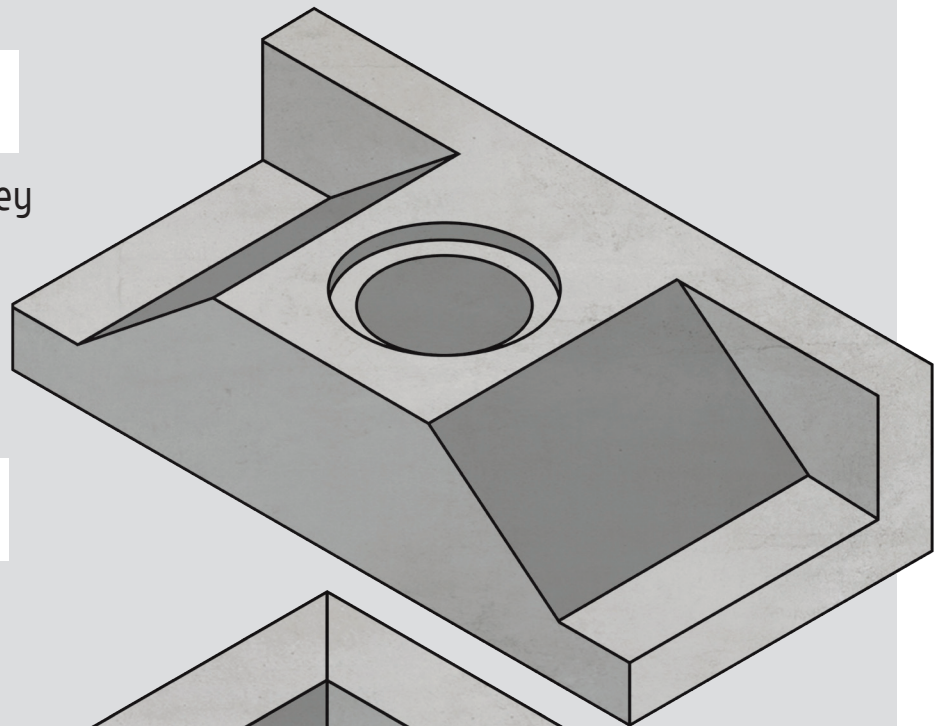
Standard Lintels 4" x 3" and 6" x 3"

Chimney Products

At Central Precast, our precast concrete chimney caps and flue retainers allow for the speedy construction of a high quality and safe chimney system. The flue retainer creates a way to transition from the size and shape at the opening at the top of the fireplace cavity to the reduced diameter of the chimney flue itself.

Flue Retainers

Our precast concrete chimney flue retainers provide the perfect interface between flue and fireplace.



Chimney Caps

Our precast chimney caps are made with reinforced steel.

Single Size

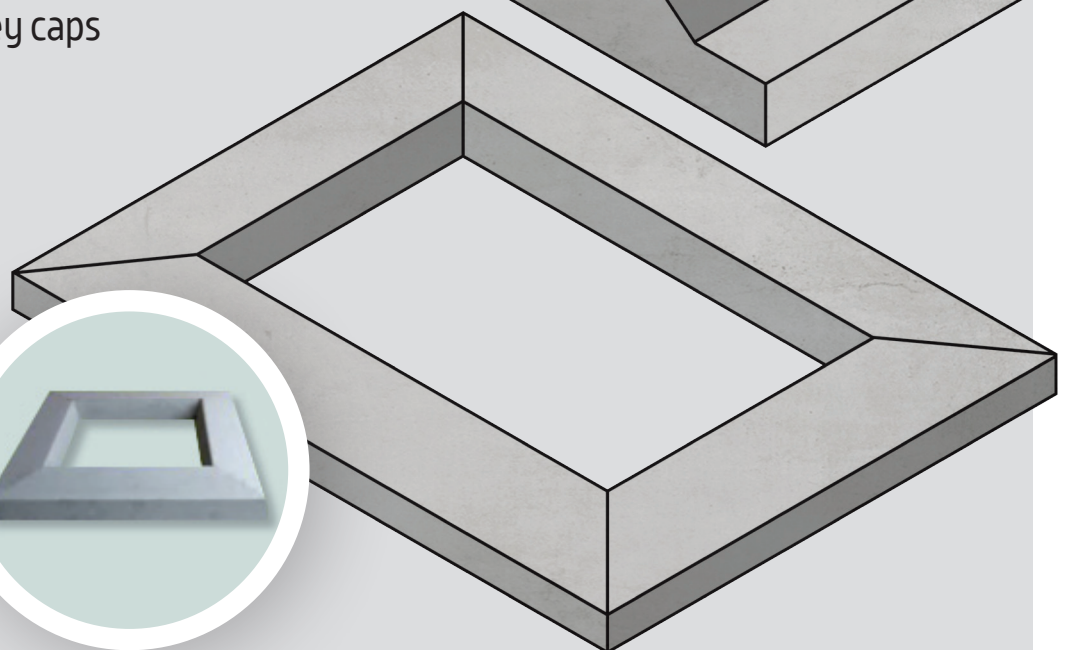
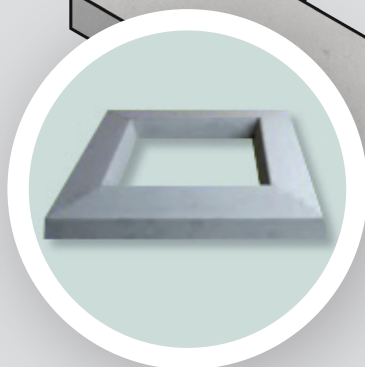
28" x 28"

Double Size

42" x 28",

46" x 28"

and 50" x 28".

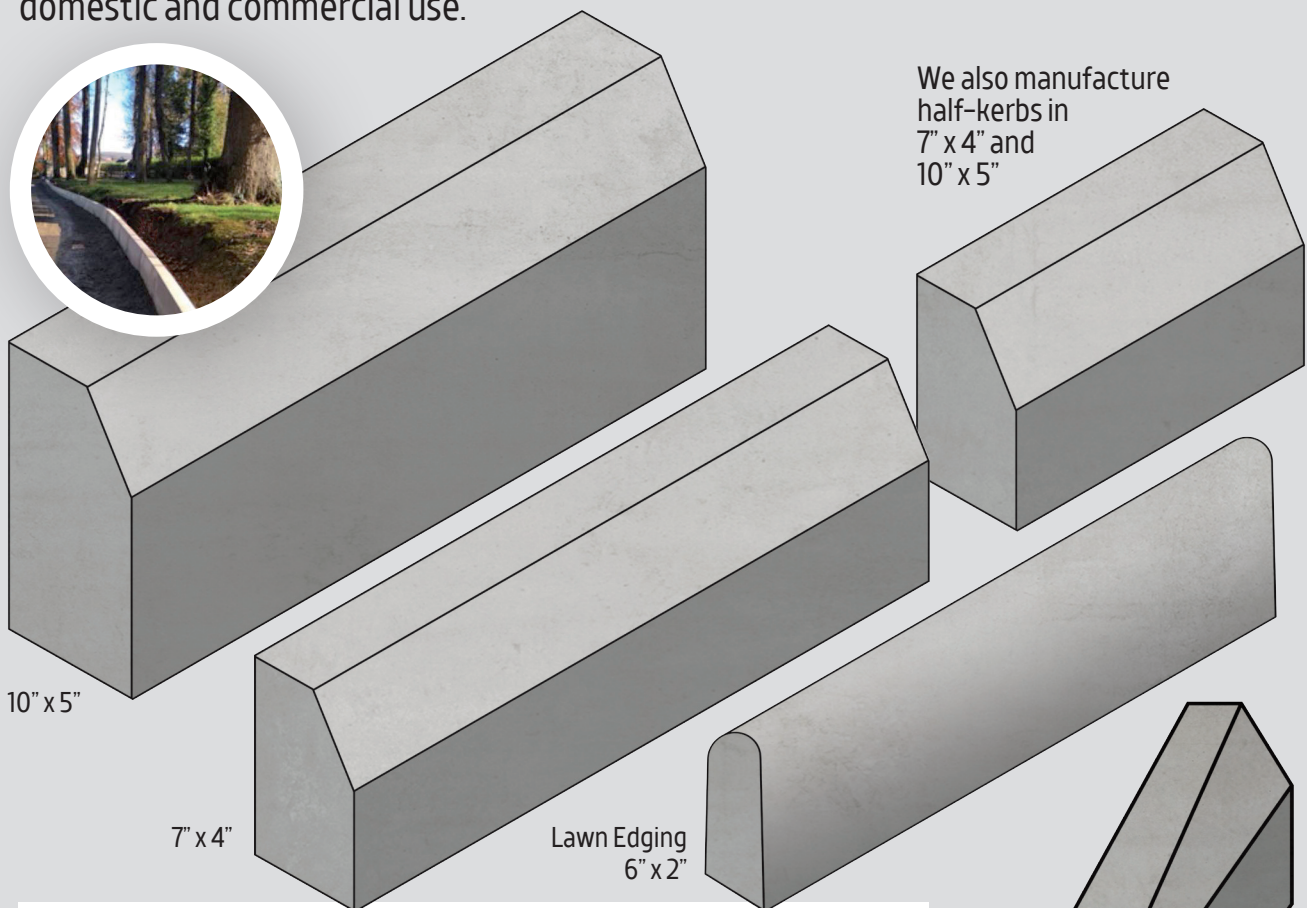


Kerbs

Central Precast's range of kerbing and edging are the perfect way to finish off your driveway and garden. The kerb is an integral part of urban design separating surfaces and providing physical visual delineation. All kerbing products are suitable for both domestic and commercial use.



We also manufacture half-kerbs in 7" x 4" and 10" x 5"



10" x 5"

7" x 4"

Lawn Edging
6" x 2"

Road Kerbs 10" x 5" and 7" x 4"

Drop Kerbs to suit 10" x 5"

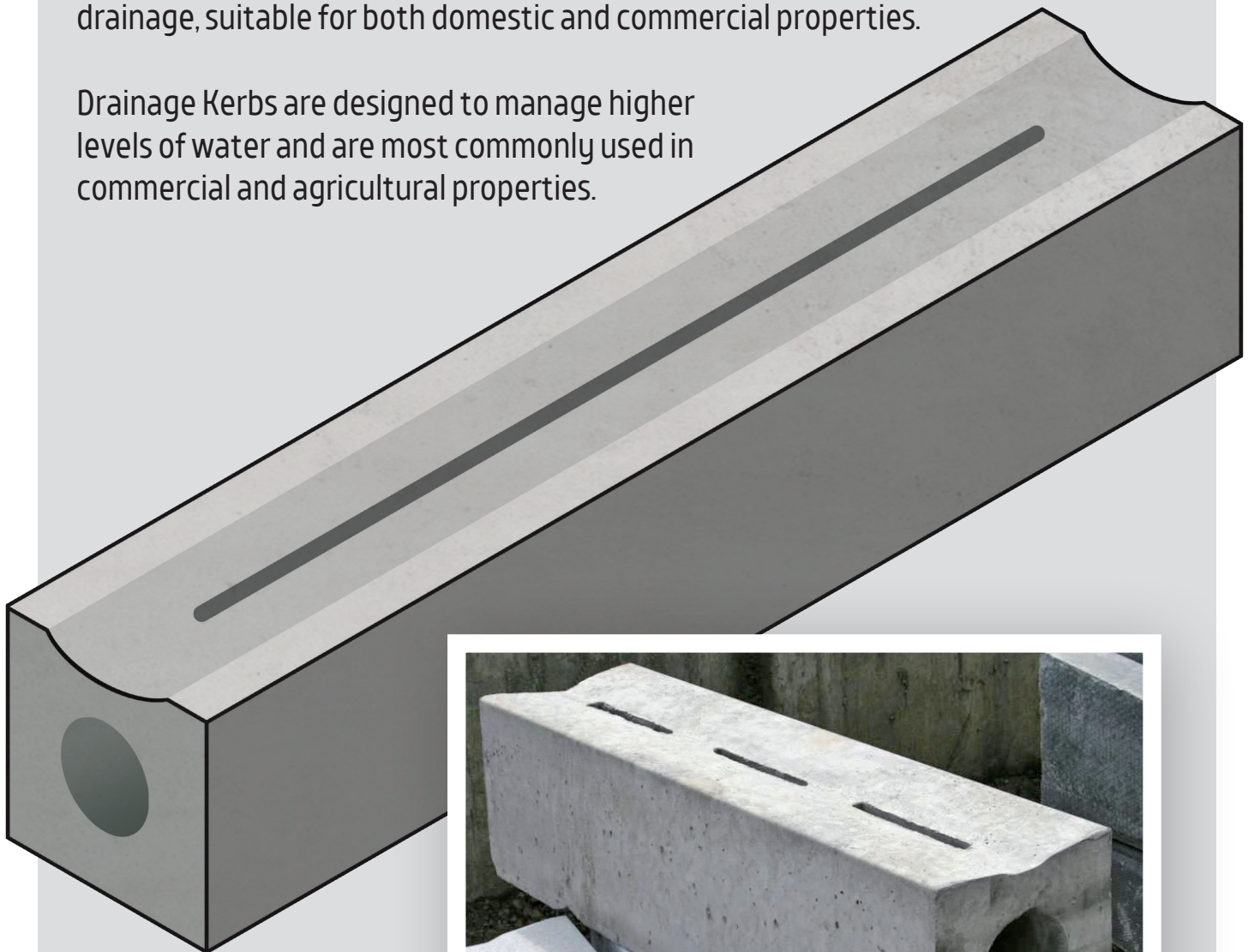
Bull Nose Lawn Edgings 6" x 2"

Drop-kerbs available to suit 10" x 5"

Drainage Kerbs

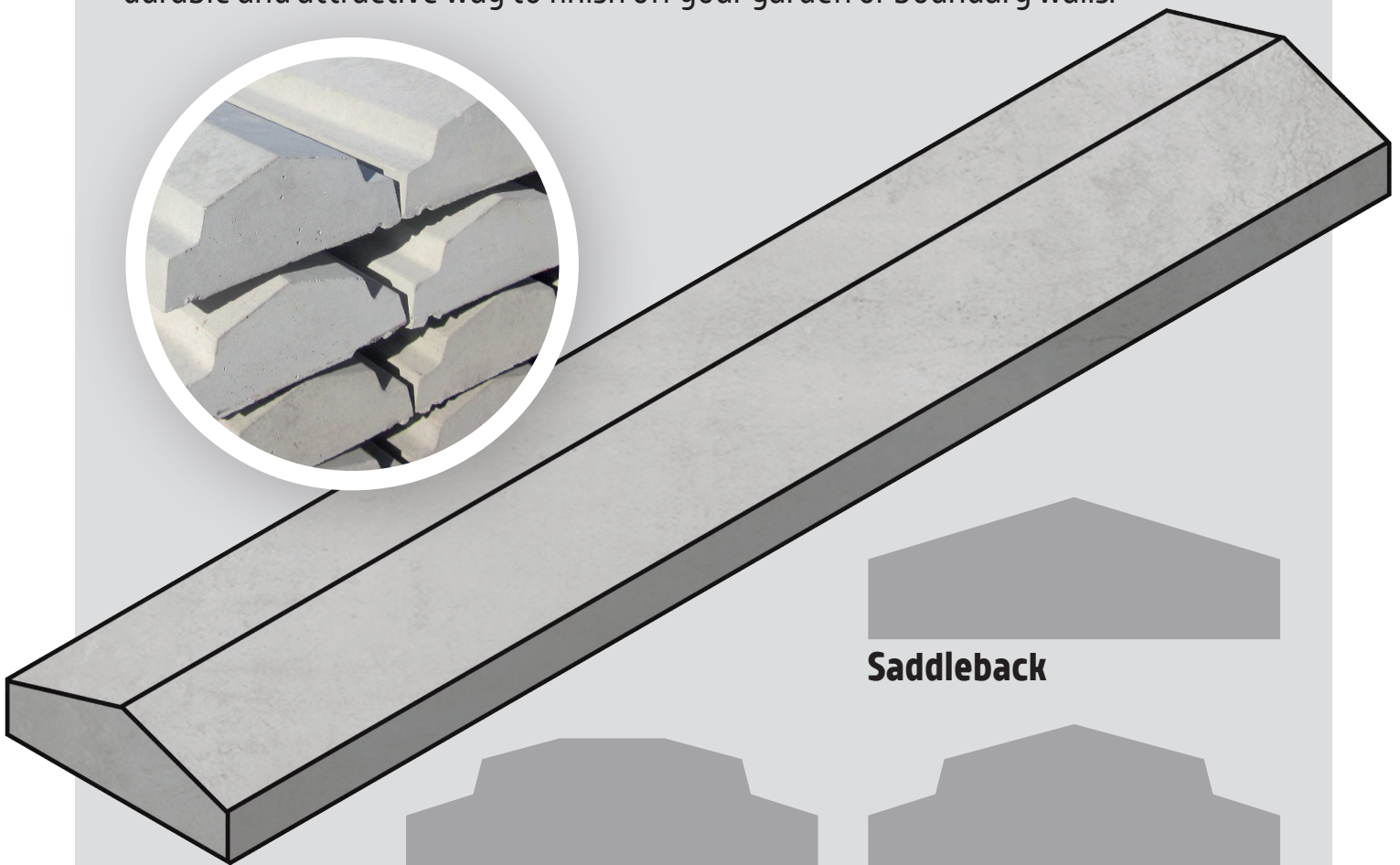
As well as standard garden kerbs we also produce kerbs specifically designed for drainage, suitable for both domestic and commercial properties.

Drainage Kerbs are designed to manage higher levels of water and are most commonly used in commercial and agricultural properties.



Wall Cappings

Central Precast offer a wide range of sizes and types of wall cappings all made to the highest and relevant standards. Our wall and pier caps are an affordable, durable and attractive way to finish off your garden or boundary walls.



Two Tier Flat 13"



Saddleback



Two Tier 7" and 9"

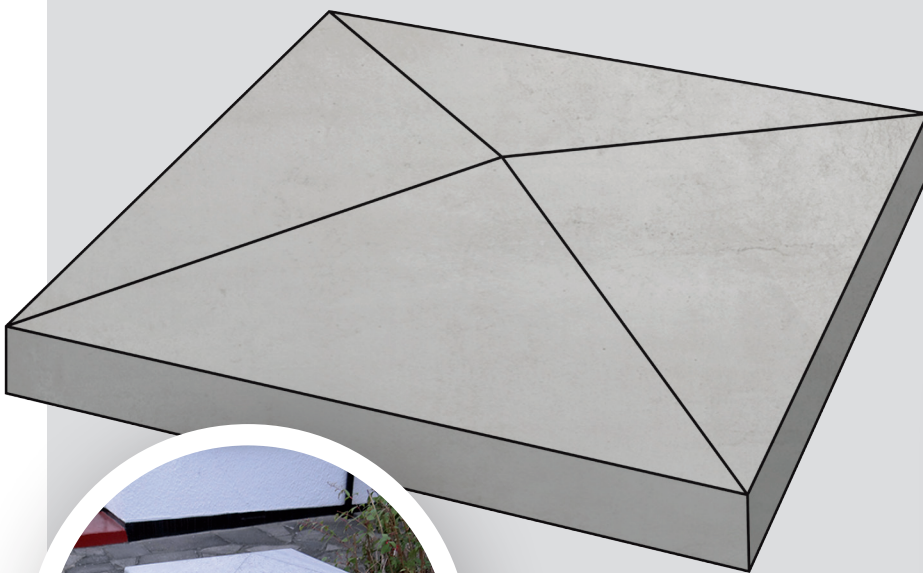
Saddleback 7", 9" and 13"

Two Tier 7", 9" and 13"

Choose from our standard sizes although special sizes can be made to order if required

Pier Cappings

Central Precast offer a wide range of sizes for piers, all of which are durable, attractive and made to the highest standards. Most of our pier caps peak in the middle and let the rainwater run off in four directions, although we do have a flat pier cap available as an alternative to the standard cap.



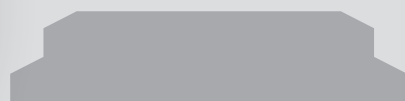
Standard Saddleback



Two Tier 22" x 22"



Two Tier with Ball



Two Tier Flat 22" and 24"



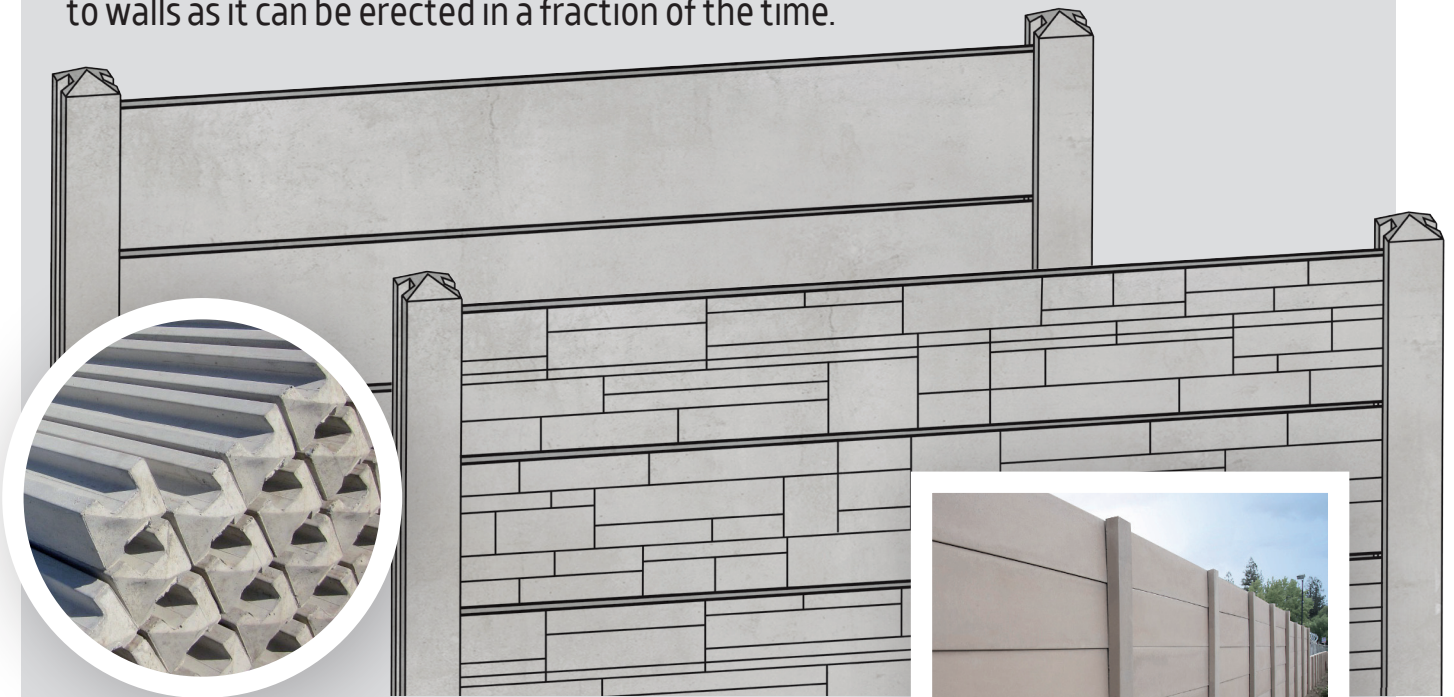
Standard Saddleback 22" x 22" and 27" x 27"

Two Tier/with Ball 22", 24" and 30"

Two Tier Flat without Ball 22", 24" and 30"

Fencing Products

Central Precast manufacture a wide range of concrete fence products suitable for domestic and commercial market. Concrete fencing is fitted using h-type concrete posts which allow panels slide down a track into position. Subsequent concrete panels are stacked to desired height. All posts and concrete panels are reinforced with steel to ensure maximum strength and durability. This is a fast and economical alternative to walls as it can be erected in a fraction of the time.



Choose from our standard sizes although special lengths can be made to order if required

Plain Panel 1800mm x 300mm

Rock Face Panel 1830mm x 300mm

Slotted H-Posts 8ft, 9ft and 10ft lengths