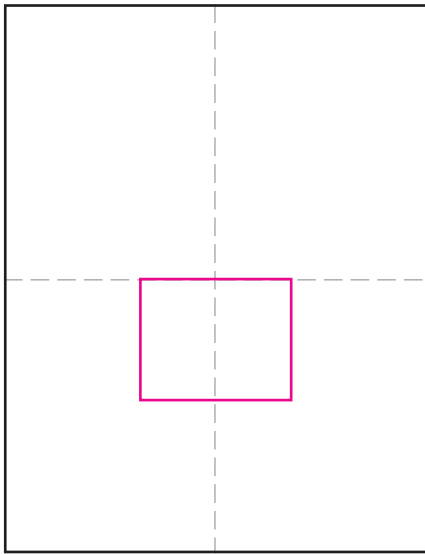


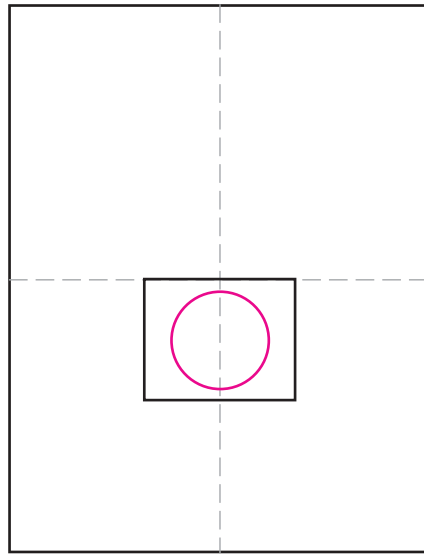
# How to Draw Big Ben

\*Denotes a Common Core Standard

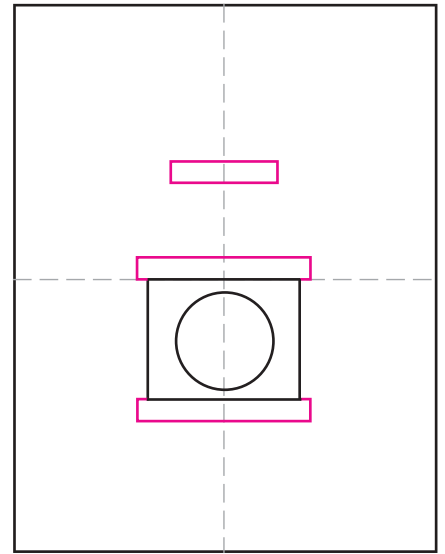
© www.artprojectsforkids.org



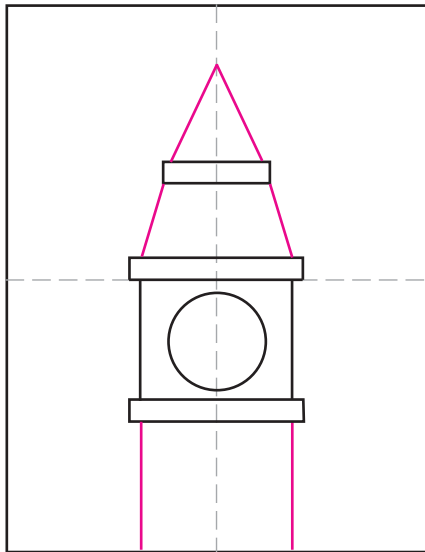
1. Draw a square.



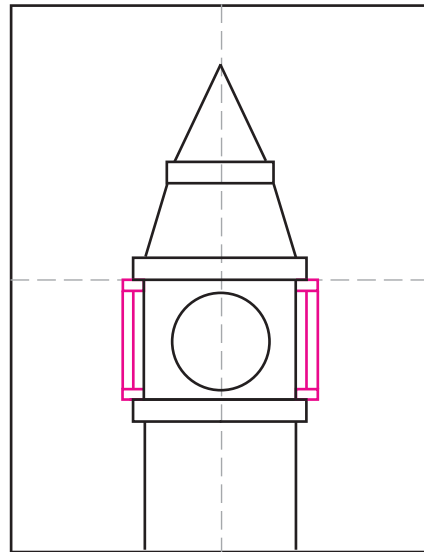
2. Draw a circle inside.



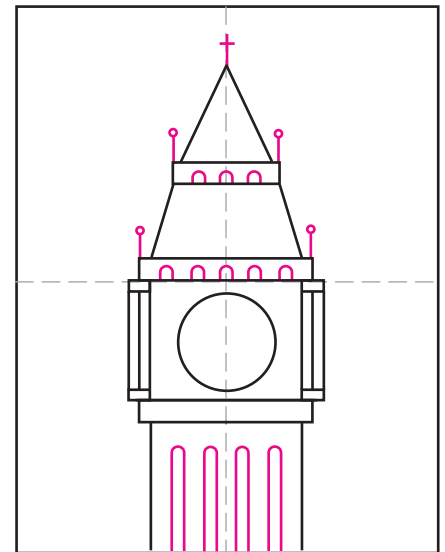
3. Add three rectangles.



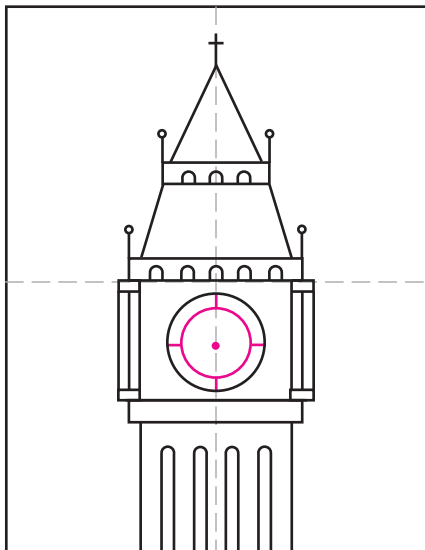
4. Draw the sides of the tower.



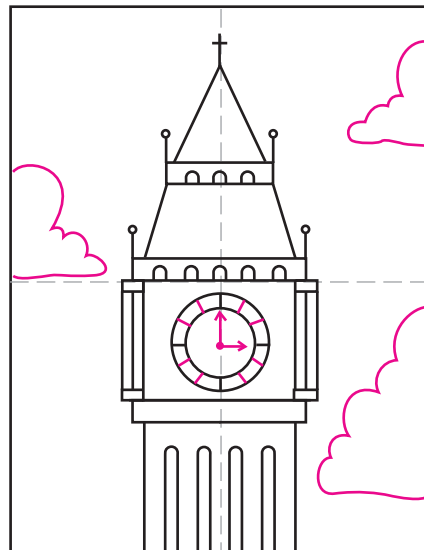
5. Add lines and boxes and shown.



6. Draw tower details.



7. Draw smaller circle and lines.\*  
\*Divide circle into quarters.



8. Finish the clock. Add clouds.  
\*Diagram analog time.



9. Trace and color the drawing.

# How to Draw Big Ben

