



Automatic 2000

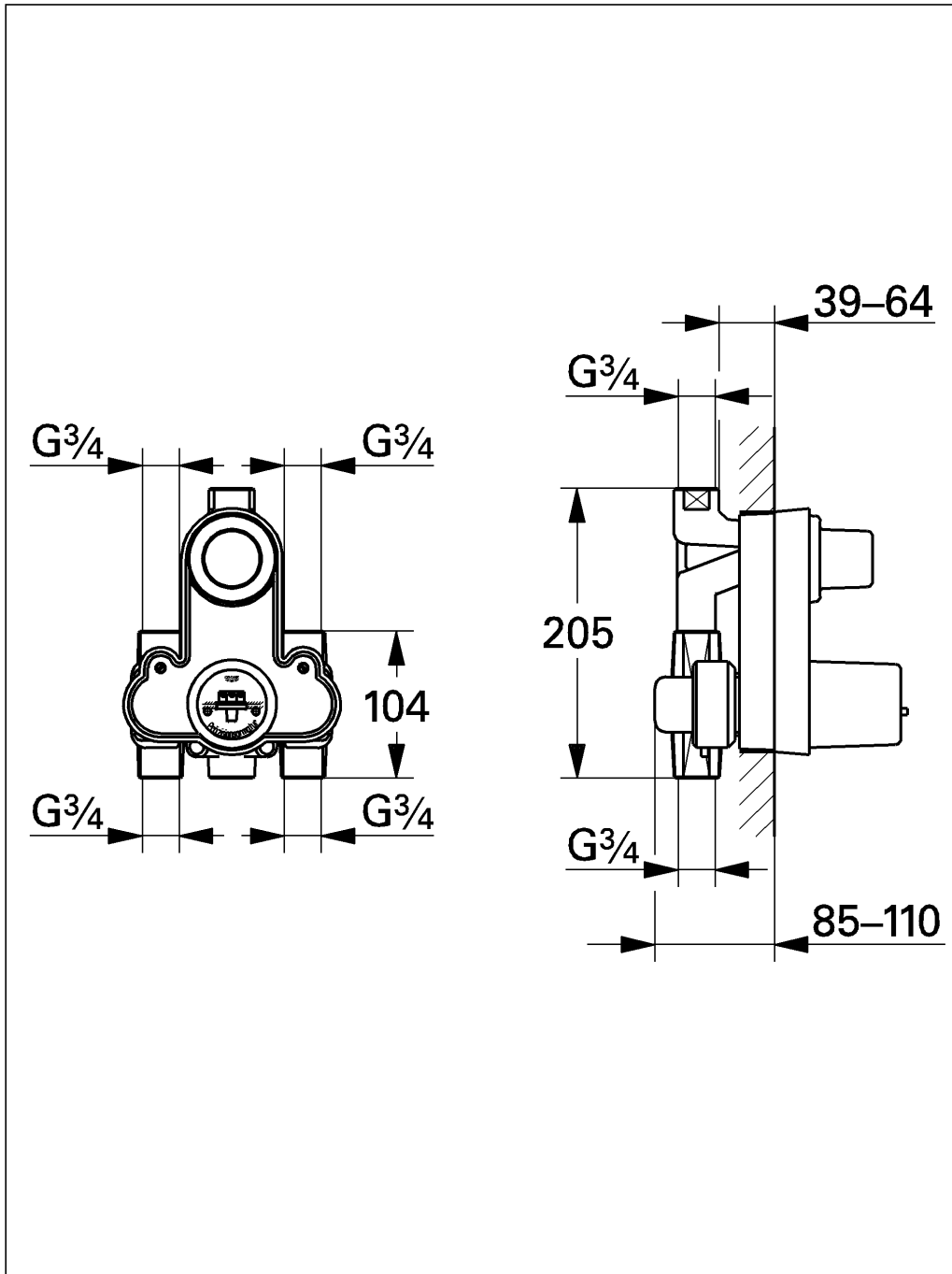


34 963

D Seite 1

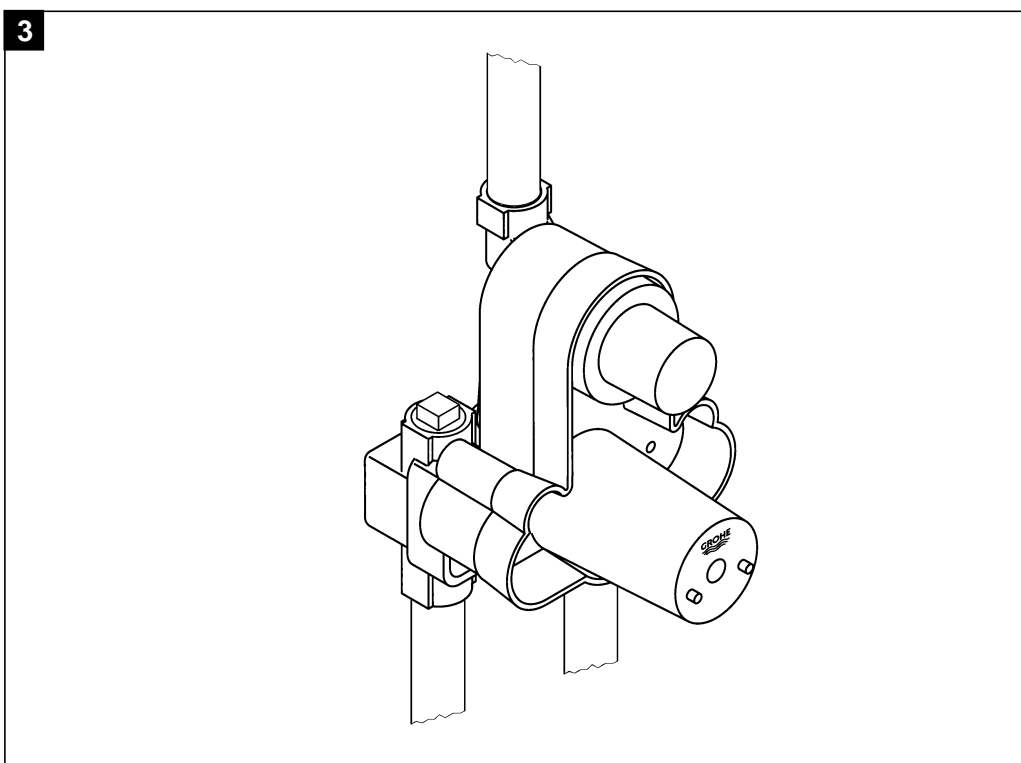
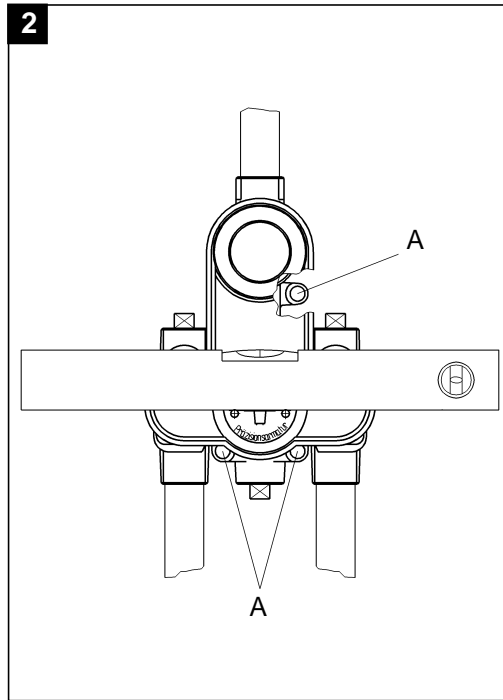
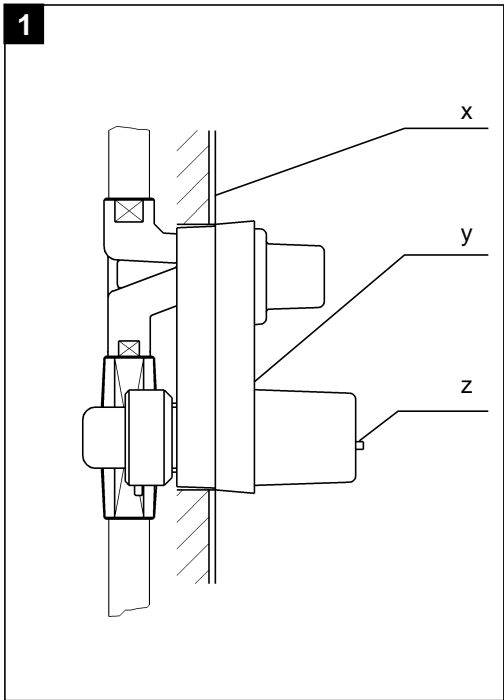
GB Page 2





Bitte diese Anleitung an den Benutzer der Armatur weitergeben!
Please pass these instructions on to the end user of the fitting.
S.v.p remettre cette instruction à l'utilisateur de la robinetterie!







Introductory information

This thermostat mixer is designed for hot water supplies from low pressure storage heaters and offers the highest temperature accuracy when used in this way.

An additional shut-off device is necessary if the lower outlet is to be used.

Thermostat mixers cannot be used in conjunction with unpressurized storage heaters (displacement water heaters).

All thermostat mixers are adjusted at the factory at the same flow pressure on both sides.

Technical Data

Minimum flow pressure	0.1 bar
Max. operating pressure	3 bar
Recommended flow pressure	0.1 - 2 bar
Test pressure	16 bar
Max. water temperature at hot water inlet	80 °C
Recommended max. flow temperature (for energy saving)	60 °C
Safety stop	38 °C
Hot water temperature at supply connection min. 2 °C higher than mixed water temperature.	
Hot water connection - W - (-H)	Marking red = left
Cold water connection - K - (-C)	Marking blue = right
Flow rate at 1 bar flow pressure	37,5 l/min
Minimum flow rate	5 l per min

At flow pressures above 2 bar, we recommend installing a pressure reducer in the supply pipe or installing a hot water seat, available as special accessory (order ref. no. 47 465) for high pressure above 3 bar.

Preliminary installation

Preliminary installation

- Prepare wall ready for mixer.
- Observe the installation depth in accordance with the instructions given on the mounting template, see Fig. [1].

x = Face of tiles
y = Front face of mounting template
z = Resting point for spirit level

- Align the mixer horizontally, vertically and parallel to the wall, see Fig. [2] (place a spirit level on the cams or face of the mounting template).
- Install concealed thermostat mixer module in wall, see Fig. [3]. The housing is provided with pre-drilled holes (A) to facilitate mounting the fitting to the wall for piping up, see Fig. [2].
- **Do not solder the connections between the pipelines and housing**, otherwise the built-in non-return valves may be damaged.
- Seal the open outlet and open connections with screw plugs supplied.

Note!

The hot water supply must be connected on the left [marked red - W - (H) on housing] **and the cold water supply on the right** [marked blue - K - (C) on housing], **as viewed from the operating position.**

Flush pipe lines thoroughly.

Test the pipelines and concealed thermostat module connections for leaks.

Plaster and tile the wall.

Prevention of frost damage

When the domestic water system is drained, the thermostat mixers must be drained separately, since non-return valves are installed in the hot and cold water connections.

The complete thermostat assembly and non-return valves must be unscrewed and removed.

