

Job:  
 Location:  
 Schedule No.:  
 System Designation:

Engineer:  
 Architect:  
 Location:  
 Date:

For: Reference Approval Review Construction

**VRF Low Ambient Cooling Kit (19H01)**

**FEATURES**

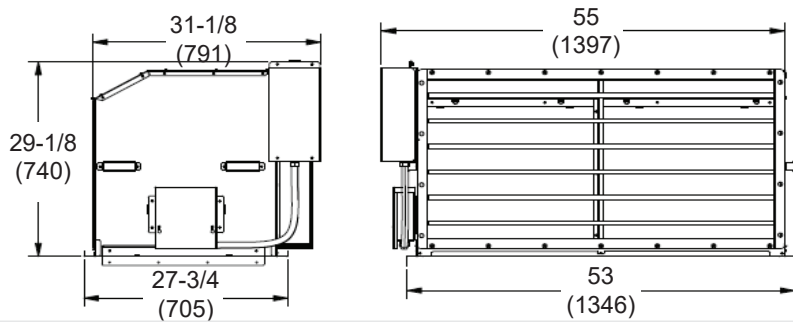
- Compatible with 6 - 10 Ton XUEXUOA U-ø[ ] Units
- Extends cooling operation range
- Damper Motor Ô[ ] d[ ]

**HAIL GUARD SPECIFICATIONS**

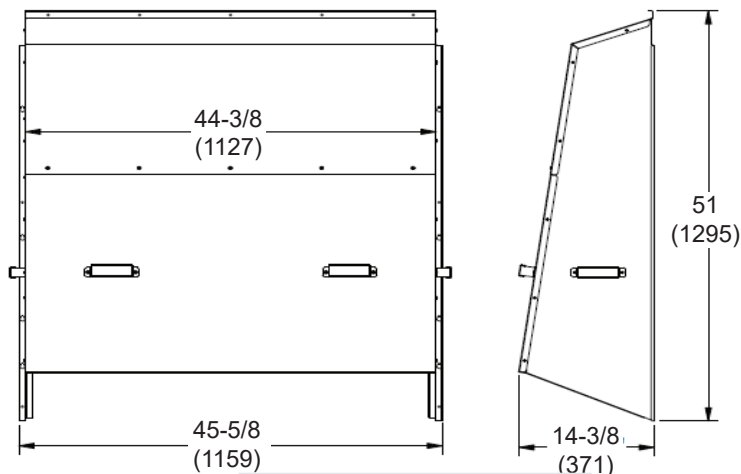
Shipping Dimensions (in.)	
V8LACK01-3P for 6- 10 Tons (L x W x H)	74 x 39 x39
Shipping Weight (lbs.)	
V8LACK01-3P for 6- 10 Tons	250
Hood Assembly Dimensions	
Height (In.)	29-1/8
Width (In.)	53
Depth (In.)	31-1/8
Rear Wind Deflector Dimensions	
Height (In.)	51
Width (In.)	45-5/8
Depth (In.)	14-3/8
Side Wind Deflectors Dimensions	
Height (In.)	51
Width (In.)	23
Depth (In.)	14-3/4



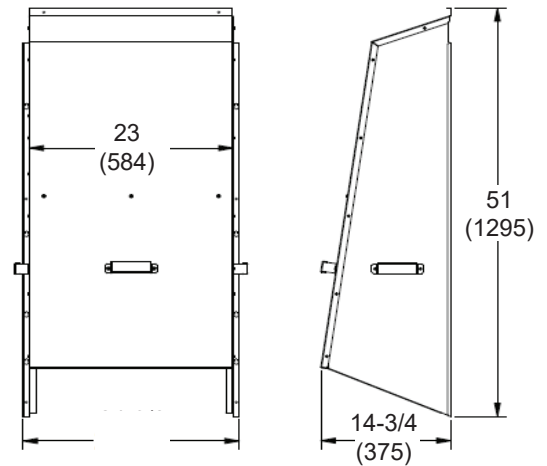
**Dimensional Drawing - Inches (MM)**



**Low Ambient Cooling Hood Assembly with Damper & Control Box (1) LAKA-1**



**Rear Wind Deflector (1) LAKA-2**



**Side Wind Deflectors (2) LAKA-3**

NOTE - Due to Lennox' ongoing commitment to quality, Specifications, Ratings and Dimensions subject to change without notice and without incurring liability. Improper installation, adjustment, alteration, service or maintenance can cause property damage or personal injury. Installation and service must be performed by a qualified installer and servicing agency.

Job:  
 Location:  
 Schedule No.:  
 System Designation:

Engineer:  
 Architect:  
 Location:  
 Date:

For: Reference Approval Review Construction

**VRF Low Ambient Cooling Kit (19H01)**

**Connection Diagram**

