

Job:
 Location:
 Schedule No.:
 System Designation:

Engineer:
 Architect:
 Location:
 Date:

For: Reference Approval Review Construction

3x3 Ceiling Cassette Indoor Unit

FEATURES

- Pre Heat Function
- Auto Addressing
- Auto Restart
- Integral Condensate Pump
- Electronic Expansion Valve
- 360° Air Distribution
- Flare Connections
- LED Display
- High-Efficiency DC Motor
- Four Built-In Dry Contacts
- Refrigerant R-410A
- Eight Capacity Sizes from 9,000 to 48,000 Btu/h

WARRANTY

- 10-year limited warranty.*See warranty for details.

SPECIFICATIONS

PERFORMANCE

Cooling Capacity ¹ (Btu/h)		12,000
Heating Capacity ¹ (Btu/h)		13,600
Airflow (CFM)	Low/Medium/High	390/460/560
External Static Pressure (in. w.g.)		0-0.12
Sound (dBA)	Low/Medium/High	34.9/37.9/42.7

ELECTRICAL DATA

Power Supply (Volts/Hertz/Phase)		208-230/60/1
Minimum Circuit Ampacity (MCA) (A)		0.91
Maximum Overcurrent Protection (MOP) (A)		15
Cooling Power Input ² (W)		39
Cooling Rated Current (A)		0.40
Heating Power Input ² (W)		33
Heating Rated Current (A)		0.45
Indoor Fan Motor Input (W)		54

DIMENSIONS

Unit Dimensions (in)	Width	33-1/8
	Height	9
	Depth	33-1/8
Diffuser Panel Dimensions (in)	Width	37-3/8
	Height	1-3/4
	Depth	37-3/8
Liquid Pipe Connection (in)		1/4
Gas Pipe Connection (in)		1/2
Drain Connection (in) (O.D.)		1-1/4
Net Weight (lb)		54
Shipping Weight (lb)		71
Diffuser Panel Shipping Weight (lb)		17.4



OPTIONAL ACCESSORIES

Non-Programmable Controller	V0STAT54P-3
Programmable Wired Controller	V0STAT51P-3
Infrared Wireless Controller	V0STAT52P-1
Occupancy Sensor	V0SNSR78P-3
HHE Relay Kit	V0CTRL92P-3
Hotel Keycard Interface	V0CTRL88P-1

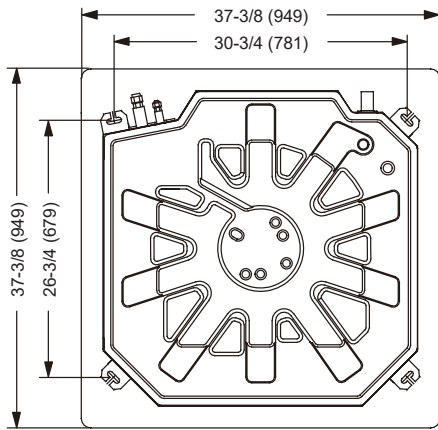
NOTES

1. Cooling and Heating capacity data is rated at the following conditions:
 Cooling: 80°FDB / 67°FWB Indoor, 95°FDB
 Outdoor Heating: 70°FDB Indoor, 47°FDB / 43°FWB Outdoor.
2. Power Input values are rated at high fan speed.

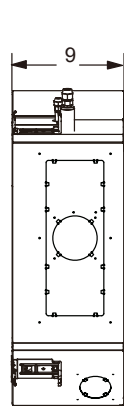


NOTE – Due to Lennox' ongoing commitment to quality, Specifications, Ratings and Dimensions subject to change without notice and without incurring liability. Improper installation, adjustment, alteration, service or maintenance can cause property damage or personal injury. Installation and service must be performed by a qualified installer and servicing agency.

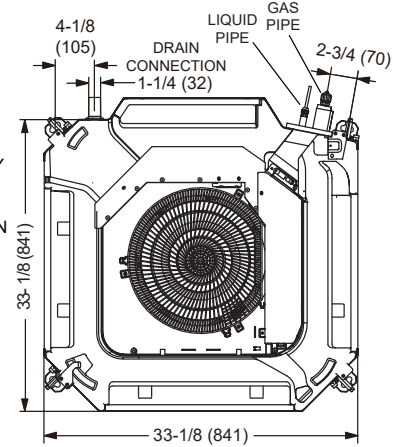
DIMENSIONAL DRAWINGS - INCHES (MM)



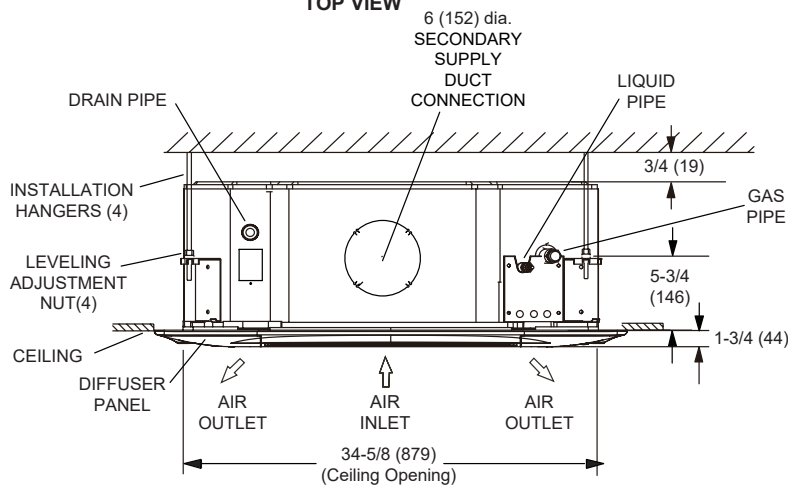
TOP VIEW



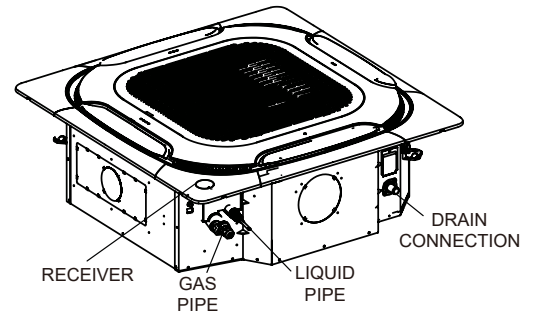
4 (102) dia. SECONDARY SUPPLY DUCT CONNECTION



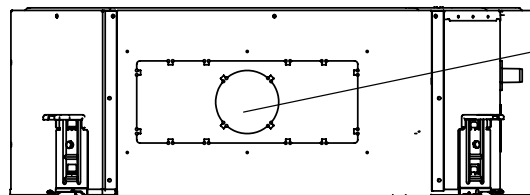
BOTTOM VIEW



SIDE VIEW



BOTTOM (PANEL) VIEW



SIDE VIEW

4 (102) dia. SECONDARY SUPPLY DUCT CONNECTION

NOTE - Due to Lennox' ongoing commitment to quality, Specifications, Ratings and Dimensions subject to change without notice and without incurring liability. Improper installation, adjustment, alteration, service or maintenance can cause property damage or personal injury. Installation and service must be performed by a qualified installer and servicing agency.