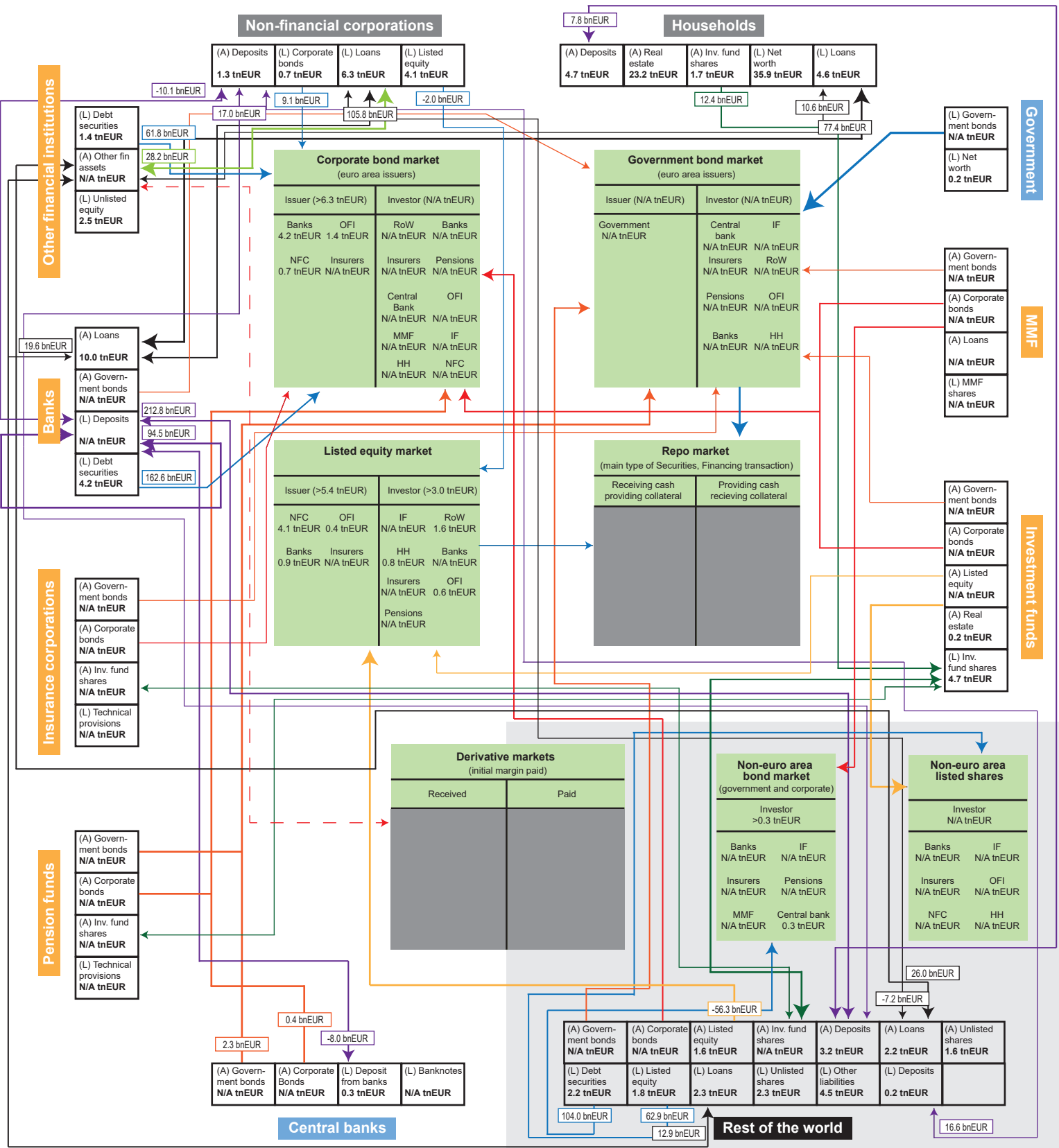


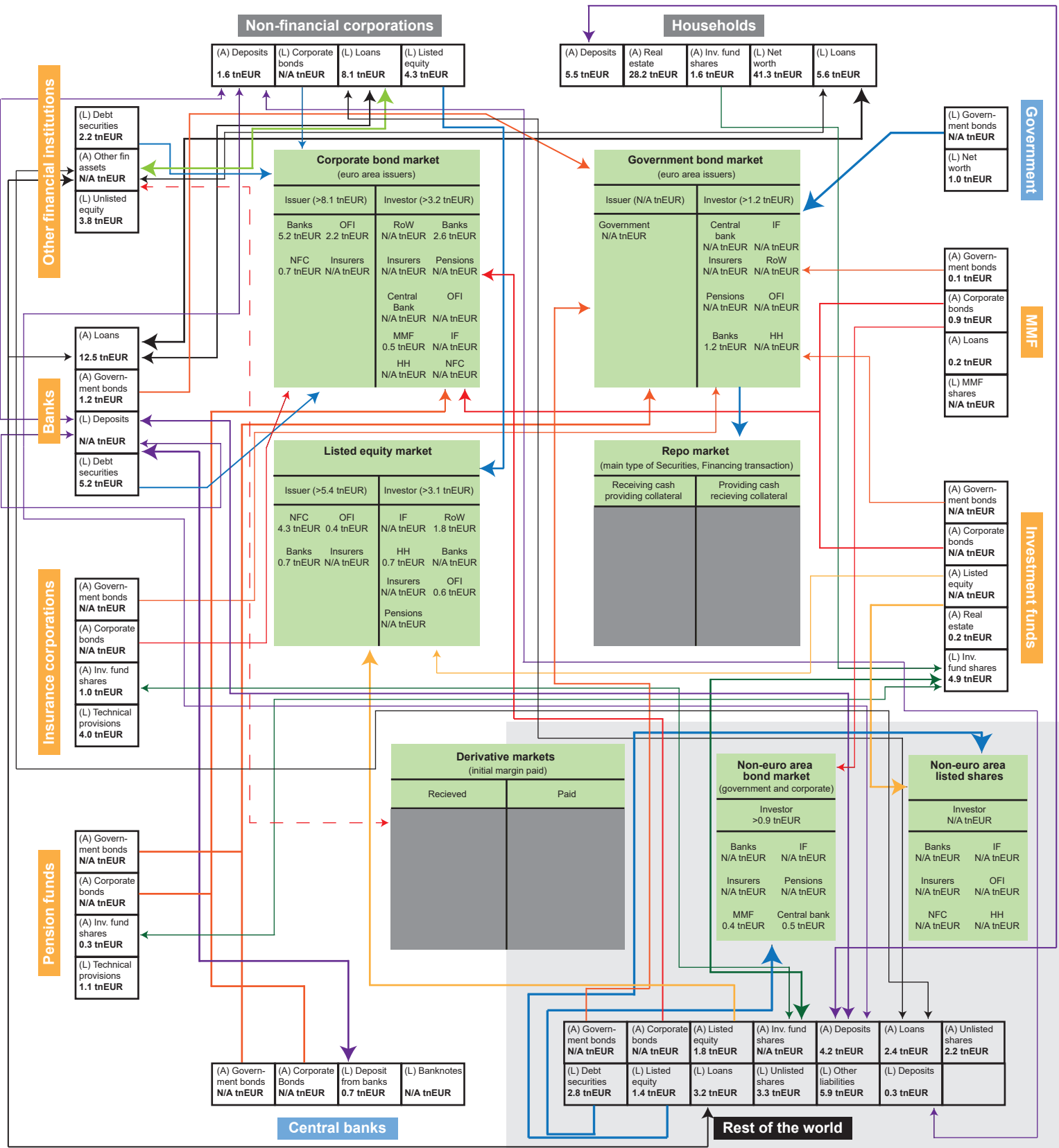
Outstanding amounts at the end of Q4-2005 and financial transactions in Q1-2006



Legend

- | | | | | | |
|---------------|------------------------------------|-------------------|-----------------------------|-------------------|--|
| Blue | Issuer in financial market | Yellow | Investor in equity market | Purple | Deposits in financial institutions |
| Orange | Investor in government bond market | Dark green | Investor in investment fund | Green | Link between OFI and non-financial corporations |
| Red | Investor in corporate bond market | Black | Loans between sectors | Dashed red | Differences in received-paid position in derivatives |

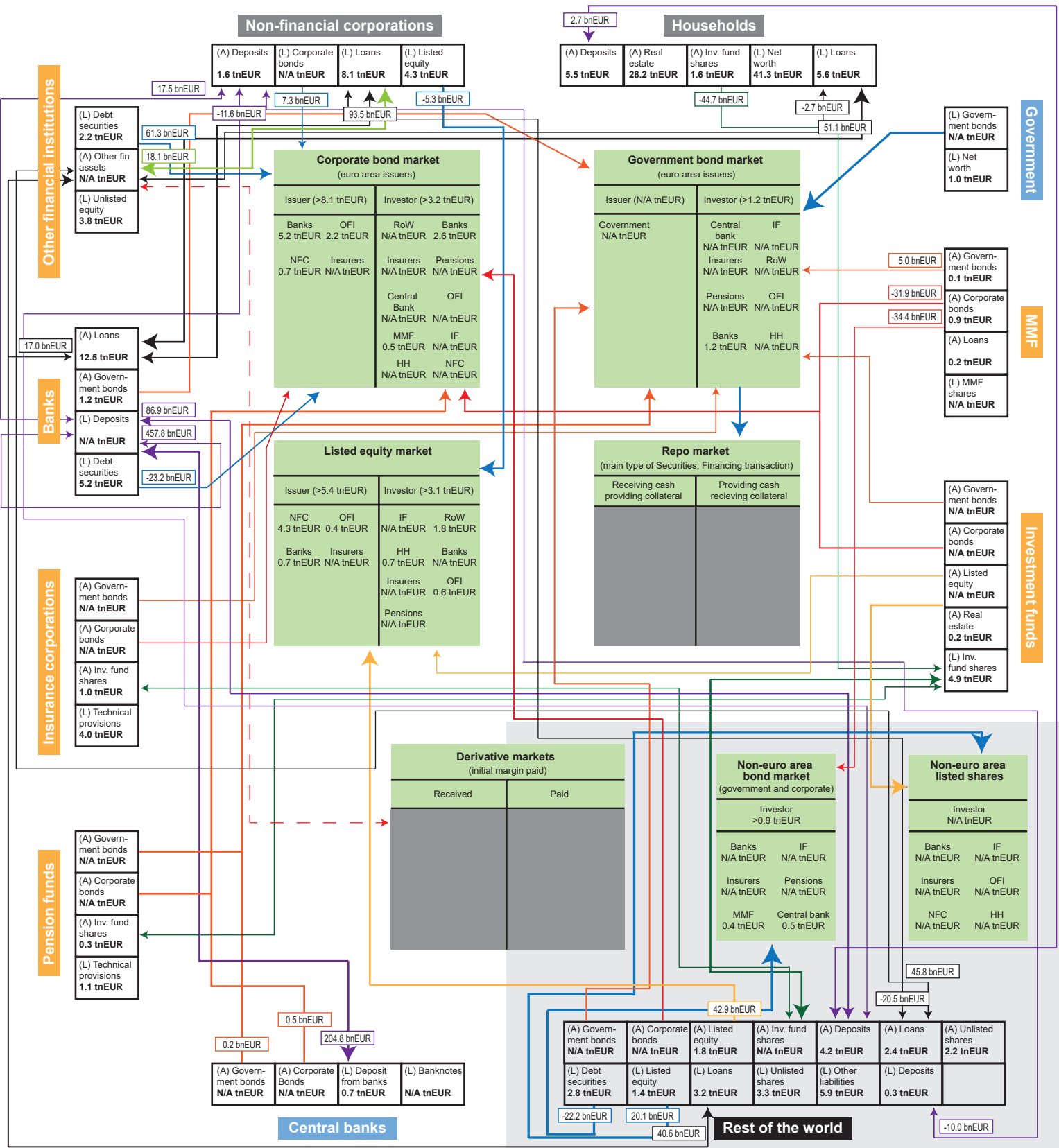
Outstanding amounts at the end of Q2-2008



Legend

Blue	Issuer in financial market	Yellow	Investor in equity market	Purple	Deposits in financial institutions
Orange	Investor in government bond market	Dark green	Investor in investment fund	Green	Link between OFI and non-financial corporations
Red	Investor in corporate bond market	Black	Loans between sectors	Dashed red	Differences in received-paid position in derivatives

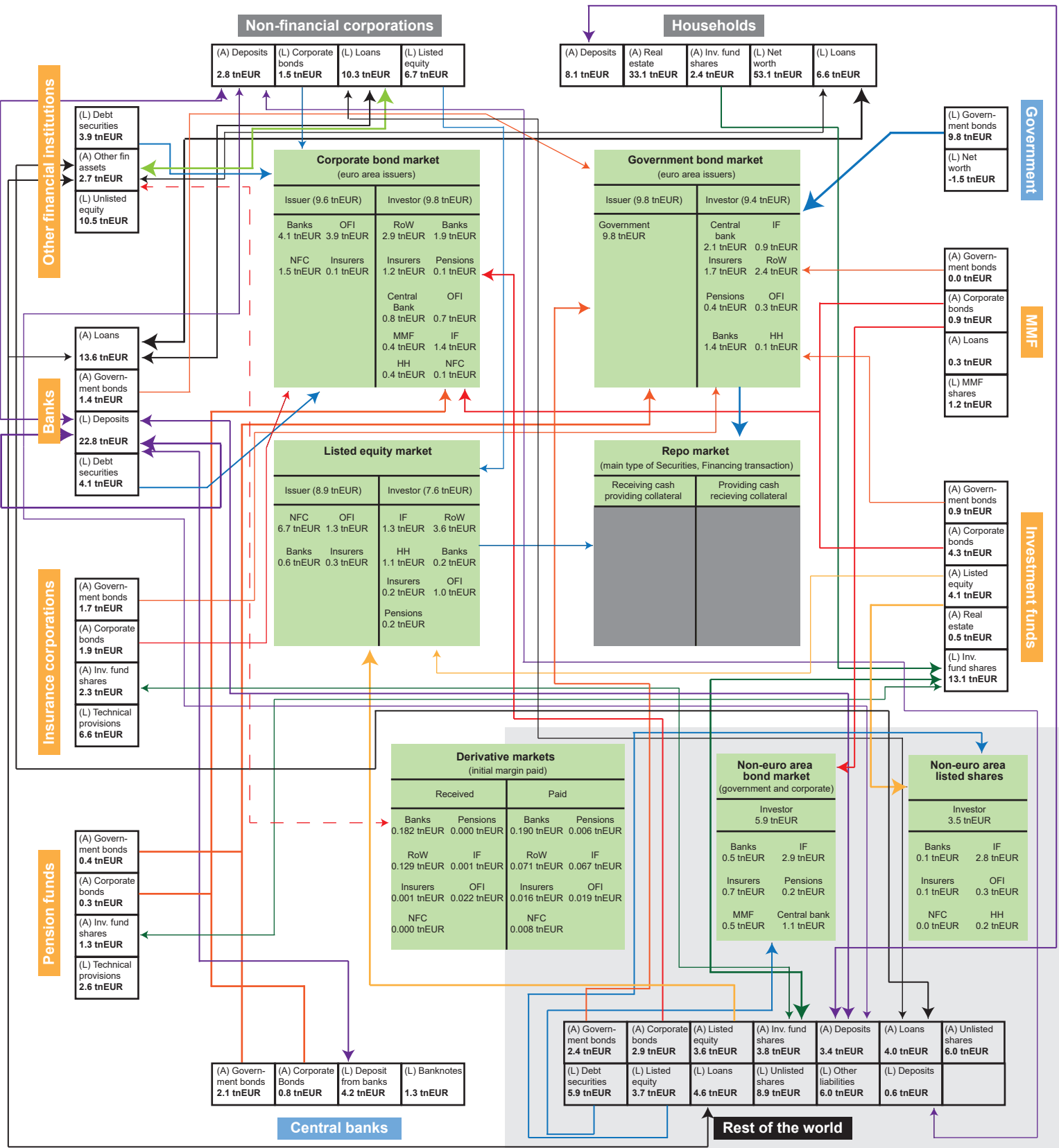
Outstanding amounts at the end of Q2-2008 and financial transactions in Q3-2008



Legend

Blue	Issuer in financial market	Yellow	Investor in equity market	Purple	Deposits in financial institutions
Orange	Investor in government bond market	Dark green	Investor in investment fund	Green	Link between OFI and non-financial corporations
Red	Investor in corporate bond market	Black	Loans between sectors	Dashed red	Differences in received-paid position in derivatives

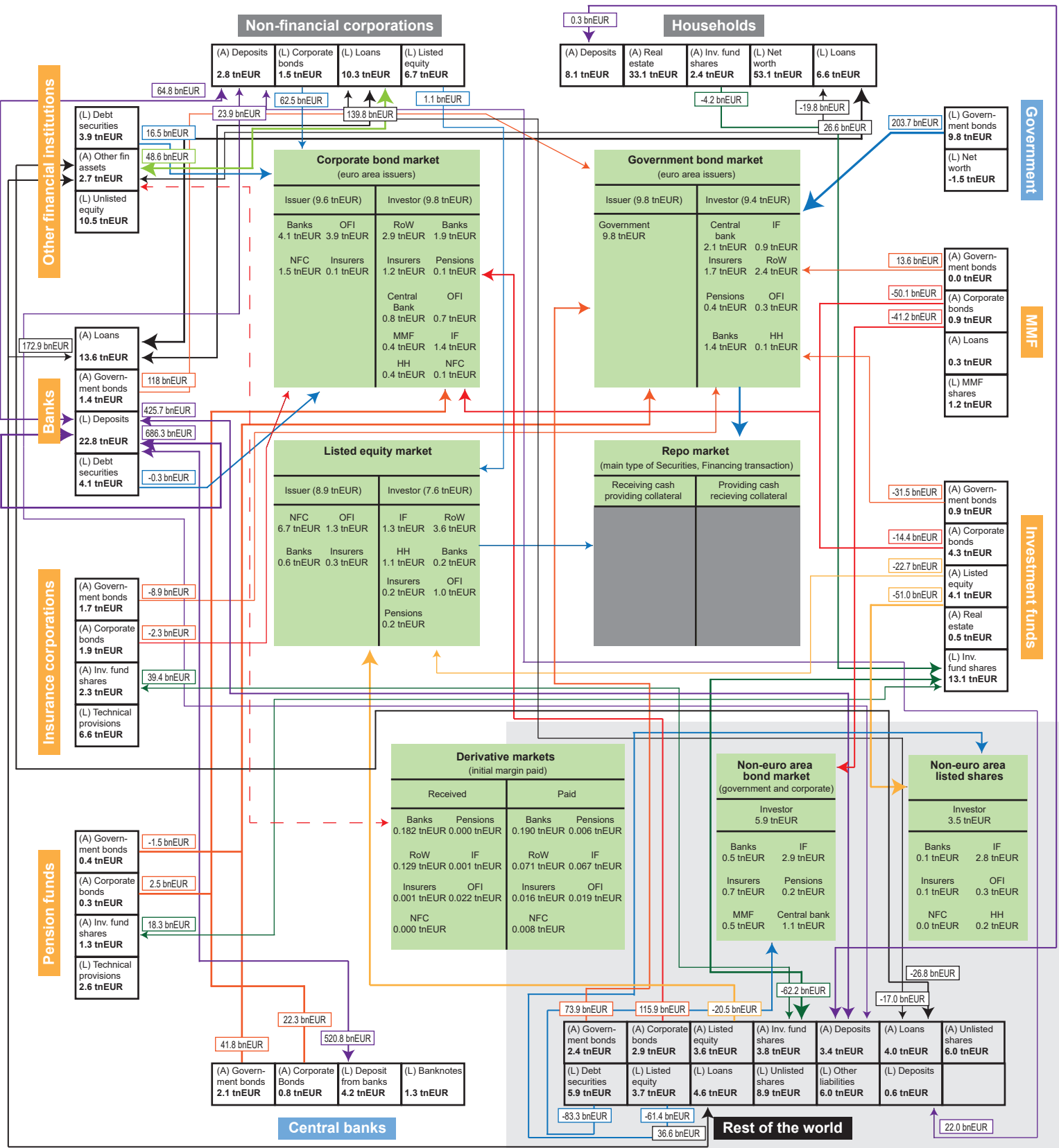
Outstanding amounts at the end of Q4-2019



Legend

Blue	Issuer in financial market	Yellow	Investor in equity market	Purple	Deposits in financial institutions
Orange	Investor in government bond market	Dark green	Investor in investment fund	Green	Link between OFI and non-financial corporations
Red	Investor in corporate bond market	Black	Loans between sectors	Dashed red	Differences in received-paid position in derivatives

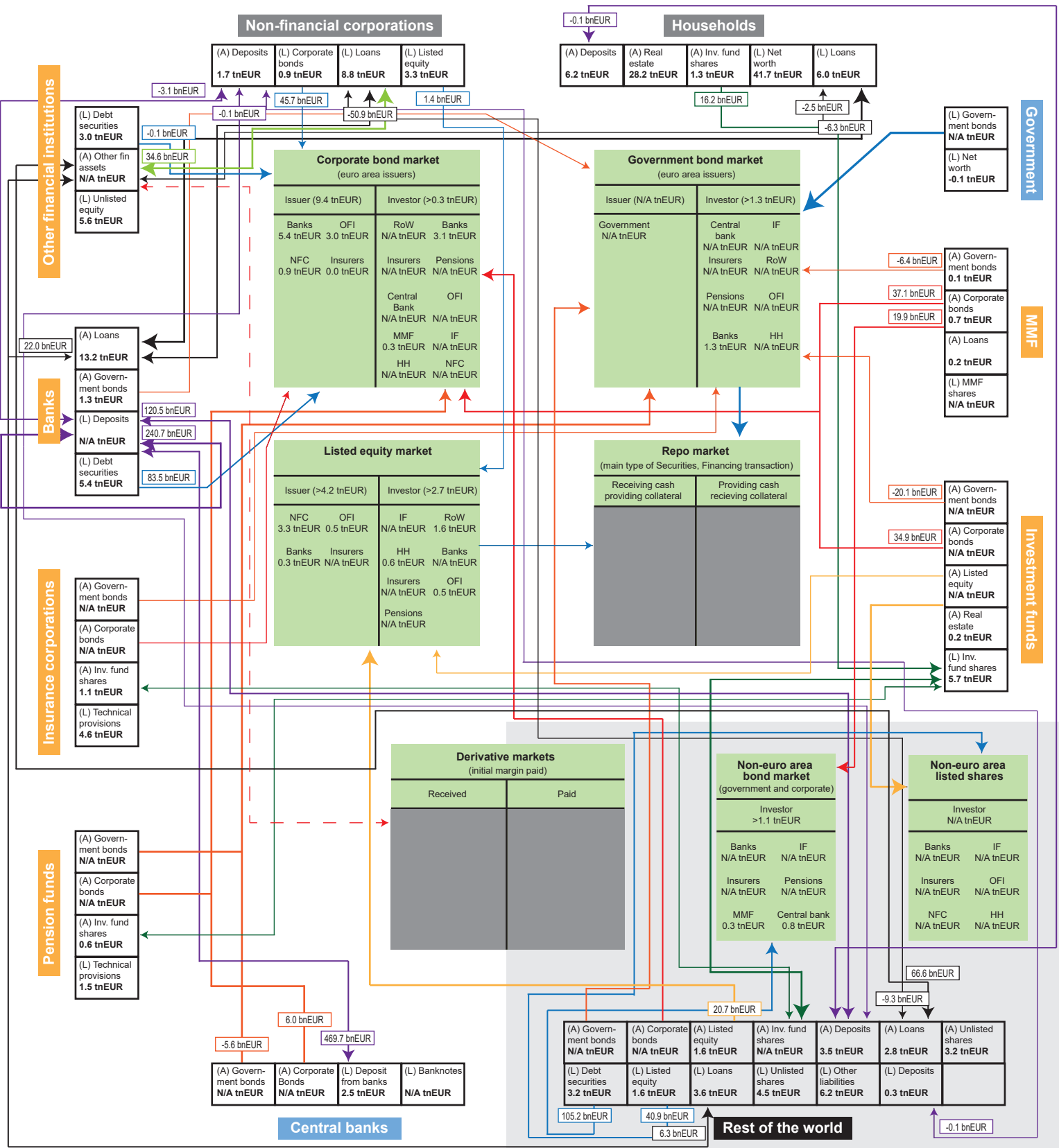
Outstanding amounts at the end of Q4-2019 and financial transactions in Q1-2020



Legend

Blue	Issuer in financial market	Yellow	Investor in equity market	Purple	Deposits in financial institutions
Orange	Investor in government bond market	Dark green	Investor in investment fund	Green	Link between OFI and non-financial corporations
Red	Investor in corporate bond market	Black	Loans between sectors	Dashed red	Differences in received-paid position in derivatives

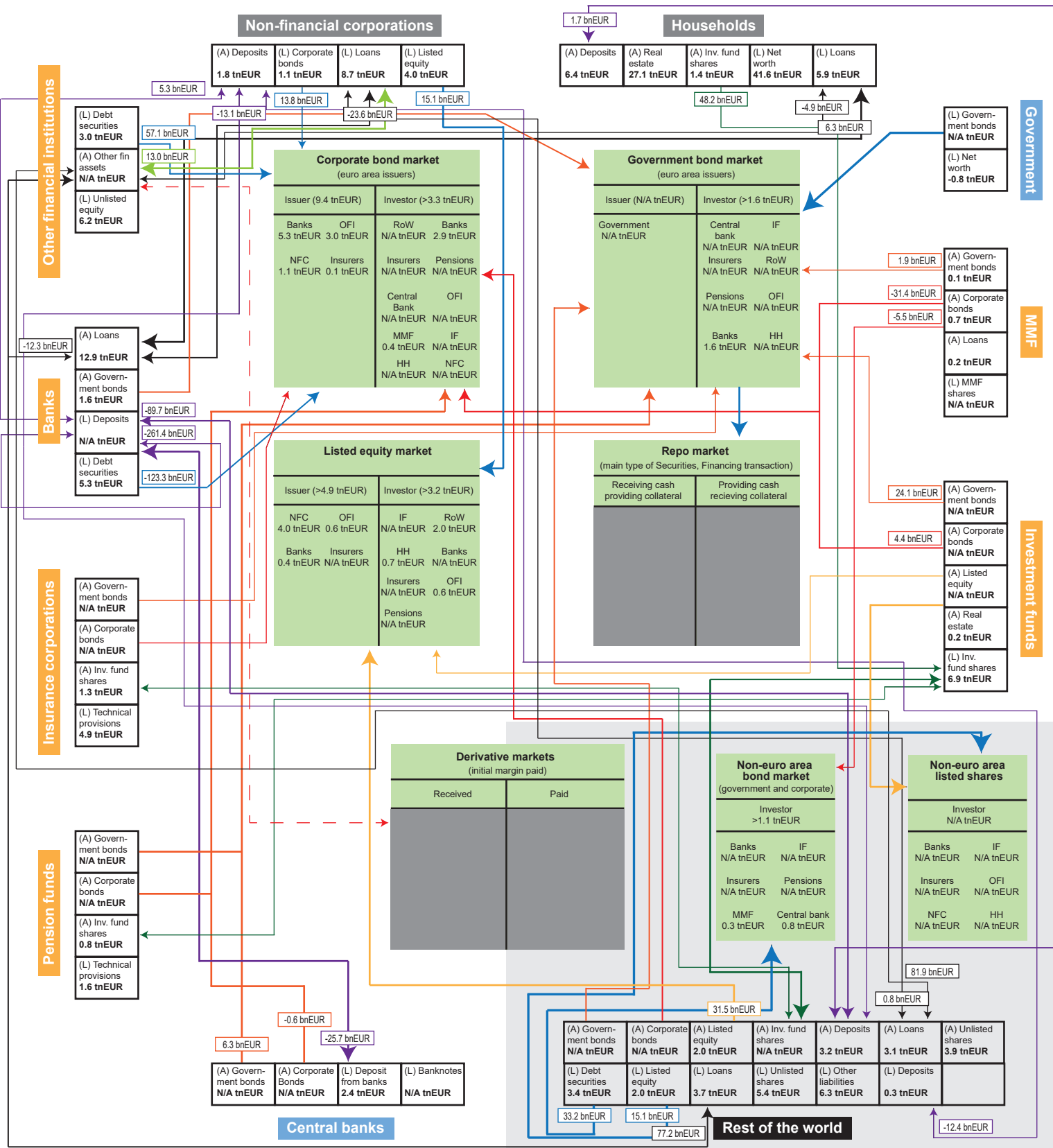
Outstanding amounts at the end of Q4-2011 and financial transactions in Q1-2012



Legend

Blue	Issuer in financial market	Yellow	Investor in equity market	Purple	Deposits in financial institutions
Orange	Investor in government bond market	Dark green	Investor in investment fund	Green	Link between OFI and non-financial corporations
Red	Investor in corporate bond market	Black	Loans between sectors	Dashed red	Differences in received-paid position in derivatives

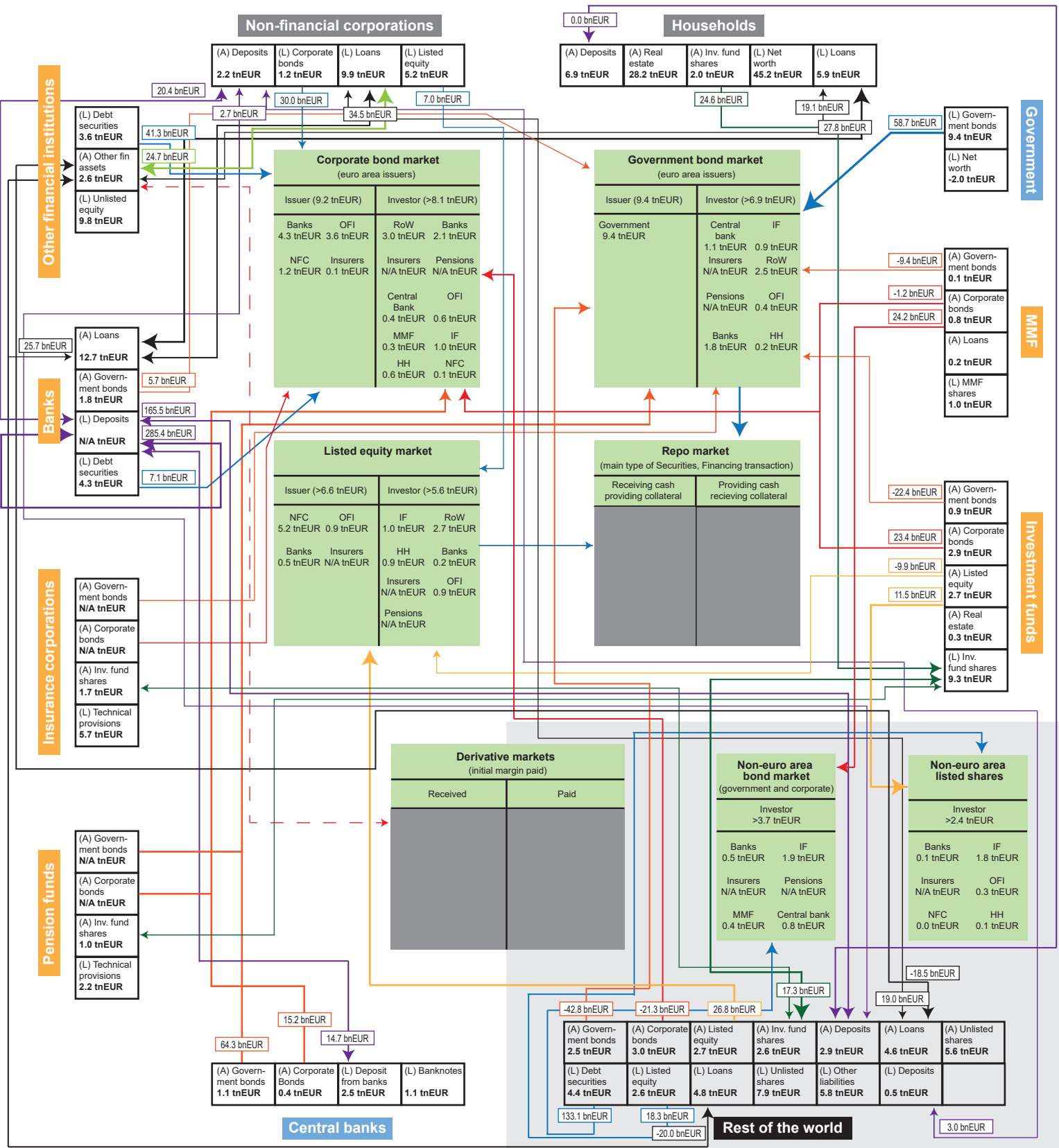
Outstanding amounts at the end of Q1-2013 and financial transactions in Q2-2013



Legend

Blue	Issuer in financial market	Yellow	Investor in equity market	Purple	Deposits in financial institutions
Orange	Investor in government bond market	Dark green	Investor in investment fund	Green	Link between OFI and non-financial corporations
Red	Investor in corporate bond market	Black	Loans between sectors	Dashed red	Differences in received-paid position in derivatives

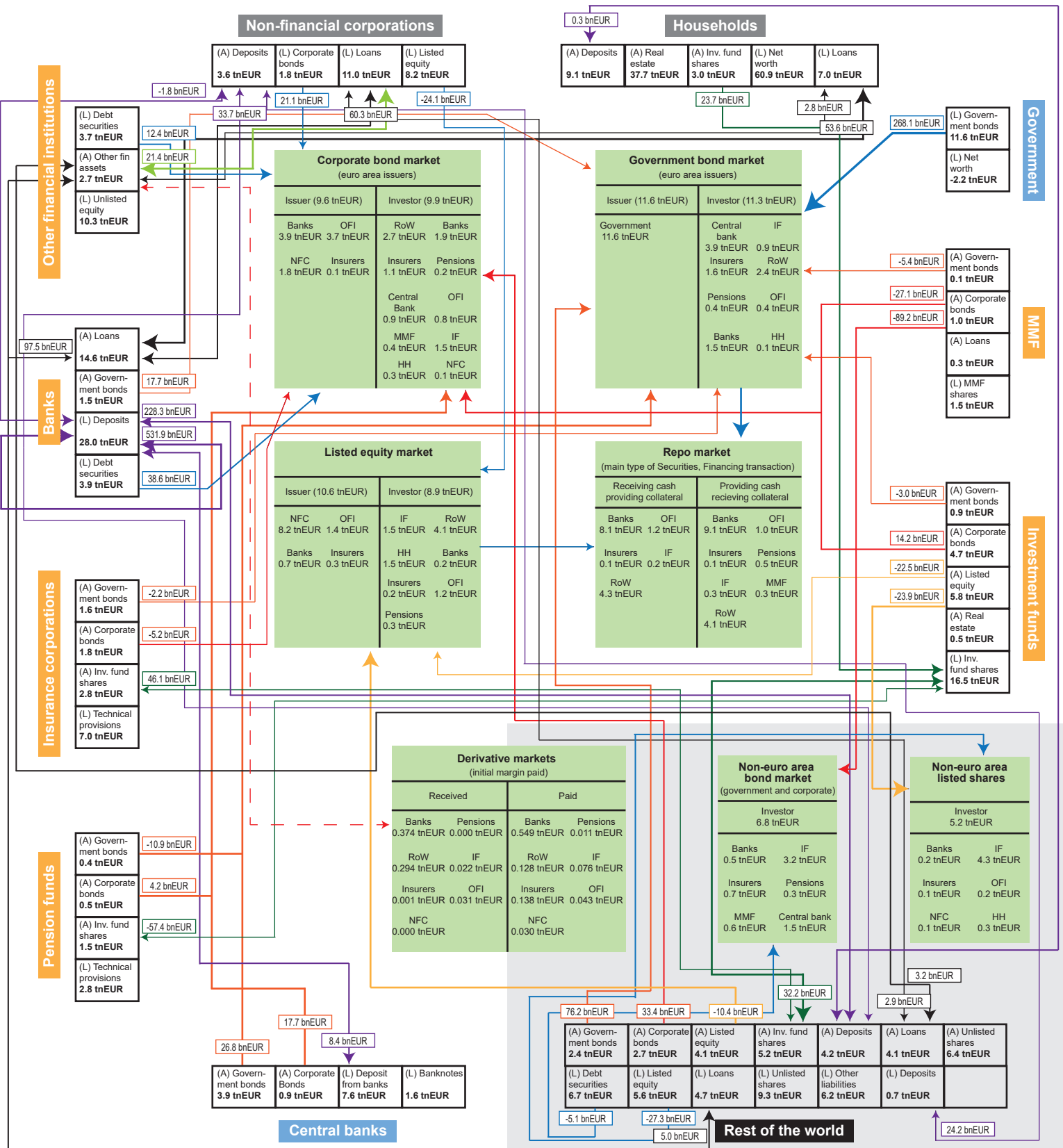
Outstanding amounts at the end of Q1-2016 and financial transactions in Q2-2016



Legend

Blue	Issuer in financial market	Yellow	Investor in equity market	Purple	Deposits in financial institutions
Orange	Investor in government bond market	Dark green	Investor in investment fund	Green	Link between OFI and non-financial corporations
Red	Investor in corporate bond market	Black	Loans between sectors	Dashed red	Differences in received-paid position in derivatives

Outstanding amounts at the end of Q4-2021 and financial transactions in Q1-2022



Legend

Blue	Issuer in financial market	Yellow	Investor in equity market	Purple	Deposits in financial institutions
Orange	Investor in government bond market	Dark green	Investor in investment fund	Green	Link between OFI and non-financial corporations
Red	Investor in corporate bond market	Black	Loans between sectors	Dashed red	Differences in received-paid position in derivatives