



JOHN DEERE

3754G SWING MACHINE





OUT HERE, UPTIME IS THE ONLY THING THAT MATTERS.

You're in the woods and facing the challenges there every day. So when we asked loggers like you how we could make our adaptable swing machines even better, we heard "uptime" loud and clear. Then we spent thousands of hours redesigning components, testing equipment, and pushing performance until we got results you can count on. Rugged frame structures, reliable systems, and a major cab update are just some of the proven features of our latest 3754G Swing Machine. Because in the forest, keeping up and running long mean everything to your operation.

Strength for the long haul

Purpose-built boom-foot base, along with bushings in mainframe, improves frame and joint durability and streamlines repairs.

Get on track

Longer track frames on the 3754G put more track on the ground, for greater stability — and up to 17-percent more lifting power than the model it replaces.

Comfort in the cab

With an additional three inches of legroom over earlier models, the cab is isolation mounted to reduce noise and vibration, cushion the ride in rough terrain, and substantially minimize fatigue. Ergonomically correct short-throw pilot levers provide smooth, precise fingertip control with less movement or effort.

Designed by loggers for loggers

Two cab options significantly enhance operator comfort. Forestry-excavator cab is 25-percent larger than previous models. Log-loader cab features a riser and windows in the floor, for superb visibility to the tracks and work area. Optional cab-forward riser enables additional visibility to the right.



**OPT FOR LOG-LOADER OR
FORESTRY-EXCAVATOR CAB TO
BOOST VERSATILITY**

See the light

Standard 14-light LED package provides powerful illumination. LED lights in the service compartment mean no more fumbling with a flashlight to see what you're working on. An access light helps you safely enter and exit at the rear of the cab.

Work your way

Three productivity modes allow you to adjust the machine to the application. **High productivity** delivers more power and faster hydraulic response. **Power** delivers a balance of power, speed, and fuel economy for normal operation. **Economy** limits top speed and helps save fuel.

At your service

Larger service bays make it easier to reach components, so daily checks and preventative maintenance get done effortlessly and on schedule. Right-side service panel tilts down to provide a stable platform for accessing filters, diesel exhaust fluid (DEF), hydraulic oil-fill locations, and other routine service points.

3754G SWING MACHINE

PUT TECHNOLOGY TO WORK IN THE WOODS AND AT THE OFFICE.

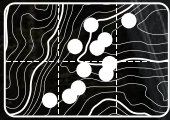
Coordinate your operation and your team's productivity from wherever your work takes you with John Deere Precision Forestry and our core technology solutions.

FEATURES

Core intelligence

Your John Deere Forestry machine arrives from the factory equipped with a powerful set of technologies and capabilities already built in. Each plays an important role in managing the health and performance of your overall equipment fleet:

- **JDLink™** connectivity lets you track your equipment, see which machines are working, and know if they're being utilized properly and at maximum productivity and efficiency.
- Enabled through JDLink, **John Deere Connected Support™** leverages a suite of dealer and factory tools designed to deliver increased uptime and productivity, and lower daily operating costs.
- **Remote Diagnostics and Programming Capability** within John Deere Connected Support helps your dealer warn you of any issue with your machine — often before you know of the problem yourself — and initiate solutions without charging you for a technician's visit to your jobsite.
- Our advanced dual approach to **Machine Health** combines the expertise of the technology specialists at our dealerships with the data specialists at our central Machine Health Monitoring Center (MHMC). As part of John Deere Connected Support, information from thousands of connected machines flows through the MHMC, enabling our specialists to identify trends and develop new and improved preventative-maintenance and repair protocols.



JOHN DEERE PRECISION FORESTRY

TOOLS ENABLE PRODUCTION
PLANNING & TRACKING

Precision Forestry

Take the guesswork out of planning, implementing, and monitoring your logging operation. The tools of our production-planning and -tracking system expand on the core technology features that come standard in every John Deere Forestry machine to unleash a powerful new array of possibilities:

- **TimberMatic™ Maps** is an innovative onboard software solution that helps you reimagine your jobsites. Real-time production views, optimized routes, and shared wireless connections between machines make it easier than ever before to take your forestry operation to the next level.
- **TimberManager™** is a web-based solution for PCs, tablets, and mobile phones that allows you to follow jobsite progress. Combined with TimberMatic Maps, this software provides complete visibility of your operation — from land harvested to specific machines — so you can streamline communication, analyze tasks, and increase productivity:
 - **Remote Monitoring** keeps tabs on the health and performance of your fleet from wherever you are.
 - **Precise Progress Tracking** lets you set goals for your team to meet throughout the day.
 - **Live Production View** displays progress including tree count, area harvested, and estimated tonnage.
 - **Simplified Mapping** of machine data and GPS-based location tracking shows precise stem and log counts.
 - **Real-Time Updates** let you adjust course or eliminate tasks if needed to maintain steady workflow.
 - **Fleet Optimization** goes beyond machine management to help improve the efficiency of your business.

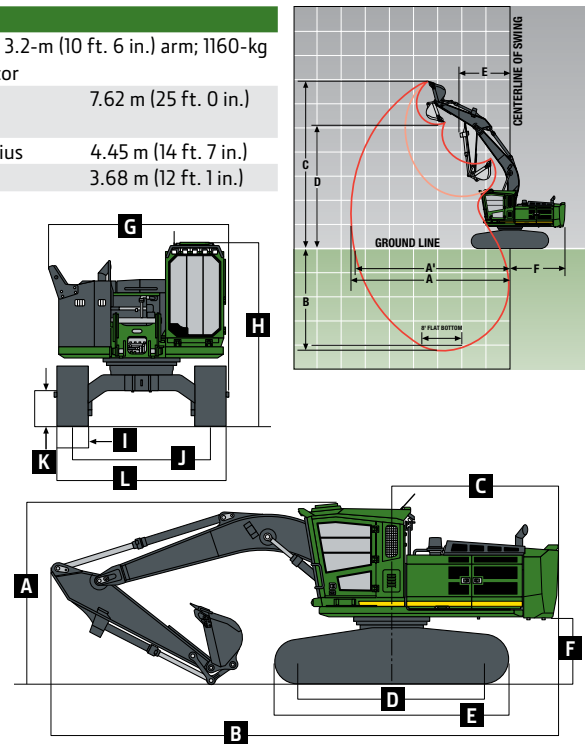
Operating Dimensions 3754G Road Builder

With standard equipment, 700-mm (28 in.) shoes; 5538-kg (12,206 lb.) standard counterweight; 3.2-m (10 ft. 6 in.) arm; 1160-kg (2,557 lb.), 1.76-m³ (2.3 cu. yd.), 1370-mm (54 in.) bucket; full fuel tank; and 79-kg (175 lb.) operator

A Maximum Reach	11.05 m (36 ft. 3 in.)	D Maximum Dumping/Log-Level Height	7.62 m (25 ft. 0 in.)
A' Maximum Reach at Ground Level	10.80 m (35 ft. 5 in.)	E Minimum Swing Radius	4.45 m (14 ft. 7 in.)
B Maximum Digging Depth	7.14 m (23 ft. 5 in.)	F Tail Swing Radius	3.68 m (12 ft. 1 in.)
C Maximum Cutting Height	10.52 m (34 ft. 6 in.)		

Machine Dimensions

Undercarriage	Standard	Optional LC
A Machine Transport Height		
Side-Entry Cab	3.81 m (12 ft. 6 in.)	3.81 m (12 ft. 6 in.)
Rear-Entry Cab	3.68 m (12 ft. 1 in.)	3.68 m (12 ft. 1 in.)
B Overall Length	11.15 m (36 ft. 7 in.)	11.15 m (36 ft. 7 in.)
C Rear-End Length / Swing Radius	3.61 m (11 ft. 10 in.)	3.61 m (11 ft. 10 in.)
D Distance Between Idler / Sprocket Centerline	4.04 m (13 ft. 3 in.)	4.47 m (14 ft. 8 in.)
E Undercarriage Length	4.95 m (16 ft. 3 in.)	5.46 m (17 ft. 11 in.)
F Counterweight Clearance	1.45 m (4 ft. 9 in.)	1.45 m (4 ft. 9 in.)
G Upperstructure Width	3.48 m (11 ft. 5 in.)	3.48 m (11 ft. 5 in.)
H Cab Height		
Side-Entry Cab	3.81 m (12 ft. 6 in.)	3.81 m (12 ft. 6 in.)
Rear-Entry Cab	5.18 m (17 ft. 0 in.)	5.18 m (17 ft. 0 in.)
I Track Width With 700-mm (28 in.) Double-Grouser Shoes	0.70 m (28 in.)	0.70 m (28 in.)
J Center of Sprocket to Center of Sprocket (gauge width)	2.92 m (9 ft. 7 in.)	2.92 m (9 ft. 7 in.)
K Ground Clearance	0.74 m (29 in.)	0.74 m (29 in.)
L Undercarriage Width With 700-mm (28 in.) Double-Grouser Shoes	3.63 m (11 ft. 11 in.)	3.63 m (11 ft. 11 in.)



Attachment weight is not included when calculating the lift capacities. Boldface type indicates hydraulic-limited capacities with power boost; lightface type indicates stability-limited capacities, in kg (lb.). Figures do not exceed 87 percent of hydraulic capacities or 75 percent of weight needed to tip machine.

Lift Capacity — 3754G Road Builder with 2.92-m (9 ft. 7 in.) undercarriage, 700-mm (28 in.) shoes, and standard counterweight; bare pin

Load Point Height	1.5 m (5 ft.)		3.1 m (10 ft.)		4.6 m (15 ft.)		6.1 m (20 ft.)		7.6 m (25 ft.)		9.1 m (30 ft.)	
	Over Front	Over Side	Over Front	Over Side	Over Front	Over Side	Over Front	Over Side	Over Front	Over Side	Over Front	Over Side
7.6 m (25 ft.)									8270	8270		
									(18,220)	(18,220)		
6.1 m (20 ft.)									8340	8340		
									(18,380)	(18,380)		
4.6 m (15 ft.)					12 810	12 810	10 210	10 210	8900	8900	8240	6950
					(28,220)	(28,220)	(22,510)	(22,510)	(19,610)	(19,610)	(18,160)	(15,330)
3.1 m (10 ft.)					15 860	15 860	11 670	11 670	9630	8920	8490	6820
					(34,960)	(34,960)	(25,710)	(25,710)	(21,220)	(19,670)	(18,710)	(15,040)
1.5 m (5 ft.)					17 880	17 790	12 870	11 750	10 290	8620	8740	6680
					(39,410)	(39,220)	(28,360)	(25,910)	(22,670)	(19,000)	(19,260)	(14,730)
Ground Line			26 160	26 160	18 380	17 390	13 470	11 420	10 640	8420		
			(57,650)	(57,650)	(40,510)	(38,320)	(29,700)	(25,170)	(23,450)	(18,550)		
-1.5 m (-5 ft.)	31 890	31 890	24 600	24 600	17 740	17 350	13 330	11 310	10 450	8350		
	(70,280)	(70,280)	(54,210)	(54,210)	(39,100)	(38,240)	(29,380)	(24,930)	(23,040)	(18,410)		
-3.1 m (-10 ft.)	31 490	31 490	21 620	21 620	16 030	16 030	12 230	11 410	9200	8490		
	(69,400)	(69,400)	(47,640)	(47,640)	(35,330)	(35,330)	(26,960)	(25,150)	(20,280)	(18,700)		

Lift Capacity — 3754G Road Builder with 2.92-m (9 ft. 7 in.) LC undercarriage, 700-mm (28 in.) shoes, and standard counterweight; bare pin

7.6 m (25 ft.)									8270	8270		
									(18,220)	(18,220)		
6.1 m (20 ft.)									8340	8340		
									(18,380)	(18,380)		
4.6 m (15 ft.)					12 810	12 810	10 210	10 210	8900	8900	8240	7340
					(28,220)	(28,220)	(22,510)	(22,510)	(19,610)	(19,610)	(18,160)	(16,180)
3.1 m (10 ft.)					15 860	15 860	11 670	11 670	9630	9410	8490	7210
					(34,960)	(34,960)	(25,710)	(25,710)	(21,220)	(20,730)	(18,710)	(15,890)
1.5 m (5 ft.)					17 880	17 880	12 870	12 400	10 290	9110	8740	7070
					(39,410)	(39,410)	(28,360)	(27,340)	(22,670)	(20,070)	(19,260)	(15,590)
Ground Line			26 160	26 160	18 380	18 370	13 470	12 070	10 640	8900		
			(57,650)	(57,650)	(40,510)	(40,480)	(29,700)	(26,600)	(23,450)	(19,620)		
-1.5 m (-5 ft.)	31 890	31 890	24 600	24 600	17 740	17 740	13 330	11 960	10 450	8840		
	(70,280)	(70,280)	(54,210)	(54,210)	(39,100)	(39,100)	(29,380)	(26,360)	(23,040)	(19,480)		
-3.1 m (-10 ft.)	31 490	31 490	21 620	21 620	16 030	16 030	12 230	12 060	9200	8970		
	(69,400)	(69,400)	(47,640)	(47,640)	(35,330)	(35,330)	(26,960)	(26,580)	(20,280)	(19,770)		

While general information, pictures, and descriptions are provided, some illustrations and text may include product options and accessories NOT AVAILABLE in all regions, and in some countries products and accessories may require modifications or additions to ensure compliance with the local regulations of those countries.



MSW3754GC (23-02)

Contact us to learn more.

JohnDeere.com/SwingMachines
JohnDeere.ca/SwingMachines



JOHN DEERE