

337E KNUCKLEBOOM LOADER



JOHN DEERE



337E KNUCKLEBOOM LOADER

READY TO RUN AND TAKE THE LEAD.

To stay ahead of the competition, you need to keep up at the landing. With powerful swing torque and lift force, streamlined hydraulics, reliable fluid economy, expansive visibility, and rugged components, the John Deere 337E Knuckleboom Loader is designed to withstand and take command of the most punishing logging environments. This proven performer sets the pace in the forest — and in its class — day after day.

Cool and comfortable

Rear and left rear windows have been replaced with heat-deflecting sheet metal that keeps the sun's rays from scorching your back and neck while cooling the cab. Enhanced HVAC system stabilizes cab interior temperatures. Satellite-ready radio option can be activated to expand cab amenities.

Keep it clean

Efficient fan and other cooling system components swing out for convenient cleaning. High-debris grille option is available to help keep waste material from entering the coolers.

Grab and go

The 337E can be factory equipped with the optional John Deere 48-inch log grapple constructed of durable cast steel. Ample opening width ranging from 4 to 48 inches enables faster delimiting and loading of trucks.

Maintenance made easy

A switch conveniently located inside the cab activates the optional battery-operated vacuum pump that helps avoid oil leakage from hydraulic components during service.

Filter it out

A second hydraulic oil filter doubles change intervals to 2,000 hours. Inline diesel exhaust fluid (DEF) filter boosts system reliability and serviceability.

Simplified electrical system

The wiring harnesses of the electronic controller-based electrical system have been simplified to reduce the number of fuses, relays, and wires by approximately 30 percent compared to previous models. Diagnostic codes via the onboard display through JDLink™ ease fault detection.

It's easy to see

Redesigned front window eliminates external guarding and improves visibility while meeting operator-protection requirements. Engine hood enables an expanded view behind the machine.

Fluid dynamics

John Deere EPA Final Tier 4 (FT4) engine maintains maximum engine performance while minimizing consumption of both diesel fuel and DEF. Operating rpm has been optimized to improve fuel efficiency by more than five percent, on average, without loss of machine performance.

In the swing of things

Dedicated swing circuit provides the continuous power needed for productive delimiting and loading.



AY CL



IMPROVED **FORWARD & REARWARD** VISIBILITY

COMPARED TO PREVIOUS MODEL



337E

JOHN DEERE



337E KNUCKLEBOOM LOADER

**PUT TECHNOLOGY TO WORK IN
THE WOODS AND AT THE OFFICE.**

Coordinate your operation and your team's productivity from wherever your work takes you with John Deere Precision Forestry and our core technology solutions.

FEATURES

Core intelligence

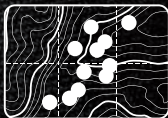
Your John Deere Forestry machine arrives from the factory equipped with a powerful set of technologies and capabilities already built in. Each plays an important role in managing the health and performance of your overall equipment fleet:

- **JDLink connectivity and the John Deere Operations Center™** let you track your equipment, see which machines are working, and know if they're being utilized properly and at maximum productivity and efficiency.
- **John Deere Connected Support™** leverages a suite of dealer and factory tools designed to deliver increased uptime and productivity, and lower daily operating costs.
- **Remote Diagnostics and Programming Capability** within John Deere Connected Support helps your dealer warn you of any issue with your machine — often before you know of the problem yourself — and initiate solutions without having to send a technician to your jobsite.
- Our advanced dual approach to **Machine Health** combines the expertise of the technology specialists at our dealerships with the data specialists at our central Machine Health Monitoring Center (MHMC). As part of John Deere Connected Support, information from thousands of connected machines flows through the MHMC, enabling our specialists to identify trends and develop new and improved preventative-maintenance and repair protocols.

Precision Forestry

Take the guesswork out of planning, implementing, and monitoring your logging operation. The tools of our production-planning and -tracking system expand on the core technology features that come standard in every John Deere Forestry machine to unleash a powerful new array of possibilities:

- **TimberMatic™ Maps** is an innovative onboard software solution that helps you reimagine your jobsites. Real-time production views, optimized routes, and shared wireless connections between machines make it easier than ever before to take your forestry operation to the next level.
- **TimberManager™** is a web-based solution for PCs, tablets, and mobile phones that allows you to follow jobsite progress. Combined with TimberMatic Maps, this software provides complete visibility of your operation — from land harvested to specific machines — so you can streamline communication, analyze tasks, and increase productivity:
 - **Remote Monitoring** keeps tabs on the health and performance of your fleet from wherever you are.
 - **Precise Progress Tracking** lets you set goals for your team to meet throughout the day.
 - **Live Production View** displays progress including tree count, area harvested, and estimated tonnage.
 - **Simplified Mapping** of machine data and GPS-based location tracking shows precise stem and log counts.
 - **Real-Time Updates** let you adjust course or eliminate tasks if needed to maintain steady workflow.
 - **Fleet Optimization** goes beyond machine management to help improve the efficiency of your business.



JOHN DEERE
PRECISION FORESTRY
TOOLS ENABLE PRODUCTION
PLANNING & TRACKING

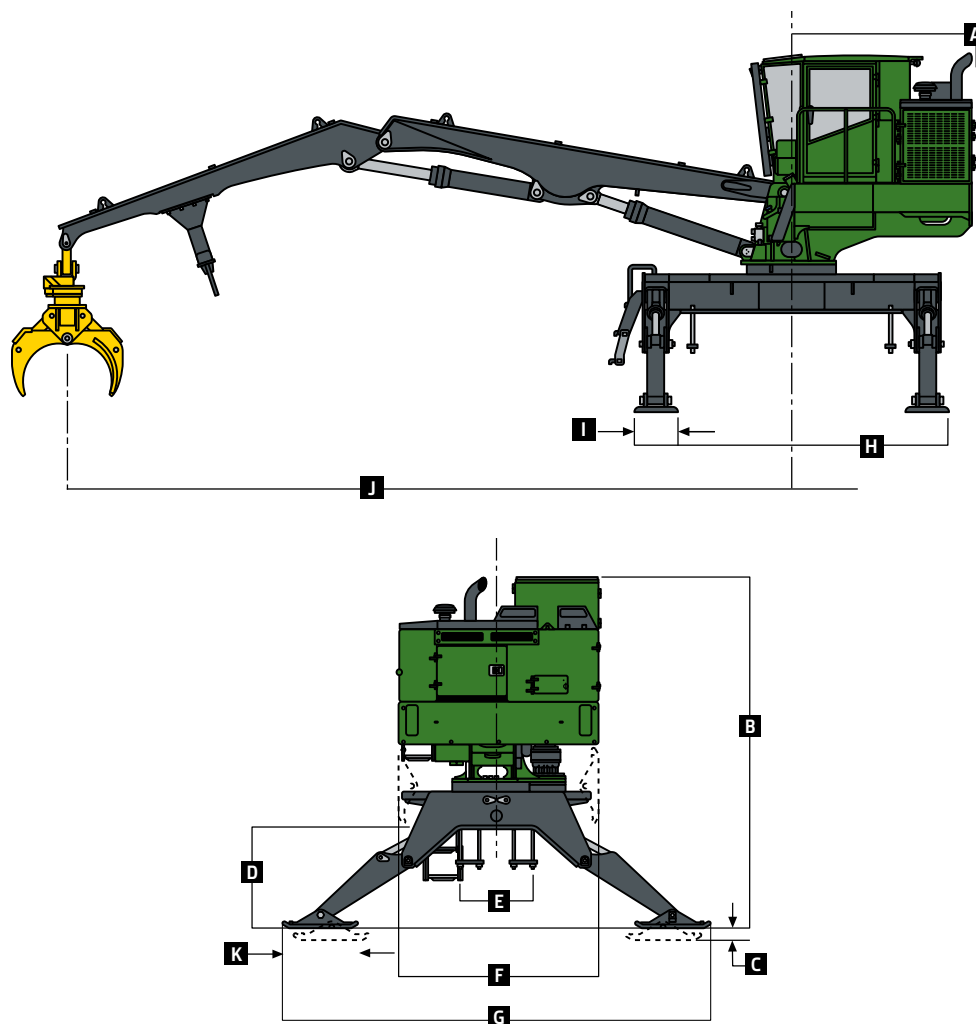
337E KNUCKLEBOOM LOADER SPECIFICATIONS

Engine		337E
Manufacturer and Model	John Deere 6068 HTJ57 PowerTech™ PVS	
Non-Road Emission Standards	EPA Final Tier 4/EU Stage V	
Cylinders	6	
Valves per Cylinder	4	
Displacement	6.8 L (415 cu. in.)	
Gross Rated Power	129 kW (173 hp) at 2,000 rpm	
Net Torque Rise	21%	
Net Peak Torque	750 Nm (553 lb.-ft.) at 1,500 rpm	
Aspiration	Turbocharged, air-to-air aftercooled	
Air Cleaner	Dry-type with safety element	
Cooling		
Fan Type	Engine-driven ECU-controlled viscous clutch	
Hydraulics		
Main Pump	Tandem variable-displacement, axial-piston, load-sensing system	
Controls	Pilot levers, short stroke, low effort	
Fill System	12-volt electric-fill pump through return filter standard / vacuum pump optional	
Cylinders		
Heat-treated, chrome-plated, polished cylinder rods; hardened steel (replaceable bushings) pivot pins		
Boom (1)		
Bore	180 mm (7.1 in.)	
Rod Diameter	95 mm (3.7 in.)	
Jib (1)		
Bore	160 mm (6.3 in.)	
Rod Diameter	95 mm (3.7 in.)	
Stabilizers (4)		
Bore	140 mm (5.5 in.)	
Rod Diameter	70 mm (2.8 in.)	
Electrical		
Voltage	12 volt	
Number of Batteries	2	
Battery Capacity		
At -17.8 deg. C (0 deg. F)	950 CCA	
At 0 deg. C (32 deg. F)	1,110 CCA	
Alternator Rating	200 amp	
Lights	Standard halogen: 2 front / Optional halogen: 2 front, 3 rear, 1 cab right side, 1 cab left side / Optional LED: 4 front, 3 rear, 1 cab right side, 1 cab left side	
Boom		
Knuckleboom	9.10 m (29 ft. 10 in.)	
Swing Mechanism		
Swing Speed	10.0 rpm	
Drive	2-stage planetary gearbox with piston motor	
Bearing	Hardened gear, greaseable from cab	
Swing Torque	44 038 Nm (32,500 lb.-ft.)	
Serviceability		
Hinged engine side shields; local grease points; hydraulic "O"-ring face-seal connectors; ground-level hydraulic oil and filter changes; hydraulic oil electric-fill pump; vacuum pump optional		
Fluid-Change Intervals		
Engine Oil	500 hours	
Hydraulic Oil	2,000 hours	
Engine Coolant	6,000 hours	
Swing- and Pump-Drive Gearbox Oil (each)	1,000 hours	
Refill Capacities		
Fuel Tank	340 L (90.0 gal.)	
Diesel Exhaust Fluid (DEF) Tank	20 L (5.0 gal.)	
Cooling System	28 L (7.5 gal.)	
Engine Crankcase	20 L (5.3 gal.)	
Hydraulic Tank	151 L (40.0 gal.)	
Swing-Drive Gearbox	5.3 L (1.4 gal.)	
Pump-Drive Gear Case	5 L (1.4 gal.)	
Operating Weight (less attachment)		
Includes Standard Equipment, Half-Full Fuel Tank, All Fluids, 80-kg (175 lb.) Operator, and Grapple	13 871 kg (30,580 lb.)	

While general information, pictures, and descriptions are provided, some illustrations and text may include product options and accessories NOT AVAILABLE in all regions, and in some countries products and accessories may require modifications or additions to ensure compliance with the local regulations of those countries.

Machine Dimensions		337E		
A	Tail Swing	395 mm (15.5 in.)	G Stabilizer Spread at Ground Level	5309 mm (17 ft. 5 in.)
B	Machine Height	4112 mm (13 ft. 6 in.)	H Overall Lower Frame Length	3810 mm (12 ft. 6 in.)
C	Maximum Stabilizer Reach Below Grade	257 mm (10 in.)	I Stabilizer Pad Length	533 mm (21 in.)
D	Trailer Height	972 mm (3 ft. 2 in.)	J Boom Reach	9144 mm (30 ft. 0 in.)
E	Maximum Trailer Width	883 mm (35 in.)	K Stabilizer Pad Width	889 mm (35 in.)
F	Transport Width	2606 mm (8 ft. 7 in.)		

337E Knuckleboom Loader



Lift Capacity — 337E (no heel, bare pin)		Reach — Horizontal from Centerline of Rotation				Maximum Weight at Maximum Distance
Load Point Height		4.6 m (15 ft.)	6.1 m (20 ft.)	7.6 m (25 ft.)		
Lifting Over Front	3.1 m (10 ft.)					
6.1 m (20 ft.)		4770 kg (10,516 lb.)	4380 kg (9,656 lb.)	4030 kg (8,885 lb.)		1930 kg (4,255 lb.) at 8.5 m (28.0 ft.)
4.6 m (15 ft.)		5330 kg (11,751 lb.)	4720 kg (10,406 lb.)	4140 kg (9,127 lb.)		2050 kg (4,519 lb.) at 8.9 m (29.3 ft.)
3.1 m (10 ft.)	8980 kg (19,798 lb.)	6610 kg (14,573 lb.)	5160 kg (11,376 lb.)	4290 kg (9,458 lb.)		1895 kg (4,178 lb.) at 9.2 m (30.0 ft.)
1.5 m (5 ft.)	4070 kg (8,973 lb.)	7430 kg (16,380 lb.)	5500 kg (12,125 lb.)	4360 kg (9,612 lb.)		1563 kg (3,446 lb.) at 9.1 m (29.9 ft.)
Log Grapple		4048				
Maximum Opening		1219 mm (48 in.)				
Minimum Opening		102 mm (4 in.)				



MKBL337U (24-02)

Contact us to learn more.

JohnDeere.com/Knuckleboom
JohnDeere.ca/Knuckleboom



JOHN DEERE