

Brushless

Satisfy the customer demands
and create Brushless brand



**DC BRUSHLESS
MOTOR
CONTROLLER**



**DC BRUSHLESS
MOTOR**



BLDC Motor Price List

Model		Motor Price (USD/pcs)	Controller Price (USD/pcs)	Rated Power (kW)	Rated Speed (RPM)	Motor Weight (Kg)	A Dimension (mm)	B Dimension (mm)
60mm Series Brushless DC Motor								
Brushless-D2BLD5030S	12/24/36V	156.98	233.52	0.05	3000	2	80	25
Brushless-D2BLD10030S	12/24/36/48V	178.58	196.98	0.1	3000	2.5	100	25
Brushless-D2BLD15030S	12V	203.56	196.98	0.15	3000	3	120	25
86mm Series Brushless DC Motor								
Brushless-D5BLD20030S	12/24/36/48V	245.39	196.98	0.2	3000	3	80	37
Brushless-D5BLD25030S	12/24/36/48V	266.19	196.98	0.25	3000	3	80	37
Brushless-D5BLD30030S	12/24/36/48V	287.52	196.98	0.3	3000	6	90	37
Brushless-D5BLD35030S	12/24/36/48V	298.62	395.52	0.35	3000	6	80	37
Brushless-D5BLD75030S	24/36/48V	352.77	283.36	0.75	3000	8	130	37
110mm Series Brushless DC Motor								
Brushless-D110BLD600	24/36/48V	505.88	395.52	0.6	3000	6.6	93	35
Brushless-D110BLD1000	24/36/48V	415.85	283.36	1	3000	4.2	123	35
Brushless-D110BLD1500	36/48V	432.36	438.06	1.5	3000	5.5	153	35

Note:

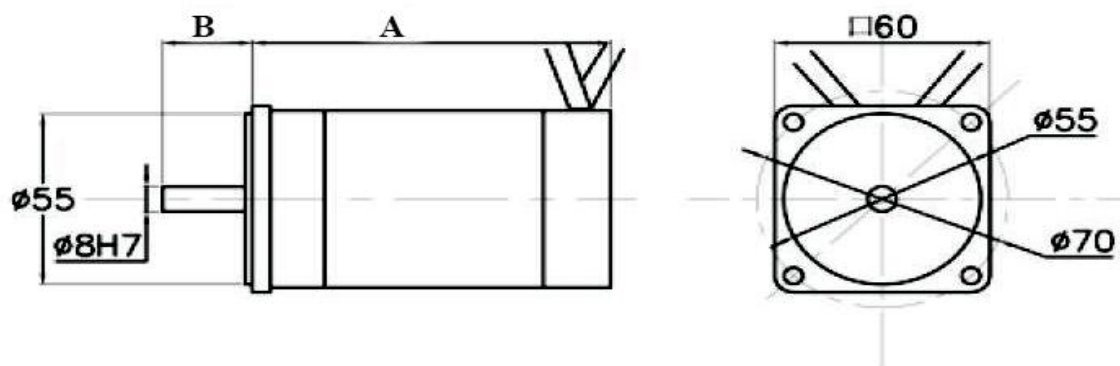
1. All of the models can be customized according to your requirements, **delivery time about 25 days**.
2. The prices in the table are just for your reference. If you want to get the latest quotation, please feel free to contact us.

Brushless

60mm Series Brushless DC Motor



DIMENSION: UNIT=mm



SPECIFICATIONS

Model	Rated Voltage (V)	Rated Power (kW)	Rated Torque (Nm)	Rated Speed (RPM)	Rated Electric Current (A)	Peak Torque (Nm)
Brushless-D2BLD5030S-12	12	0.05	0.16	3000	5.21	0.48
Brushless-D2BLD10030S-12	12	0.1	0.32	3000	10.42	0.96
Brushless-D2BLD15030S-12	12	0.15	0.48	3000	15.63	1.43
Brushless-D2BLD5030S-24	24	0.05	0.16	3000	2.6	10
Brushless-D2BLD10030S-24	24	0.1	0.32	3000	5.21	0.96
Brushless-D2BLD5030S-36	36	0.05	0.16	3000	1.7	0.48
Brushless-D2BLD10030S-36	36	0.1	0.32	3000	3.4	0.96
Brushless-D2BLD10030S-48	48	0.1	0.32	3000	2.6	0.96

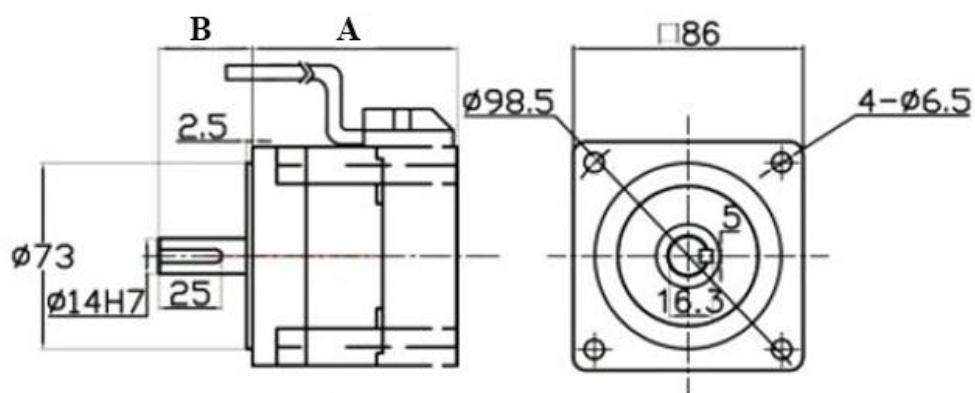
Note: Motor power, voltage, speed can be customized.

Brushless

86mm Series Brushless DC Motor



DIMENSION: UNIT=mm



SPECIFICATIONS

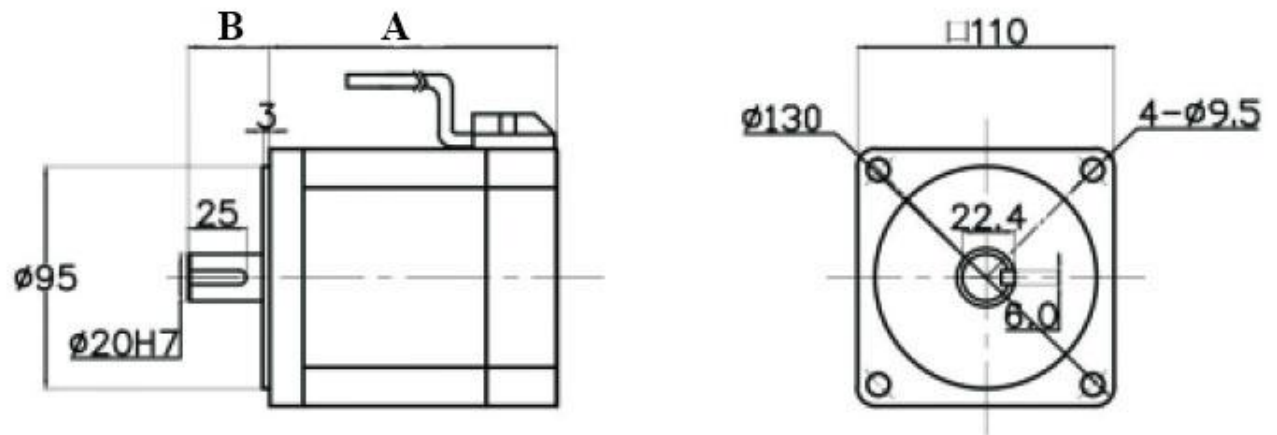
Model	Rated Voltage (V)	Rated Power (kW)	Rated Torque (Nm)	Rated Speed (RPM)	Rated Electric Current (A)	Peak Torque (Nm)
Brushless-D5BLD20030S-12	12	0.2	0.64	3000	20.83	1.91
Brushless-D5BLD25030S-12	12	0.25	0.8	3000	26.06	2.39
Brushless-D5BLD30030S-12	12	0.3	0.96	3000	31.25	2.87
Brushless-D5BLD35030S-12	12	0.35	1.12	3000	36.94	3.35
Brushless-D5BLD20030S-24	24	0.2	0.64	3000	10.4	1.91
Brushless-D5BLD25030S-24	24	0.25	0.8	3000	13	2.39
Brushless-D5BLD30030S-24	24	0.3	0.96	3000	15.6	2.87
Brushless-D5BLD35030S-24	24	0.35	1.12	3000	15.6	3.35
Brushless-D5BLD75030S-24	24	0.75	2.39	3000	39	7.16
Brushless-D5BLD20030S-36	36	0.2	0.64	3000	6.94	1.91
Brushless-D5BLD25030S-36	36	0.25	0.8	3000	8.59	2.39
Brushless-D5BLD30030S-36	36	0.3	0.96	3000	10.9	2.87
Brushless-D5BLD35030S-36	36	0.35	1.12	3000	12.19	3.35
Brushless-D5BLD75030S-36	36	0.75	2.39	3000	26.04	7.16
Brushless-D5BLD20030S-48	48	0.2	0.64	3000	5.21	1.91
Brushless-D5BLD25030S-48	48	0.25	0.8	3000	6.51	2.39
Brushless-D5BLD30030S-48	48	0.3	0.96	3000	7.21	2.87
Brushless-D5BLD35030S-48	48	0.35	1.12	3000	9.81	3.35
Brushless-D5BLD75030S-48	48	0.75	2.39	3000	19.52	7.16

Note: Motor power, voltage, speed can be customized.

Brushless

110mm Series Brushless DC Motor

DIMENSION: UNIT=mm



SPECIFICATIONS

Model	Rated Voltage (V)	Rated Power (kW)	Rated Torque (Nm)	Rated Speed (RPM)	Rated Electric Current (A)	Peak Torque (Nm)
Brushless-D110BLD600-24	24	0.6	1.91	3000	31.2	5.73
Brushless-D110BLD1000-24	24	1	3.18	3000	52	9.55
Brushless-D110BLD600-36	36	0.6	1.91	3000	20.83	5.73
Brushless-D110BLD1000-36	36	1	3.18	3000	34.72	9.55
Brushless-D110BLD1500-36	36	1.5	4.78	3000	52.08	14.33
Brushless-D110BLD600-48	48	0.6	1.91	3000	15.63	5.73
Brushless-D110BLD1000-48	48	1	3.18	3000	26.04	9.55
Brushless-D110BLD1500-48	48	1.5	4.78	3000	39.06	14.33

Note: Motor power, voltage, speed can be customized.