

System Design Guide for Audio Installation

Conference Rooms /
Classrooms / Auditoriums

Commercial Facilities
(Hotels and Banquet Halls / Retail)

Live Entertainment

Broadcasting Stations
and Studios

Live Streaming

Main Products Info
Index

Integrator Concepts, Systems, and Solutions

System Design Guide for Installations

Introduction

Due to the evolution of technology, AV installations with new levels of sophistication and flexibility have emerged.

The evolution of video, lighting and network technologies has created new systems and services with maximum versatility, a productive user experience, and premium audio quality. Because of this, proper technical knowledge and a solution-based approach is becoming more essential for both system engineers and sales consultants to provide customers a creative and successful solution with the best quality. TASCAM produced this design guide to meet such needs, and to visually present project proposals more clearly by illustrating system examples based on application or project type.

TEAC CORPORATION



Table of Contents

1. Conference Rooms / Classrooms / Auditoriums

1-1	AV System for Small-Mid Scale Conference Rooms	4	
1-2	Sound System for Conference Rooms	5	
1-3	Multi-Channel Recording System for Parliament Conferences	6	✦ Dante
1-4	Audio-Visual Room System	7	
1-5	Panel Discussions and Talk Shows Using the Automatic Mixer Function	8	
1-6	Sound System for Auditoriums/Gymnasiums	9	
	Case Study	10	

2. Commercial Facilities (Hotels and Banquet Halls/Retail)

2-1	Sound System for Banquet Halls, Lectures and Conferences	11	
2-2-1	Sound System for Banquet Halls and Lectures Using Dante (Input)	12	✦ Dante
2-2-2	Sound System for Banquet Halls and Lectures Using Dante (Output)	13	✦ Dante
2-3	System for Multi-Purpose Banquet Halls	14	
2-4	Sound System for Retail Stores	15	
2-5	All-in-One Amplification System for Small-Scale Stores	16	
2-6	PA System for Waiting Rooms	17	
2-7	BGM/Announcement Playback System for Area Division in Shopping Malls, etc.	18	✦ Dante
2-8	BGM System for Restaurants	19	
2-9	BGM System for Restaurants	20	
2-10	BGM System for Small Shops Using Dante	21	✦ Dante

3. Live Entertainment

3-1	Multi-Sound Playback System	22	✦ Dante
3-2	PA Wireless Mic System for Theaters Using Dante	23	✦ Dante
3-3	Fixed Installations for Halls	24	✦ Dante
3-4	SR System for Music Venues Using Dante	25	✦ Dante
3-5	96kHz Live SR/Recording System Using a FOH and Monitor Console	26	✦ Dante
3-6	AB-Roll and Multi-Track Playback in Theaters	27	✦ Dante
3-7	DAW Live Recording and Backup Recording System	28	✦ Dante
3-8	Video Sync Multi-Playback	29	✦ Dante
	Case Study	30, 31	

4. Broadcasting Stations and Studios

4-1	Inter-Room Talkback System Between the Master Room and Studio	32	
4-2	Audio System for Radio Studios	33	✦ Dante
4-3	Audio System for Small-Mid TV Studios	34	✦ Dante
4-4	TV Relay System	35	✦ Dante
4-5	High Compatibility with Next-Generation Broadcast Studio Systems Built on SMPTE ST 2110	36	
4-6	Television Broadcasting System Using AFV Function	37	
4-7	Video Content Audition in Post-Production Studios	38	
	Case Study	39, 40	

5. Live Streaming

5-1	Simple Streaming System for Concerts & Events	41	
5-2	Event Distribution at Schools, etc. Using Smartphones	42	
5-3	VTuber Live Game and e-Sports Distribution Events	43	
5-4	Live Music Streaming/Archiving	44	✦ Dante
	Case Study	45, 46	

6. Main Products Information/Index

Main Product Information	47
Index	48



1-1 AV System for Small-Mid Scale Conference Rooms

Space-Saving

Adjustable Sound via DSP

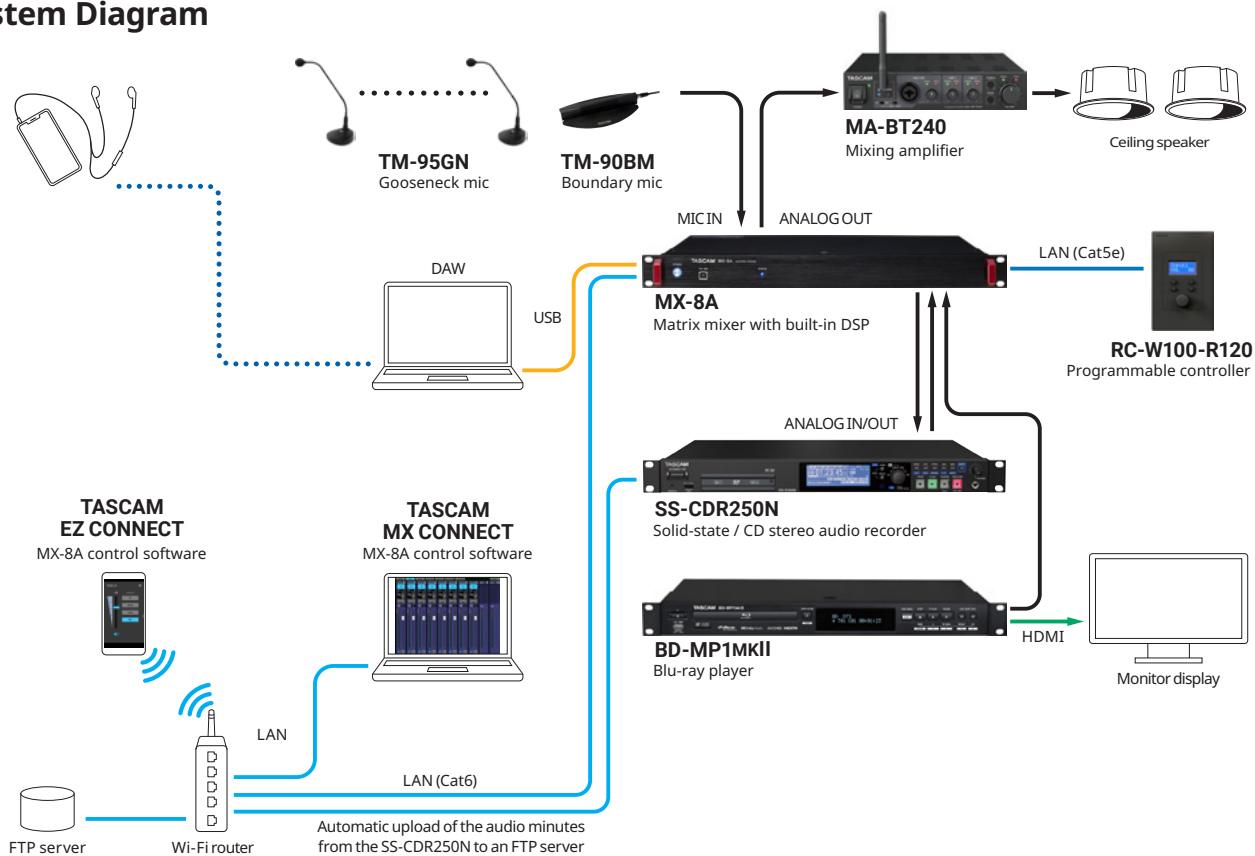
Easy Smartphone Control

This system uses the MX-8A to manage microphones and signal flow used in a conference room. Sound and microphone levels in the room can be efficiently adjusted through the TASCAM MX CONNECT control software, or the TASCAM EZ CONNECT control app which allows easy volume control and source selection for the entire room.

The MX-8A includes a 2-in/2-out USB audio interface, allowing recording to or playback from connected PCs.

The SS-CDR250N offers automatic uploading of the recorded data to FTP servers and is also suitable for archiving each conference audio minutes or as a centralized data management console.

System Diagram



TASCAM Equipment Installed

Product Outline	Model Name	Remarks
8 in / 8 out matrix mixer with built-in DSP	MX-8A	
Wall-mount programmable controller	RC-W100	
Control software for system integrators / managers	TASCAM MX CONNECT	
Control software for end-users	TASCAM EZ CONNECT	
Solid state / CD stereo audio recorder / player	SS-CDR250N	
Blu-ray™ player	BD-MP1MKII	
High and low impedance mixing amplifier with microphone input and Bluetooth®	MA-BT240	
Gooseneck condenser microphone	TM-95GN	
Boundary condenser microphone	TM-90BM	

1-2 Sound System for Conference Rooms

Multi-person
Mic Control

Individual Speaker
Recording

DAW
Compatibility

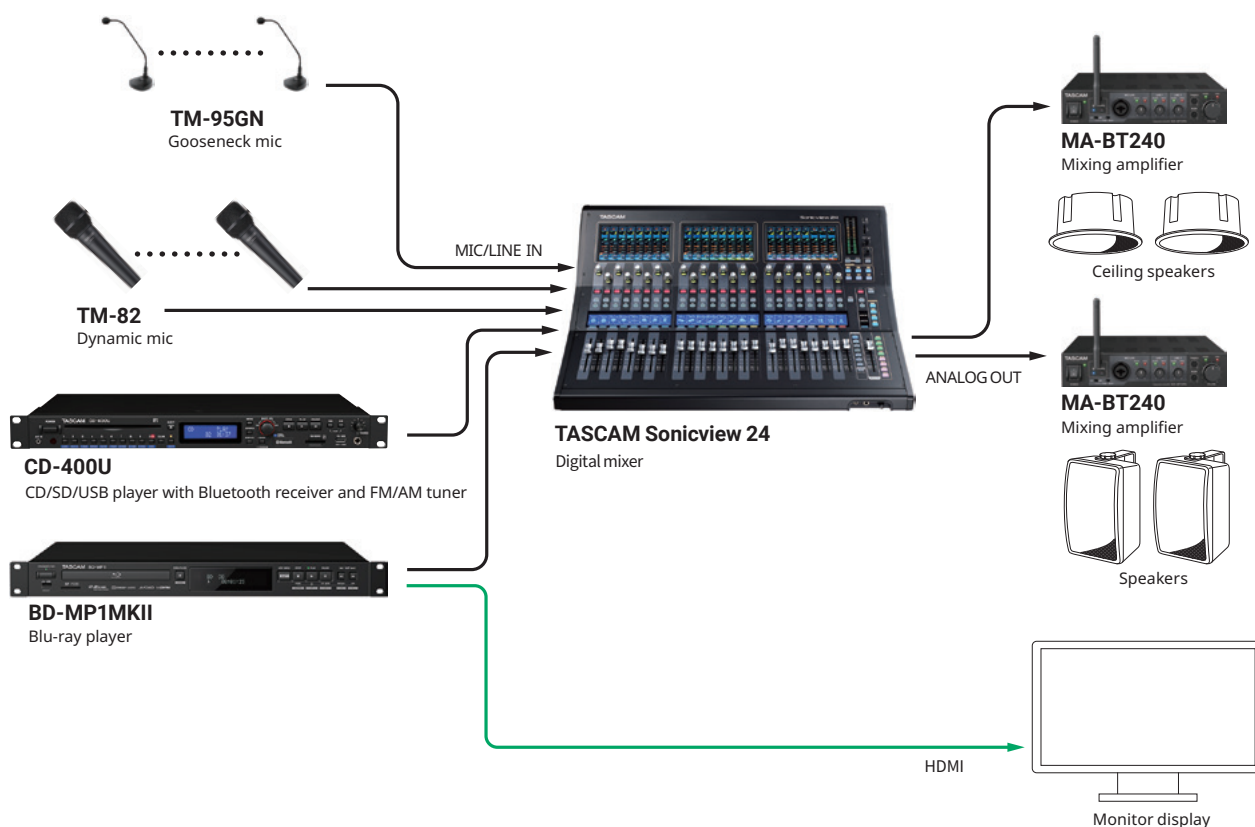
For larger conference systems where loudspeakers are installed and each attendee has an individual microphone, a mixer that supports multiple mic input connections like TASCAM Sonicview 24 is required.

The console can also be used with the IF-MTR32 option card for up to 32-track multitrack recording. The TASCAM Sonicview 24 can also be used for recording conferences.

Used as a multi-track recorder, each audio channel is recorded on a separate track, allowing easy recording down of each attendee's voice by recording their respective input channel.



System Diagram



TASCAM Equipment Installed

Product Outline	Model Name	Remarks
Digital mixer	TASCAM Sonicview 24	
CD/SD/USB player with Bluetooth® receiver and FM/AM tuner	CD-400U	
Blu-ray™ player	BD-MP1MKII	
High and low impedance mixing amplifier with microphone input and Bluetooth®	MA-BT240	
Gooseneck condenser microphone	TM-95GN	
Dynamic microphone	TM-82	
32ch multi-track recording card	IF-MTR32	

1-3 Multi-Channel Recording System for Parliament Conferences

Less Wiring and Installation Procedures

Long-Distance Audio Transmission

Individual Recording



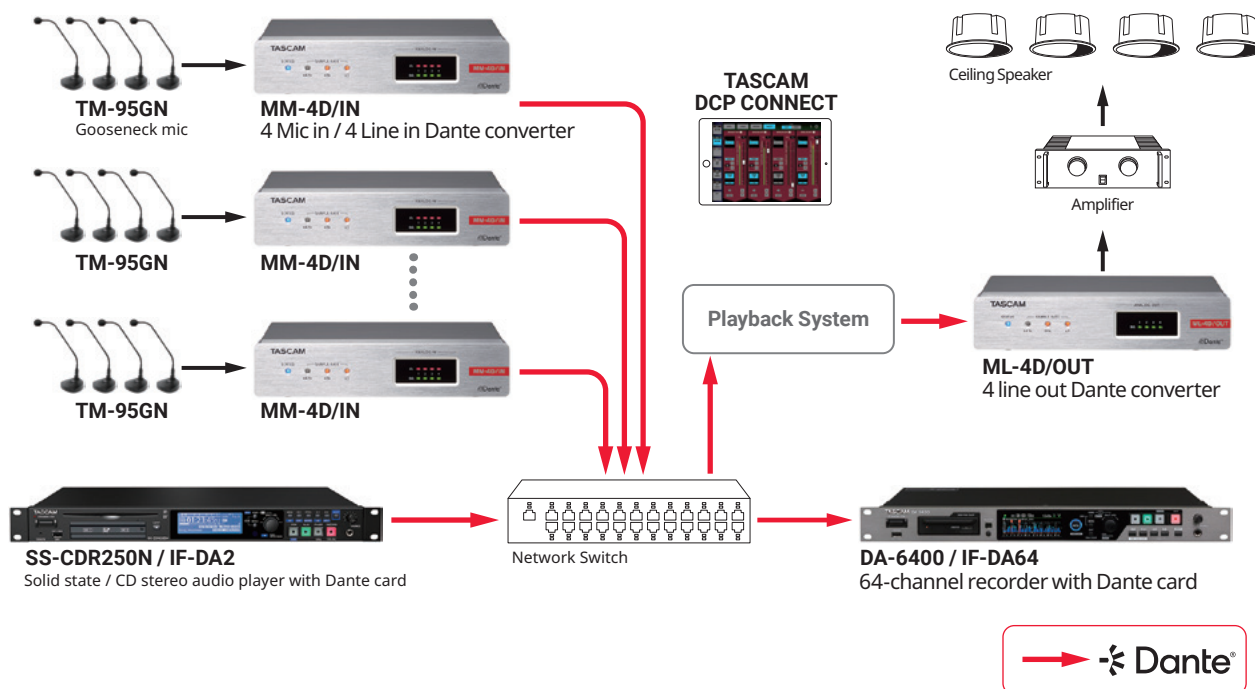
This conference recording system is optimal for large-scale conferences in which each participant requires individual microphones. The MM-4D/IN Dante converter allows the connection of up to 4 microphones per unit; after audio is converted to Dante signals, they can be transmitted long distances using standard cat 5 cables, requiring less wiring and installation procedures.

The built-in DSP functions in the MM-4D/IN, such as high pass filter and limiter, will enable fine adjustment for a more articulate voice audio quality.

In addition, routing signals via Dante will give users the option to do multi-channel recordings.



System Diagram



TASCAM Equipment Installed

Product Outline	Model Name	Remarks
4 mic in / 4 line in Dante converter with built-in DSP mixer	MM-4D/IN-X	
4 line out Dante converter with built-in DSP mixer	ML-4D/OUT-X	
DCP control software for system integrators / managers	TASCAM DCP CONNECT	
Control software for end-users	TASCAM EZ CONNECT	
DCP series dedicated AC adapter	PS-P1220E	
DCP series dedicated rackmount shelf	AK-RS1	
Solid state / CD stereo audio recorder / player	SS-CDR250N	
SS-CDR250N dedicated Dante interface card	IF-DA2	
64-channel digital multitrack recorder	DA-6400	
Dante Interface Card for DA-6400	IF-DA64	
Gooseneck condenser microphone	TM-95GN	

1-4 Audio-Visual Room System

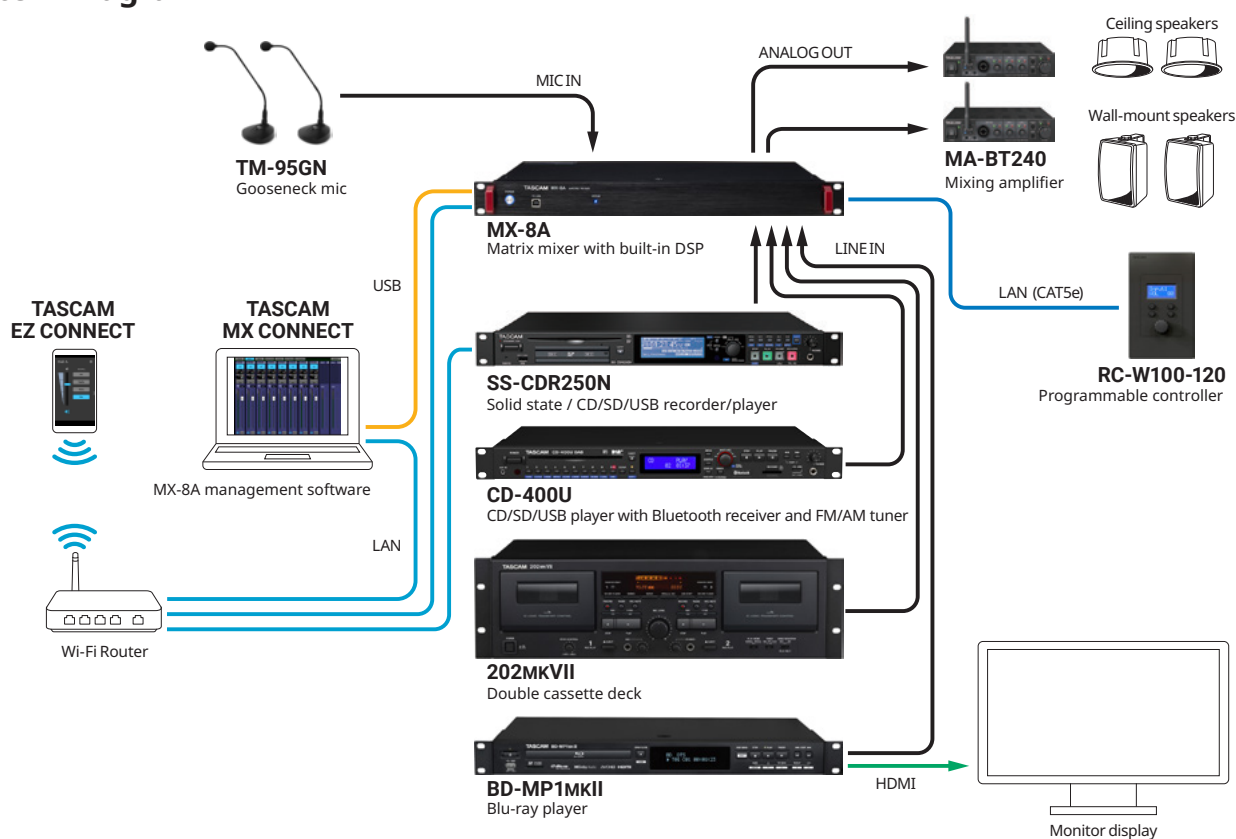
Blu-ray™

Multimedia
Playback

Cassette Tape
Playback

TASCAM's lineup of playback devices will flexibly support the playback of a variety of media sources brought to the room as teaching materials. The BD-MP1MKII serves for visual playback; BGM playback from CD, SD, USB, and Bluetooth can be easily done with the CD-400U; add cassette tape playback with the 202MKVII. In addition, the SS-CDR250N is suitable for archiving and managing data as it will record to CD/SD cards / USB flash drives and automatically upload the recorded data to an FTP server of choice.

System Diagram



TASCAM Equipment Installed

Product Outline	Model Name	Remarks
8 in / 8 out matrix mixer with built-in DSP	MX-8A	
Control software for system integrators / managers	TASCAM MX CONNECT	
Control software for end-users	TASCAM EZ CONNECT	
Wall-mount programmable controller	RC-W100	
Solid state / CD/SD/USB recorder/player	SS-CDR250N	
CD/SD/USB player with Bluetooth® receiver and FM/AM tuner	CD-400U	
Double cassette deck	202MKVII	
Blu-ray™ player	BD-MP1MKII	
High and low impedance mixing amplifier with microphone input and Bluetooth®	MA-BT240	
Gooseneck condenser microphone	TM-95GN	

1-5 Panel Discussions and Talk Shows Using the Automatic Mixer Function

Reduced Mixing Operations

Improved Clarity and Sound Quality

Feedback Suppression

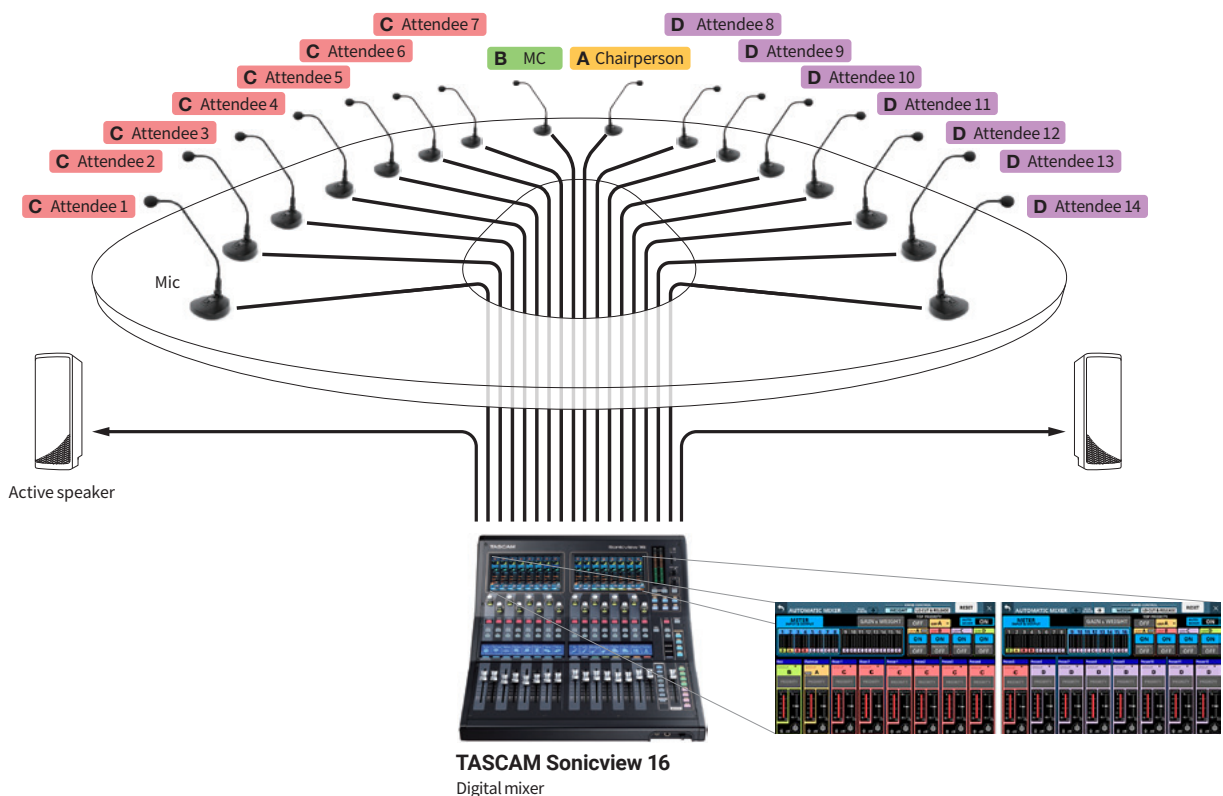
TASCAM Sonicview's Automatic Mixer function is useful for panel discussions and talk shows where multiple microphones are used simultaneously.

By increasing the volume of the microphone of the person speaking and decreasing the volume of those not speaking, feedback is suppressed and comb filtering eliminated, thus improving the sound quality of the speaker and making them easier to hear.

The 16-channel microphone input can be divided into as many as four groups (A, B, C, and D), and the PRIORITY function can be set for each channel or group. Each input channel has a WEIGHT parameter that allows easy configuration of the behavior to match the characteristics of the person speaking.

In addition, the PRIORITY function can be used, for example, to give priority to the chairman or moderator and MUTE the other channels. This is a very useful feature.

System Diagram



TASCAM Equipment Installed

Product Outline	Model Name	Remarks
Digital mixer	TASCAM Sonicview 16	
Gooseneck condenser microphone	TM-95GN	

1-6 Sound System for Auditoriums / Gymnasiums

Flexible Connectivity

Speech and Recital Recording

SD Card Rec/Play Simultaneous Use

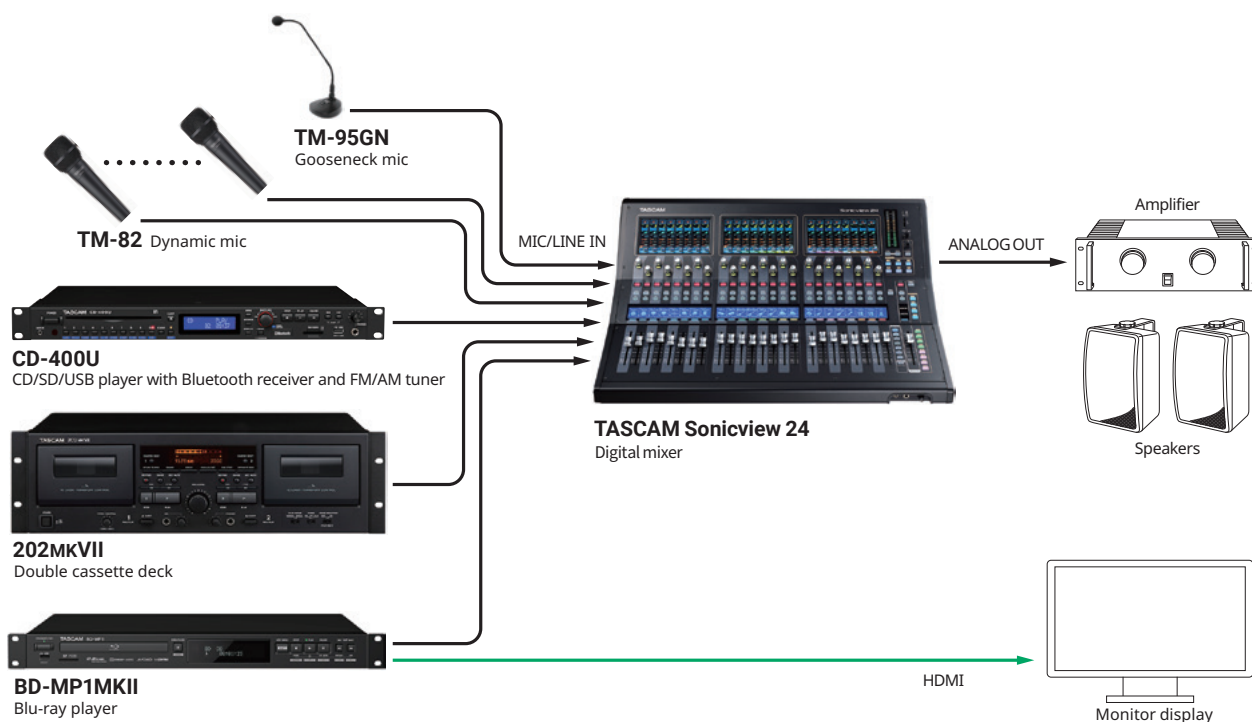
The TASCAM Sonicview 24 is a multifunctional digital mixer that is ideal for gymnasium sound systems that need to accommodate a wide variety of events such as assemblies, lectures, and concerts.

The TASCAM Sonicview 24 provides 24 channels of mic and line inputs, making it flexible for situations where many inputs are required, such as concerts.

The 2-channel record/playback function using an SD card makes it easy to retrieve recorded audio and play it back.



System Diagram



TASCAM Equipment Installed

Product Outline	Model Name	Remarks
Digital mixer	TASCAM Sonicview 24	
CD/SD/USB player with bluetooth® receiver and FM/AM tuner	CD-400U	
Double cassette deck	202MKVII	
Blu-ray™ player	BD-MP1MKII	
Gooseneck condenser microphone	TM-95GN	
Dynamic microphone	TM-82	

2-1 Sound System for Banquet Halls, Lectures and Conferences

Intuitive Controls

Speech & Sideshow Recording

Space-Saving

The TASCAM Sonicview 16 is suitable for relatively small banquet hall sound systems. The TASCAM Sonicview 16 is a multifunctional digital mixer with intuitive, analog-like operation.

The TASCAM Sonicview 16 has 16 channels of XLR balanced inputs and 16 XLR balanced outputs. So, even with only the analog inputs and outputs on the main unit, it can handle a small to medium-sized system.

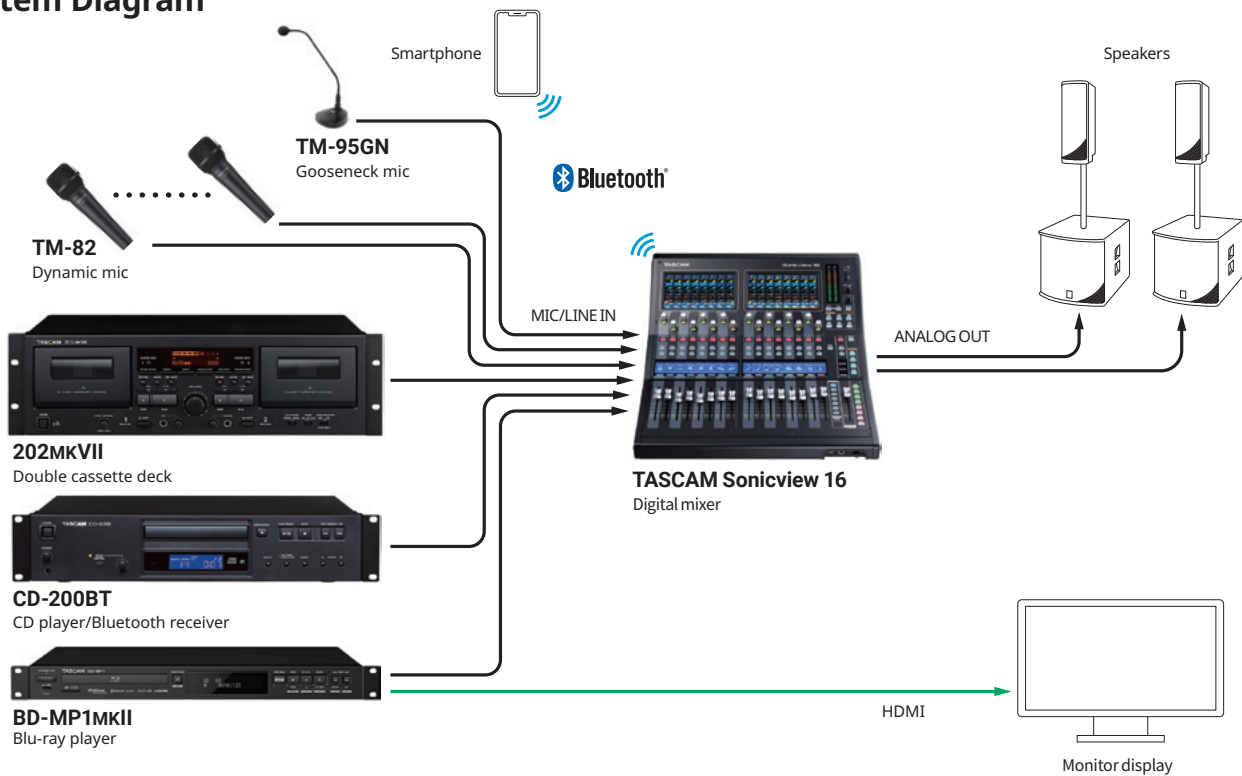
In addition, if you attach the optional IF-MTR32 to the TASCAM Sonicview 16, it can be used as a multitrack recorder.

It can also be used to record speeches, karaoke, and band performances.



Commercial Facilities
(Hotels and Banquet Halls / Retail)

System Diagram



TASCAM Equipment Installed

Product Outline	Model Name	Remarks
Digital mixer	TASCAM Sonicview 16	
Double cassette deck	202 MKVII	
CD player	CD-200BT	
Blu-ray™ player	BD-MP1MKII	
Dynamic microphone	TM-82	
Gooseneck condenser microphone	TM-95GN	
32ch multi-track recording card	IF-MTR32	

2-2-1 Sound System for Banquet Halls and Lectures Using Dante (Input)

Space-Saving

Intuitive Control

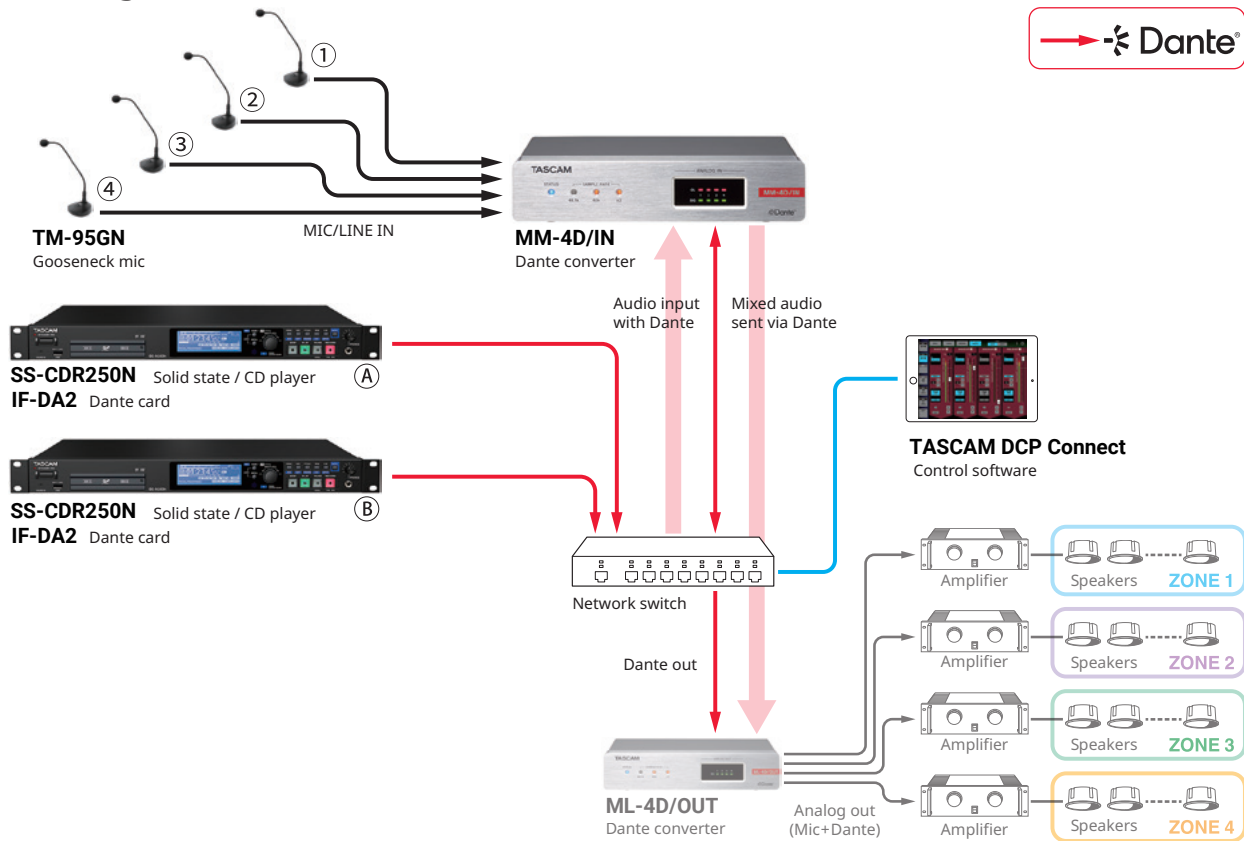
Long-Distance Transmission



The MM-4D/IN Dante converter is the most compact and suitable unit for small-scale systems using Dante input. The MM-4D/IN can bring together four mic/line inputs and four channels of Dante input so system management of different floors or separate buildings is possible as the mixed audio is sent via Dante.



System Diagram



TASCAM Equipment Installed

Product Outline	Model Name	Remarks
4ch Mic/Line input Dante converter with built-in DSP mixer	MM-4D/IN	
AC adapter	PS-P1220E	Not required if using a PoE switching hub
Rackmount shelf	AK-RS1	
Solid state / CD stereo audio recorder / player	SS-CDR250N	
Dante interface card	IF-DA2	
Gooseneck condenser microphone	TM-95GN	
Control software	TASCAM DCP Connect	

2-2-2 Sound System for Banquet Halls and Lectures Using Dante (Output)

Space-Saving

Intuitive Control

Individual Area Adjustment

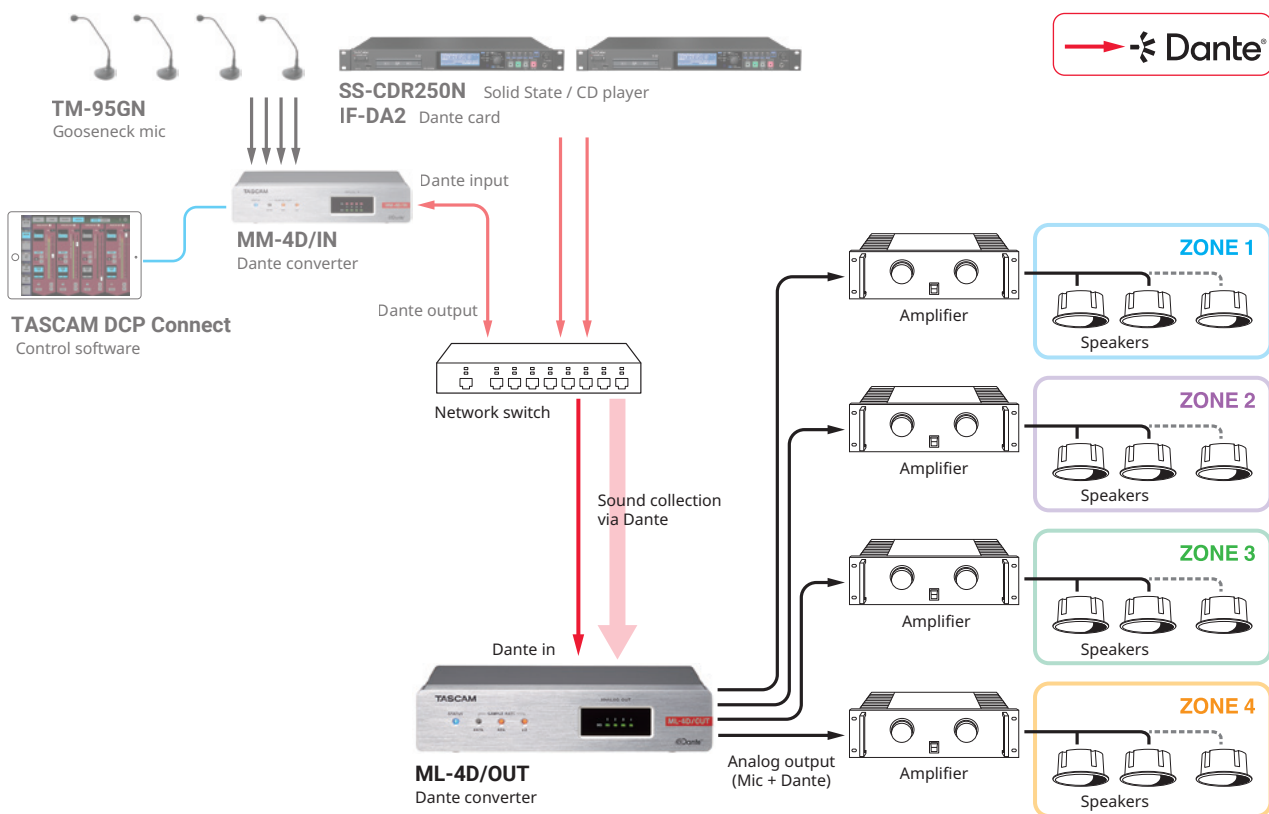


The Dante converter MM-4D/OUT is suitable for constructing a sound system for banquet halls where applications and area classifications change daily. The ML-4D/OUT collects the audio sources via Dante and sends it out to four analog channels at separate volumes. Each output is also equipped with a DSP including a 10-band parametric EQ and limiter.



Commercial Facilities
(Hotels and Banquet Halls / Retail)

System Diagram



TASCAM Equipment Installed

Product Outline	Model Name	Remarks
4 line out Dante converter with built-in DSP mixer	ML-4D/OUT-X	
AC adapter	PS-P1220E	Not required if using a PoE switching hub
Rackmount shelf	AK-RS1	
Control software	TASCAM DCP CONNECT	

2-3 System for Multi-Purpose Banquet Halls

Space-Saving

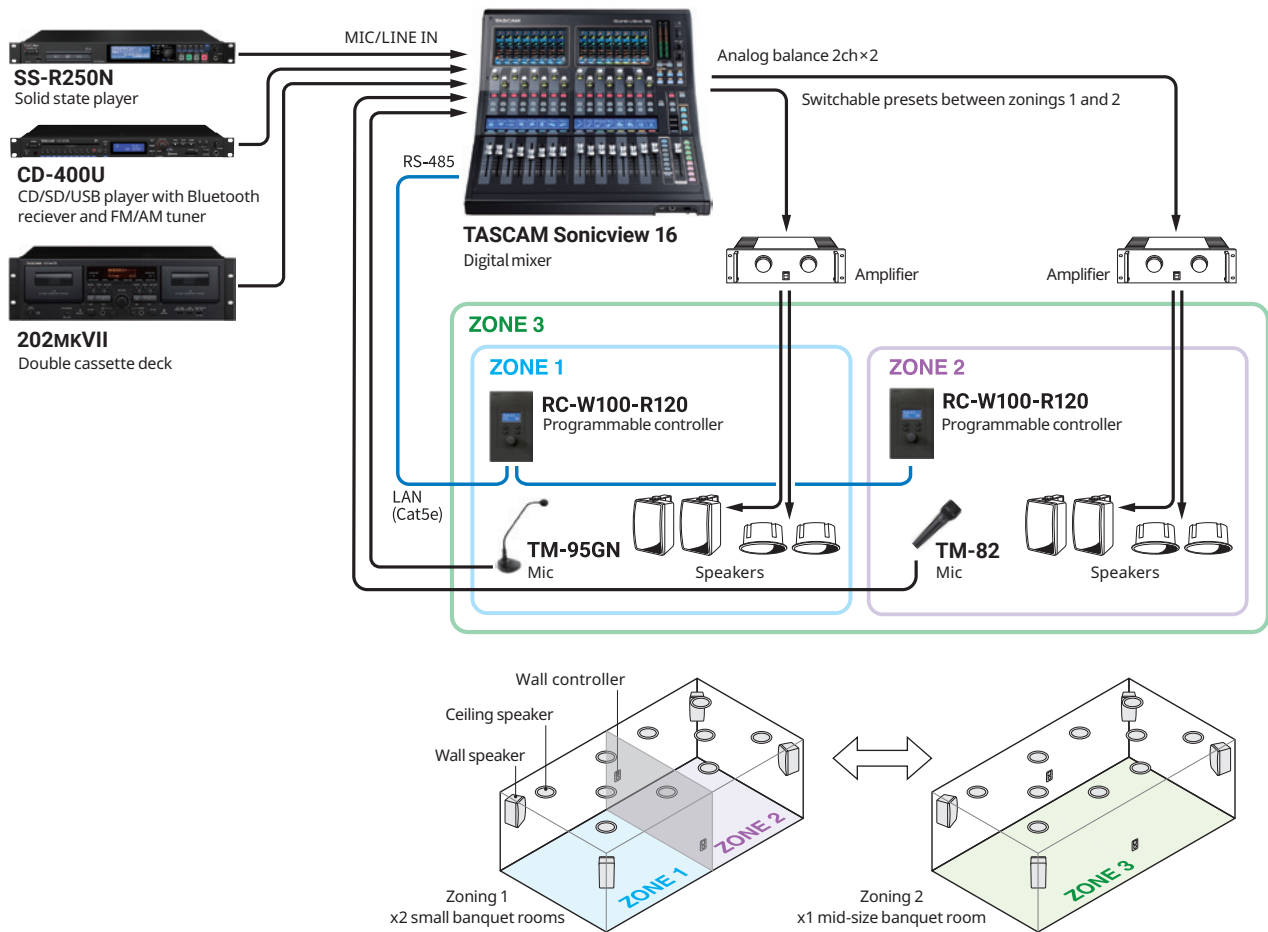
Sound Adjustment Per Area

Scene Preset

Multi-use banquet halls are commonly used for wedding receptions, banquets, conferences and more. Depending on the usage or the way these halls are divided, there is a variety of sound system requirements.

TASCAM Sonicview 16 has 18 "USER KEYS" that can be assigned to various functions such as snapshot recall and direct control. The "Snapshot" function allows you to save the settings for each use and room assignment, and then use them in a single action to respond to various cases according to the environment in which you are using the room.

System Diagram



TASCAM Equipment Installed

Product Outline	Model Name	Remarks
Digital mixer	TASCAM Sonicview 16	
Wall-mount programmable controller	RC-W100	
Solid state / CD stereo audio recorder	SS-R250N	
CD/SD/USB player with Bluetooth® receiver and FM/AM tuner	CD-400U	
Double cassette deck	202MKVII	
Gooseneck condenser microphone	TM-95GN	
Dynamic microphone	TM-82	

2-4 Sound System for Retail Stores

Individual Zone Playback

Bluetooth Playback

Clear Audio Announcements

Background music sources can be assigned individually to each of the 3 independent zone outputs of the MZ-123BT, allowing different background music to play in separate areas of a retail store.

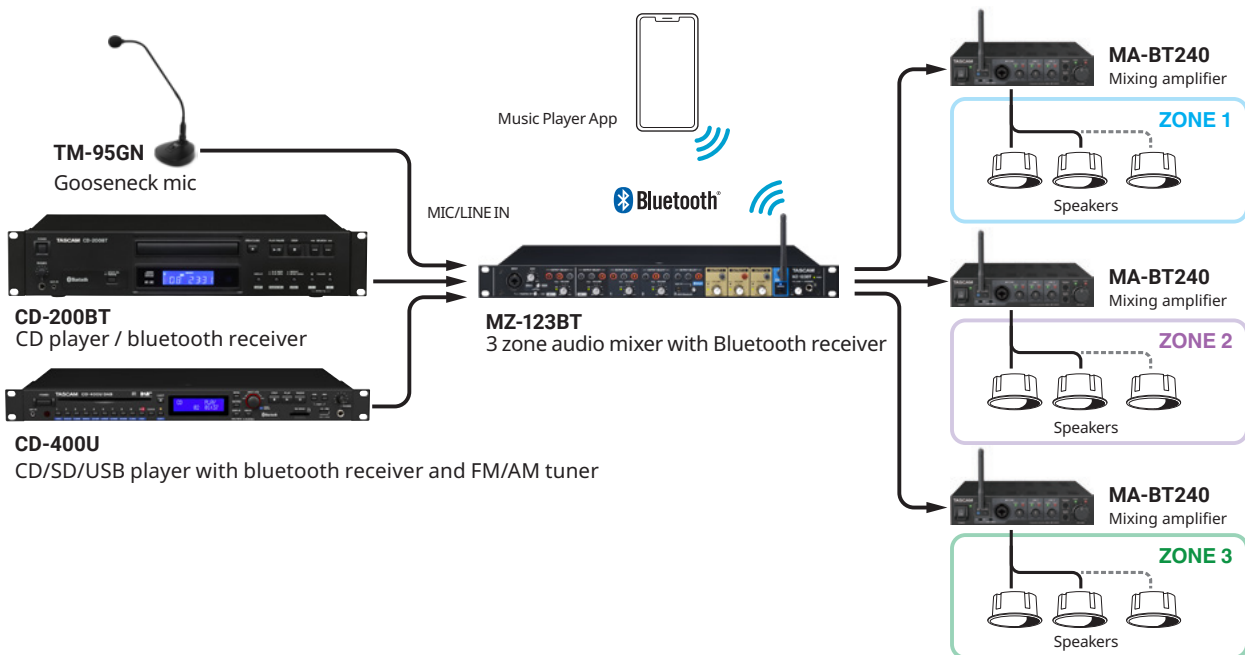
Music sources can be played by connecting other TASCAM playback equipment or via smartphones / tablets using the integrated Bluetooth receiver in the MZ-123BT.

The MZ-123BT also provides 2 microphone inputs and a convenient talkover function, which will automatically detect mic signal input and attenuate background music levels, enabling clear audio in-store announcements.



Commercial Facilities
(Hotels and Banquet Halls / Retail)

System Diagram



TASCAM Equipment Installed

Product Outline	Model Name	Remarks
3 zone audio mixer with Bluetooth® receiver	MZ-123BT	
CD player	CD-200BT	
CD/SD/USB player with Bluetooth® receiver and FM/AM tuner	CD-400U	
High and low impedance mixing amplifier with microphone input and Bluetooth®	MA-BT240	
Gooseneck condenser microphone	TM-95GN	

2-5 All-in-One Amplification System for Small-Scale Stores

Easy Mixing

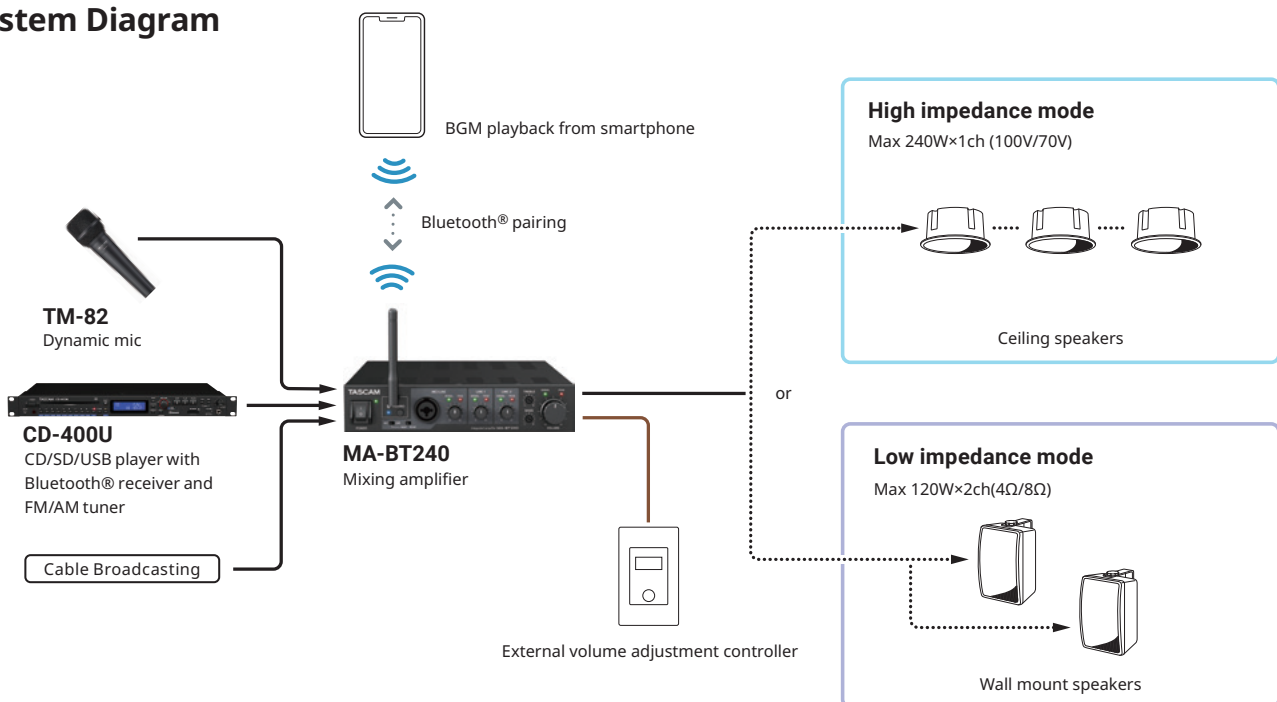
High Output
Low-High Impedance

Bluetooth

The MA-BT240 is suitable for small-scale stores' amplification systems. It supports high output low/high impedance connections, and with its compact 1U half-rack size, it can be installed on top of any type of table, shelf, or gear rack. The MA-BT240 has a built-in Bluetooth receiver that enables BGM playback from smartphones and tablets; a microphone input with a ducking function that automatically attenuates BGM during announcements; and many more convenient functions all of which can be easily operated from the front panel. No complicated PC settings are required as the MA-BT240's simple operation makes it possible for those who are not familiar with the equipment to create their desired sound space after setup. In addition, the simple mixing function eliminates the need for a separate console while contributing to a low-budget system.



System Diagram



TASCAM Equipment Installed

Product Outline	Model Name	Remarks
High and low impedance mixing amplifier with microphone input and Bluetooth®	MA-BT240	
CD/SD/USB player with Bluetooth® receiver and FM/AM tuner	CD-400U	
Dynamic microphone	TM-82	

2-6 PA System for Waiting Rooms

Clear Announcements

Individual Zone Playback

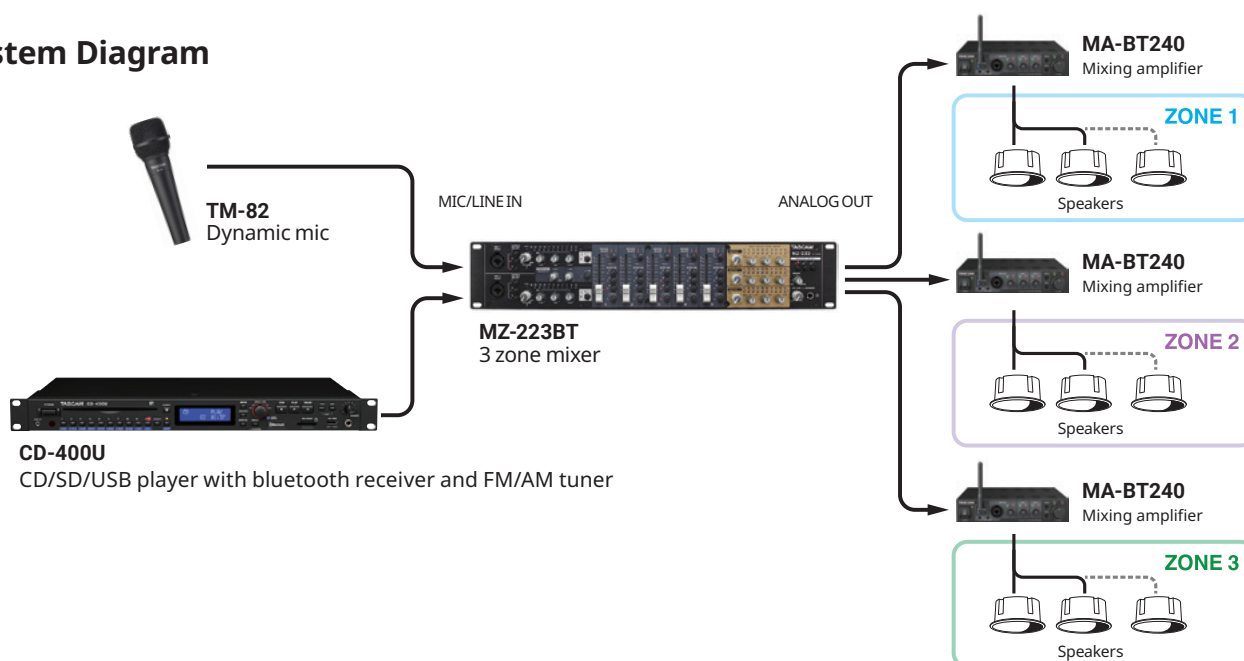
Fader Operation

MZ-223's talkover function makes it a suitable choice for waiting rooms in facilities where customer paging is required. The talkover function will automatically detect mic signal input and attenuate background music levels, enabling easy-to-hear announcements and paging.

Also, the 3 independent outputs in MZ-223 allows for background music and announcements to be separately played in areas other than the waiting room.



System Diagram



TASCAM Equipment Installed

Product Outline	Model Name	Remarks
3 zone mixer	MZ-223	
CD/SD/USB player with Bluetooth® receiver and FM/AM tune	CD-400U	
High and low impedance mixing amplifier with microphone input and Bluetooth®	MA-BT240	
Dynamic microphone	TM-82	

2-7 BGM / Announcement Playback System for Area Division in Shopping Malls, etc.

Individual Zone Playback

System Management

Easy Expansion



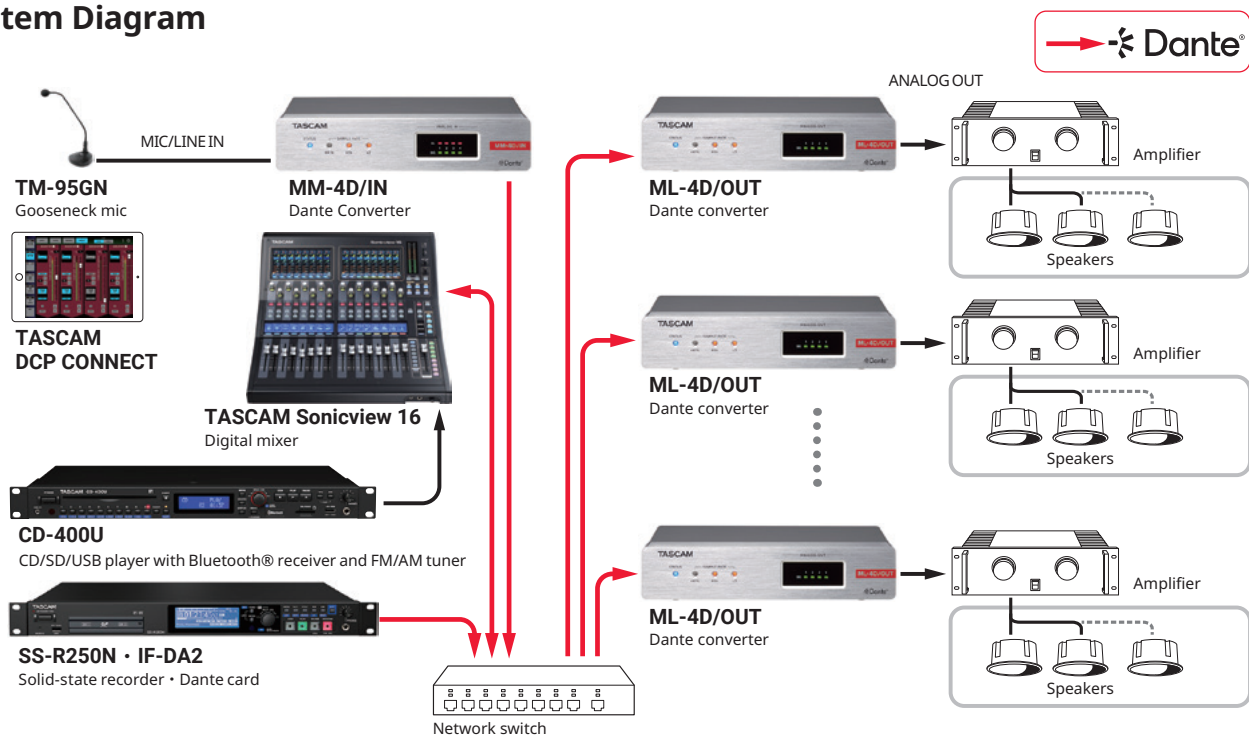
Using the MM-4D/IN and the ML-4D/OUT will enable each floor or area to have different background music and announcement playback, as well as optimal sound adjustment thanks to the ducking and ANC* functions installed in both units.

Meanwhile, Dante conversion and connectivity will allow for long-distance signal transmission, easy input/output expansion, and the reduction of wiring / installation procedures.

*ANC (ambient noise compensator) function: will automatically adjust the main volume according to the surrounding noise levels for clearer background music and announcement playback.



System Diagram



TASCAM Equipment Installed

Product Outline	Model Name	Remarks
4 mic in / 4 line in Dante converter with built-in DSP mixer	MM-4D/IN	
4 line out Dante converter with built-in DSP mixer	ML-4D/OUT	
DCP control software for system integrators / managers	TASCAM DCP CONNECT	
Control software for end-users	TASCAM EZ CONNECT	
DCP series dedicated AC adapter	PS-P1220E	Not required if using a PoE switching hub
DCP series dedicated rackmount shelf	AK-RS1	
Digital mixer	TASCAM Sonicview 16	
CD/SD/USB player with Bluetooth® receiver and FM/AM tune	CD-400U	
Solid state / CD stereo audio recorder / player	SS-R250N	
SS-R250N dedicated Dante interface card	IF-DA2	
Gooseneck condenser microphone	TM-95GN	

2-8 BGM System for Restaurants

Individual Zone Playback

DSP Sound Adjustment

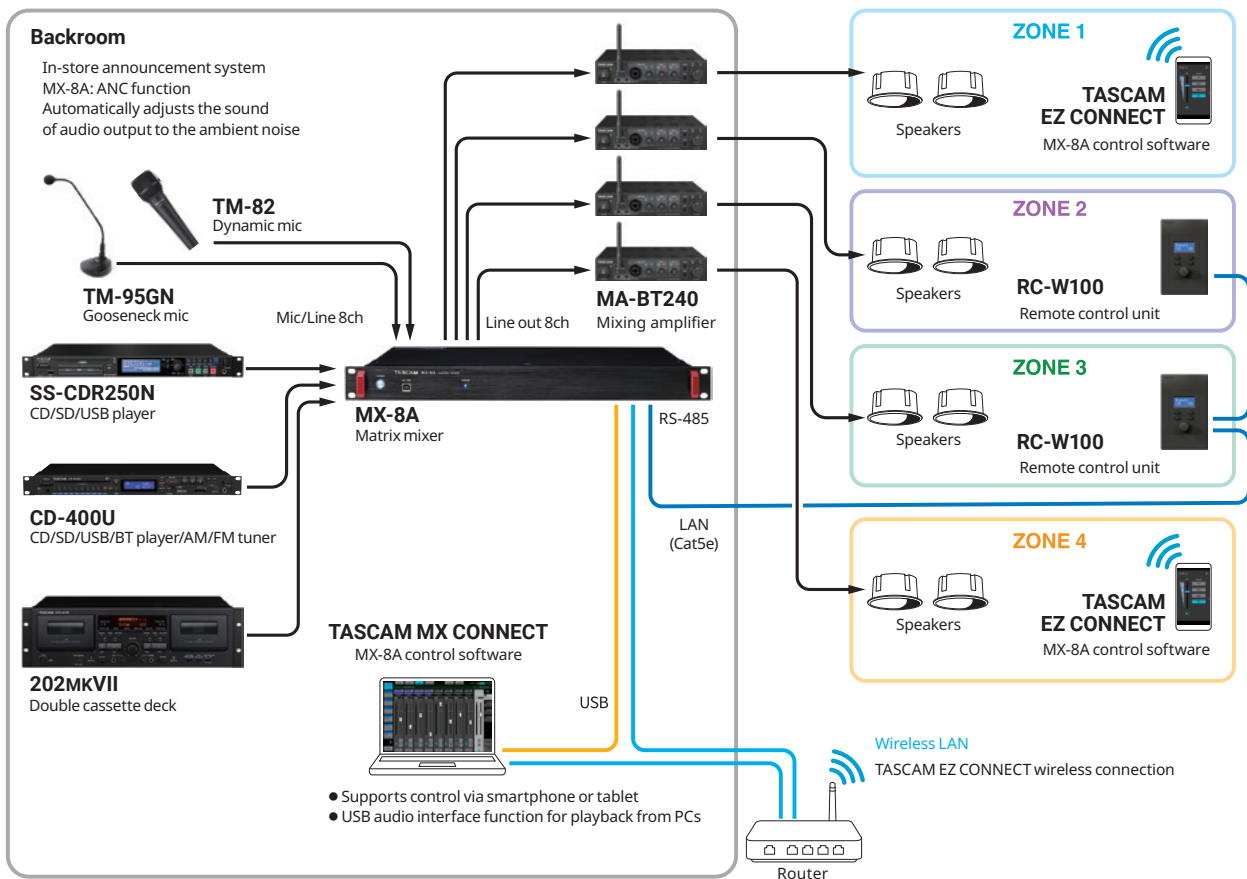
Clear Announcements

The MX-8A enables the construction of a variety of sound systems depending on the application or environment. In this case, using the MX-8A will allow users to assign different background music to the main floor and lounging area, or use the same source but at different volume levels depending on the area.

The ANC* function installed in MX-8A will automatically turn up the microphone volume according to the surrounding noises, providing clear announcements even in noisy environments.

*ANC (ambient noise compensator) function: will automatically adjust the main volume according to the surrounding noise levels for clearer background music or announcement playback.

System Diagram



TASCAM Equipment Installed

Product Outline	Model Name	Remarks
8 in / 8 out matrix mixer with built-in DSP	MX-8A	
Wall-mount programmable controller	RC-W100	
Control software for system integrators / manager	TASCAM MX CONNECT	
Control software for end-users	TASCAM EZ CONNECT	
Solid state / CD stereo audio recorder / player	SS-CDR250N	
CD/SD/USB player with Bluetooth® receiver and FM/AM tuner	CD-400U	
Double cassette deck	202MKVII	
High and low impedance mixing amplifier with microphone input and Bluetooth®	MA-BT240	
Gooseneck condenser microphone	TM-95GN	
Dynamic microphone	TM-82	

2-9 BGM System for Restaurants

Easy Operation

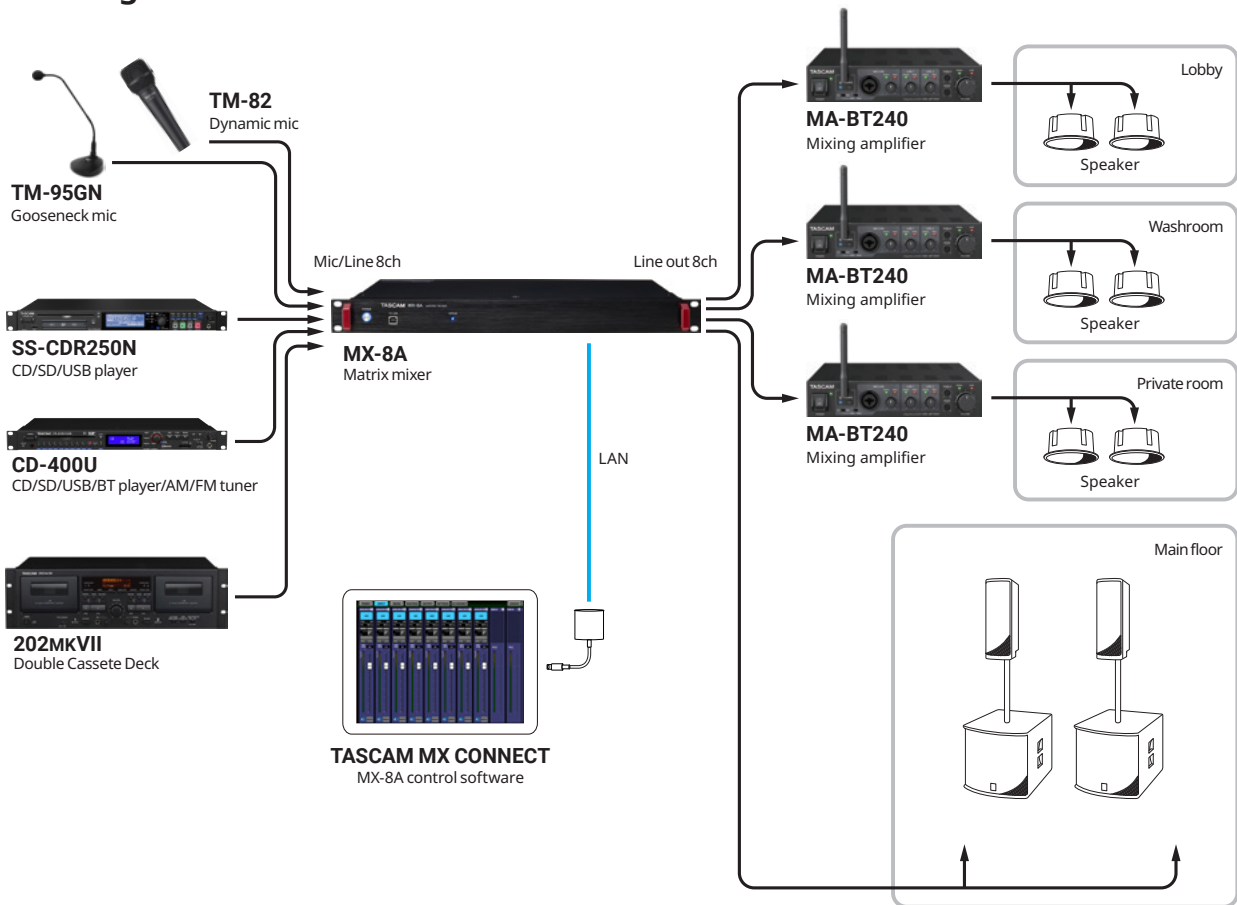
Space-Saving

Individual Area Playback

The MX-8A can be used in a BGM system for small-scale restaurants to play different sound sources in each area, such as the lobby, individual rooms, and the main floor, or to play the same BGM but at a different volume.



System Diagram



TASCAM Equipment Installed

Product Outline	Model Name	Remarks
8 in / 8 out matrix mixer with built-in DSP	MX-8A	
Control software for system integrators / managers	TASCAM MX CONNECT	
Solid state / CD stereo audio recorder / player	SS-CDR250N	
CD/SD/USB player with Bluetooth® receiver and FM/AM tuner	CD-400U	
Double cassette deck	202mkVII	
High and low impedance mixing amplifier with microphone input and Bluetooth®	MA-BT240	
Gooseneck condenser microphone	TM-95GN	
Dynamic microphone	TM-82	

2-10 BGM System for Small Shops Using Dante

Space-saving

Intuitive Control

Sound Adjustable via DSP



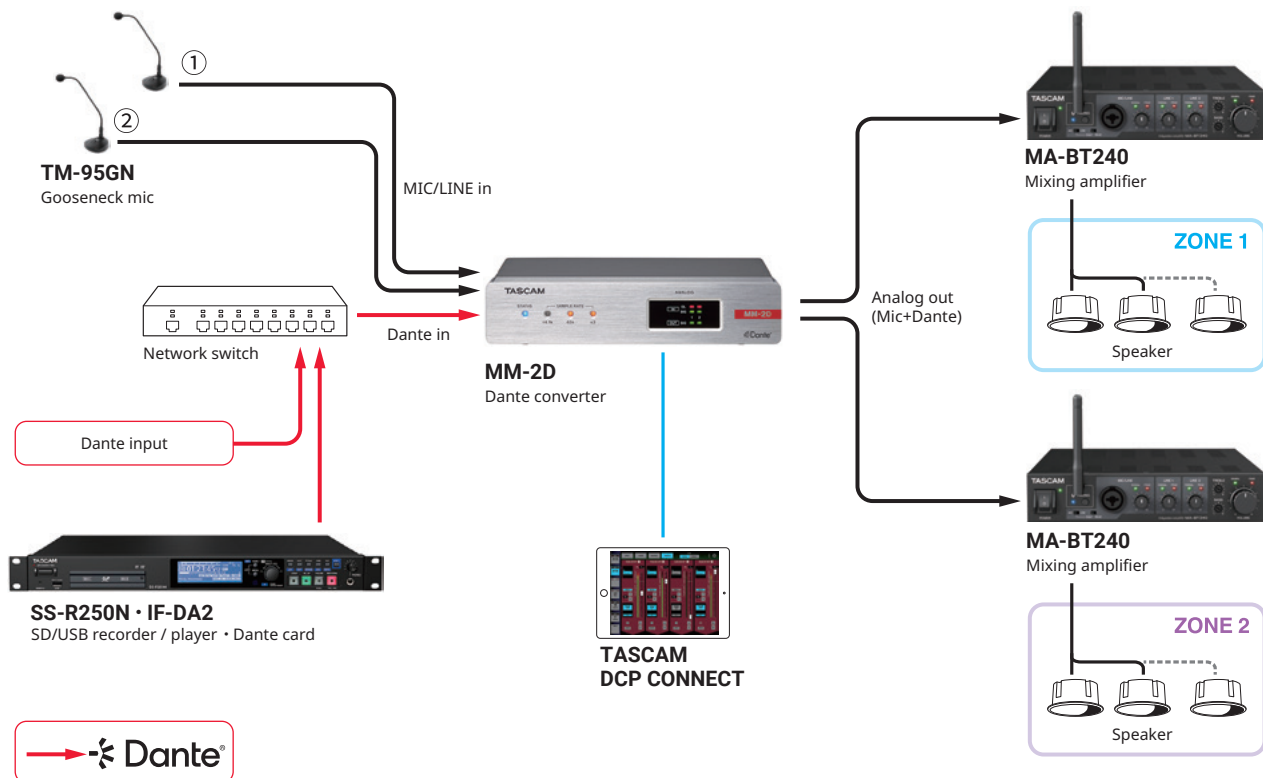
The MM-2D Dante converter with a compact yet highly functional mixer is suitable for small-scale systems using Dante. The MM-2D has DSP functions in its input and output stages, allowing adjustment optimized for the installation environment.

It also supports 4-channel Dante input, making it easy to integrate a playback device with Dante output into the system such as the SS-R250N.



Commercial Facilities
(Hotels and Banquet Halls / Retail)

System Diagram



TASCAM Equipment Installed

Product Outline	Model Name	Remarks
2ch Mic/Line Input/Output Dante Converter with built-in DSP Mixer	MM-2D	
Solid state stereo audio recorder / player	SS-R250N	
SS-R250N dedicated Dante interface card	IF-DA2	
High and low impedance mixing amplifier with microphone input and Bluetooth®	MA-BT240	
Gooseneck condenser microphone	TM-95GN	
DCP control software for system integrators / managers	TASCAM DCP CONNECT	

3-1 Multi-Sound Playback System

Multi-Channel Playback

Cable Reduction

External Control



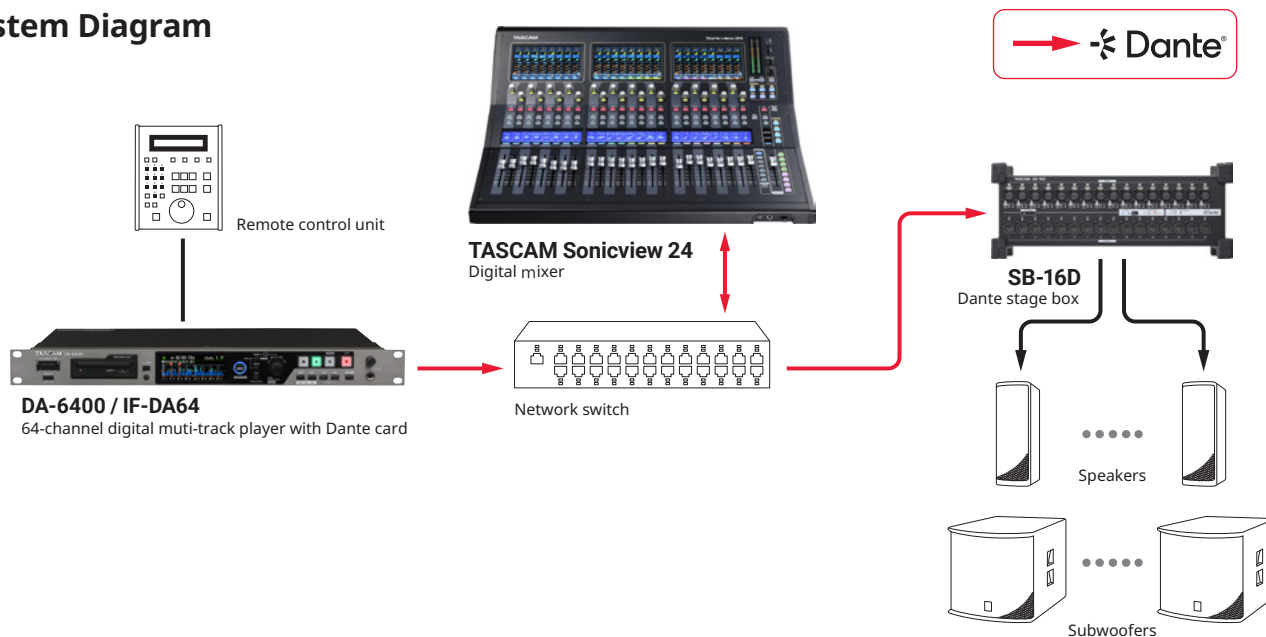
The DA-6400 multi-track recorder allows source playback of up to 64 channels.

With the optional Dante converter card IF-DA64, 64 channels can be transmitted with just one LAN cable.

With the Sonicview 24 the audio channels can be controlled or processed before they are received by the SB-16D or sent to other sources from the Sonicview 24.



System Diagram



TASCAM Equipment Installed

Product Outline	Model Name	Remarks
Digital mixer	TASCAM Sonicview 24	
16in / 16out Dante stage box	SB-16D	
64-channel digital multitrack recorder / player	DA-6400	
Dante interface card	IF-DA64	

3-2 PA Wireless Mic System for Theaters Using Dante

Cable Reduction

Compact System

Long-Distance Transmission



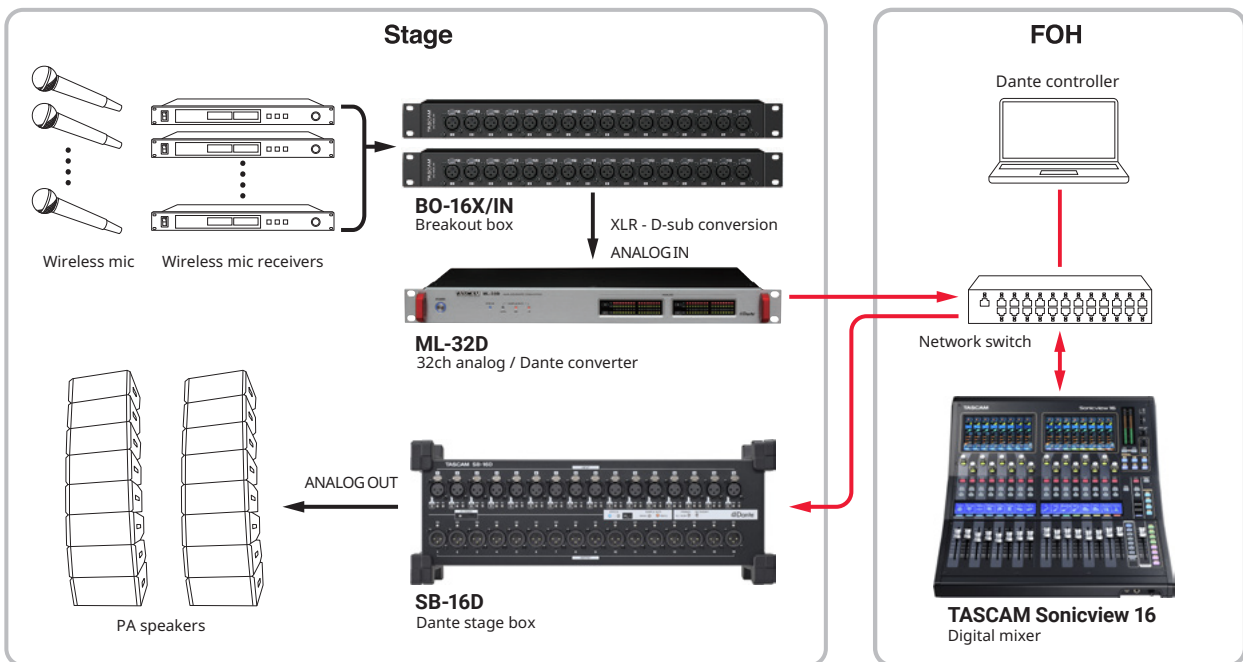
For theater stages and environments where multiple wireless microphones are needed for the performers, connecting all wireless microphone's audio signals into the ML-32D or the ML-16D will enable a simplified and compact system.

The audio output signals coming from the wireless microphone's receivers are converted from analog to Dante with the ML-32D / ML-16D. After assigning signals on a Dante-compatible console, long-distance transmission from stage to FOH can be done with the minimum amount of cables.

Additionally, signal input to ML-32D /ML16-D's analog D-sub input terminal can be done by introducing the XLR to D-sub conversion break-out box BO-16DX/IN.



System Diagram



TASCAM Equipment Installed

Product Outline	Model Name	Remarks
Digital mixer	TASCAM Sonicview 16	
16in / 16out Dante stage box	SB-16D	
32 analog line I/O Dante converter	ML-32D	
16 channel D-sub 25-pin XLR input breakout box	BO-16DX/IN	

3-3 Fixed Installations for Halls

Dante Redundant

Less Wiring

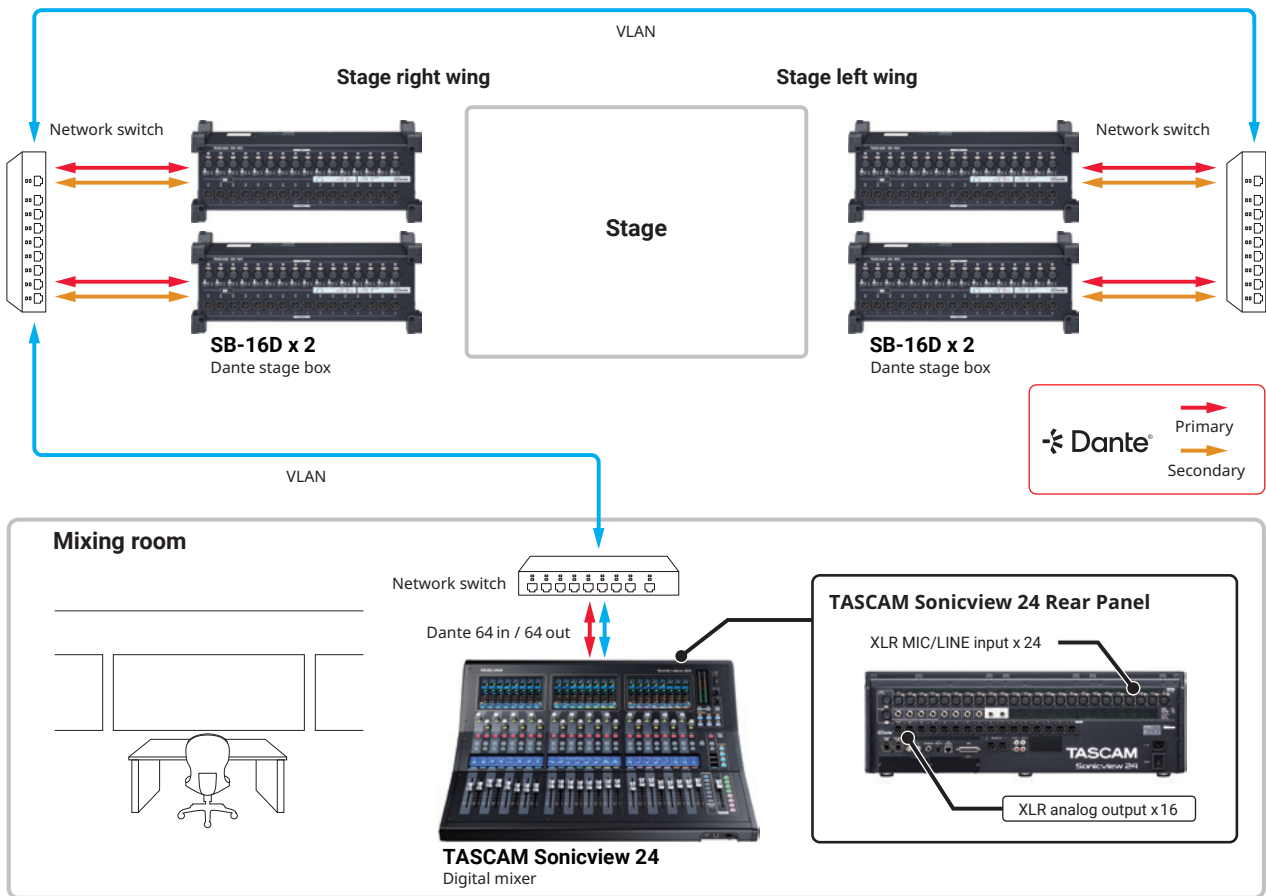
Low Signal Degradation



Implementing the Dante-compatible TASCAM Sonicview 24 and SB-16D will free users from complicated cable systems and hum noises among other issues related to analog connections. These products will also allow for the consolidation of many audio cables into relatively inexpensive LAN cables, reducing cable-related costs.



System Diagram



TASCAM Equipment Installed

Product Outline	Model Name	Remarks
Digital mixer	TASCAM Sonicview 24	
16in / 16out Dante stage box	SB-16D	

3-4 SR System for Music Venues Using Dante

Remote Control

Flexible Routing

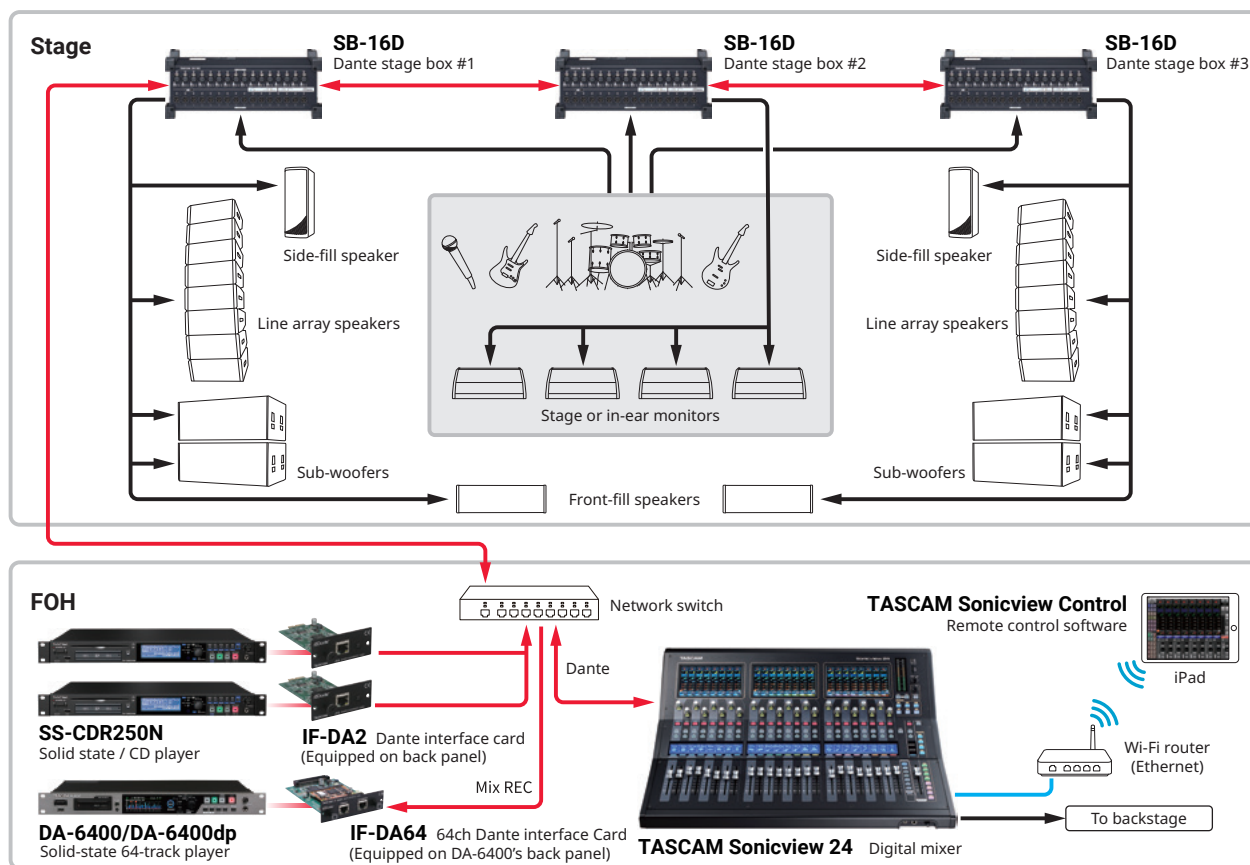
Snapshot Recall



This system employs a TASCAM Sonicview 24 as the main console and multiple SB-16Ds as stage boxes. By connecting the TASCAM Sonicview 24 and SB-16Ds via Dante, 48in/48out connection can be realized with only a few LAN cables. In addition, full control of the SB-16D units, including mic gain control, can be done through the main console.

Implementing Dante provides flexible routing, while band swapping and settings for each event can be instantly switched and recreated with snapshots from the TASCAM Sonicview 24. TASCAM Sonicview 24 rear panel is equipped with a handful of in/out terminals that enable the easy connection of devices for BGM playback and/or recording, as well as monitor output for the backstage area. In addition, the TASCAM Sonicview Control software allows remote control via Wi-Fi for on-stage monitor adjustments.

System Diagram



TASCAM Equipment Installed

Product Outline	Model Name	Remarks
Digital mixer	TASCAM Sonicview 24	
16in / 16out Dante stage box	SB-16D	
64-channel digital multitrack recorder	DA-6400 / DA-6400dp	
Solid state / CD stereo audio recorder / player	SS-CDR250N	
Dante interface card	IF-DA2	
64ch Dante interface card	IF-DA64	
Remote control software for TASCAM Sonicview 24	TASCAM Sonicview Control	

3-5 96kHz Live SR/Recording System Using a FOH and Monitor Console

96kHz Operation

64ch Recording

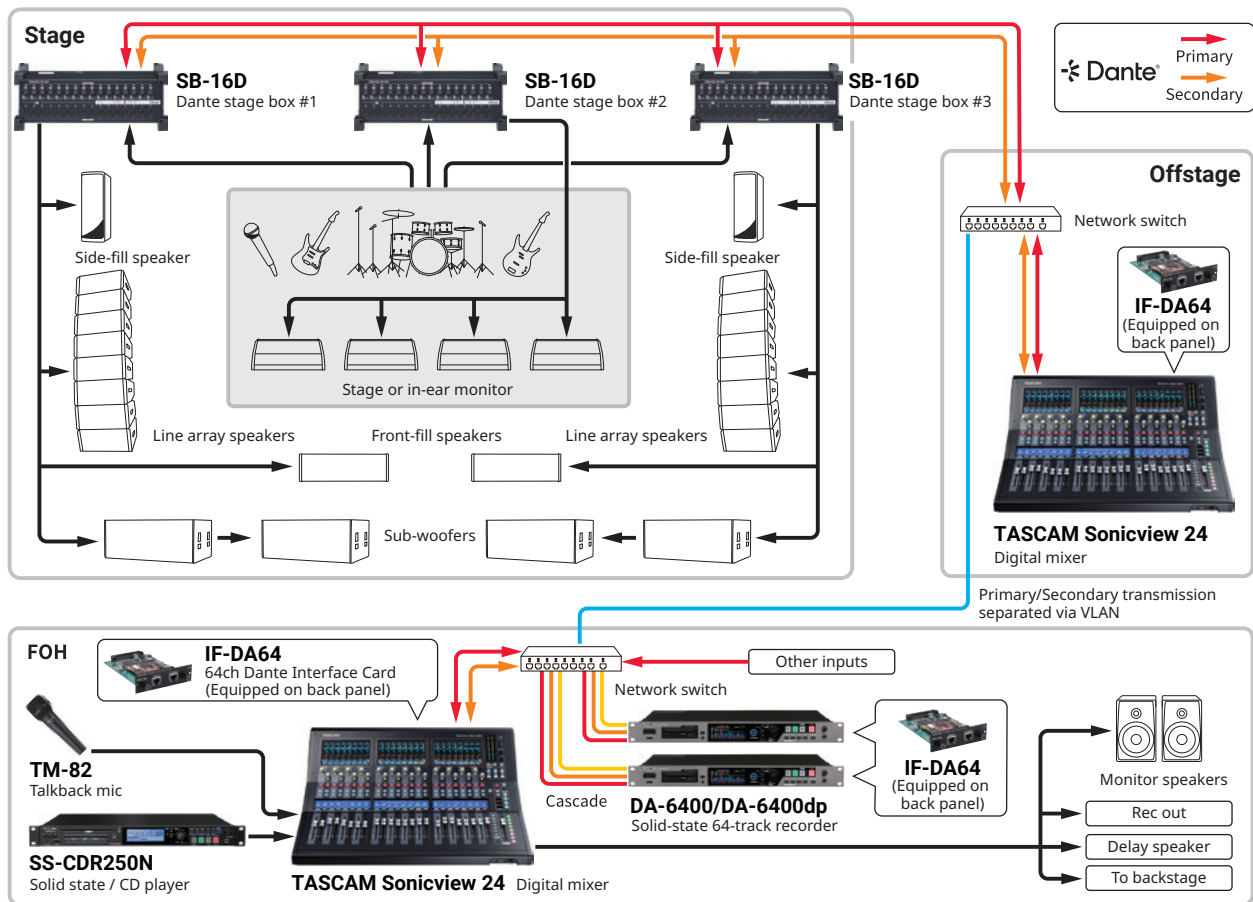
Dante Redundant



Build a full 96kHz live FOH system or monitor console by expanding the TASCAM Sonicview 24 with an IF-DA64 Dante interface card. In addition, connecting multiple SB-16D stage boxes and cascading two DA-6400 units will allow for achieving a 96kHz 64ch multi-channel recording system.

The redundant Dante connection allows for complete redundancy of cables and network switches, creating a highly reliable system with no loss of sound in the unlikely event of a problem.

System Diagram



TASCAM Equipment Installed

Product Outline	Model Name	Remarks
Digital mixer	TASCAM Sonicview 24	
Solid state / CD stereo audio recorder / player	SS-CDR250N	
64-channel digital multitrack recorder	DA-6400 / DA-6400dp	
16in/16out Dante stage box	SB-16D	
64ch Dante interface card	IF-DA64	
Dynamic microphone	TM-82	

3-6 AB-Roll and Multi-Track Playback in Theaters

Theater Play / Playlist Function

Multiple Large Screen Display

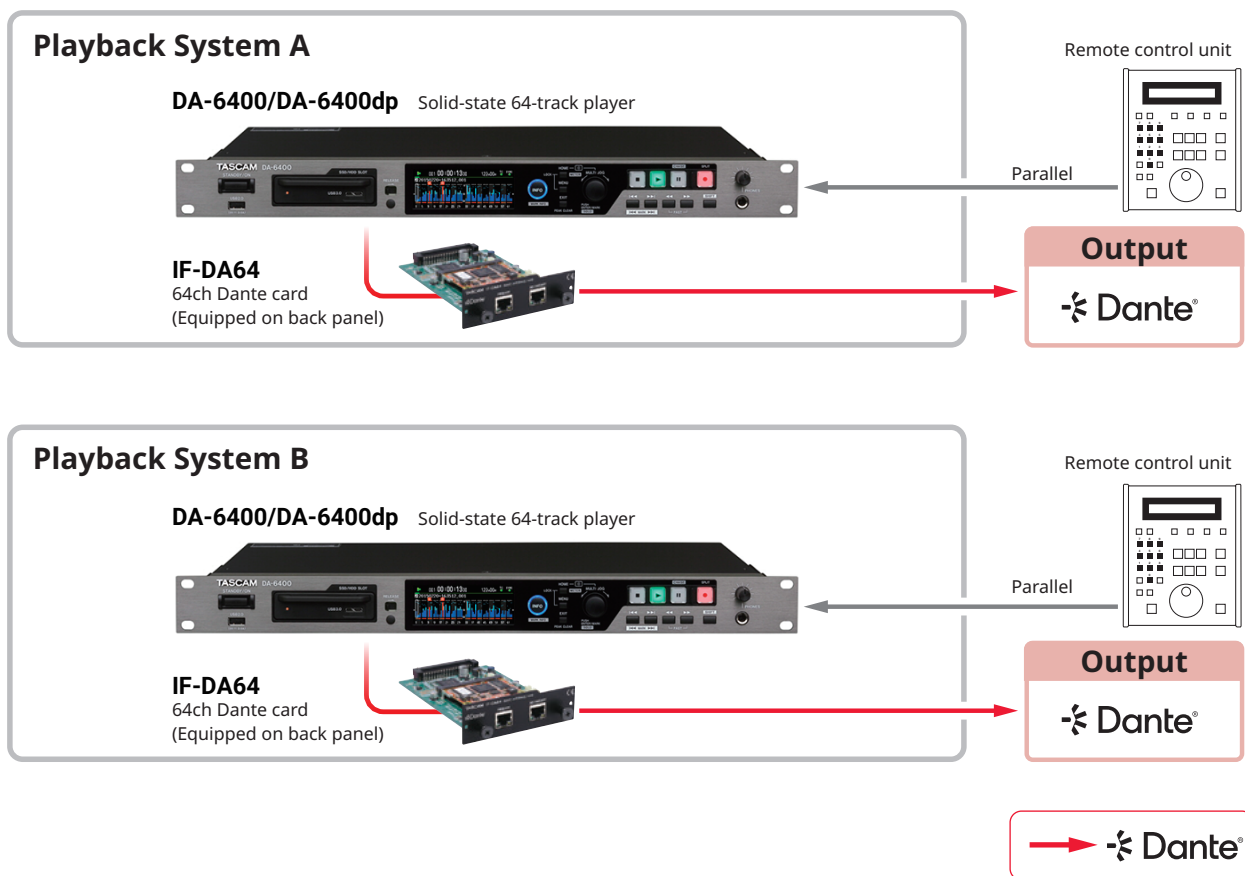
Remote Controllable



This system enables AB-roll multi-track playback, which alternates the playback of each of the content respective to the timing of the scene in theaters and amusement facilities. The DA-6400's theater play function can be used for reliable playback using only the PLAY button operation, and the playlist function can be used to easily change the order of tracks and set the playback start/stop position to any desired position. (This system has been introduced to multiple theaters and facilities in Japan)



System Diagram



TASCAM Equipment Installed

Product Outline	Model Name	Remarks
64-channel digital multitrack recorder / player	DA-6400 / DA-6400dp	
64ch Dante interface card	IF-DA64	

3-7 DAW Live Recording and Backup Recording System

32 bit 32 in / 32 out
USB Audio Interface

Simple Routing

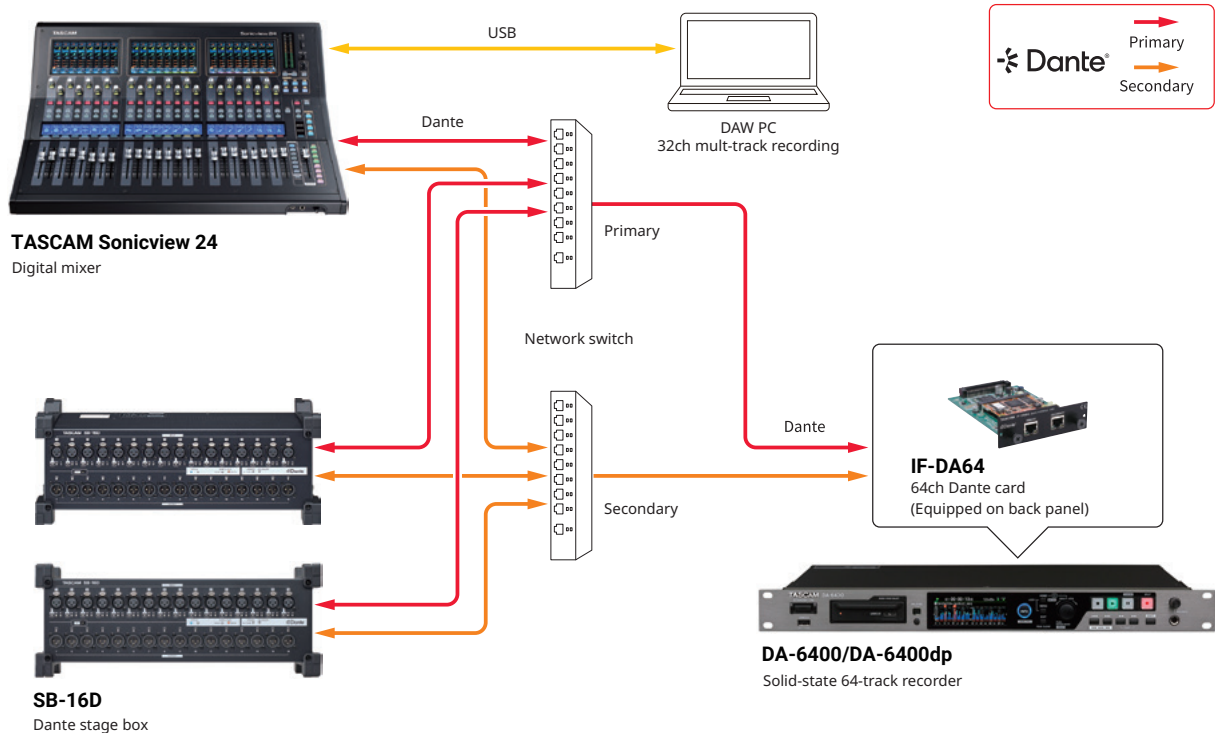
Reliable
Recording



Build a live recording system using a DAW as your main recording system using the TASCAM Sonicview's 32in/32out USB audio interface function. For live systems using MADI or Dante, the DA-6400 can also be used as a backup recorder to ensure high reliability, and, in the case of Dante, it is possible to build an even more reliable system by assembling a redundant one. The DA-6400 provides high stability as a stand-alone unit and while recording on the dedicated TASCAM SSD media, it performs file-close processing approximately every 20 seconds, therefore allowing for reliable backup recording in case of any DAW trouble. Moreover, the DA-6400 records data as BWF mono files which can be easily imported onto the DAW, and the physical unit itself is compact enough to fit in a 1U size rack system.



System Diagram



TASCAM Equipment Installed

Product Outline	Model Name	Remarks
Digital mixer	TASCAM Sonicview 24	
16 in / 16 out Dante stage box	SB-16D	
64-channel digital multitrack recorder	DA-6400/DA-6400dp	
Dante interface card	IF-DA64	

3-8 Video Sync Multi-Playback

Time Code Sync

Less Wiring

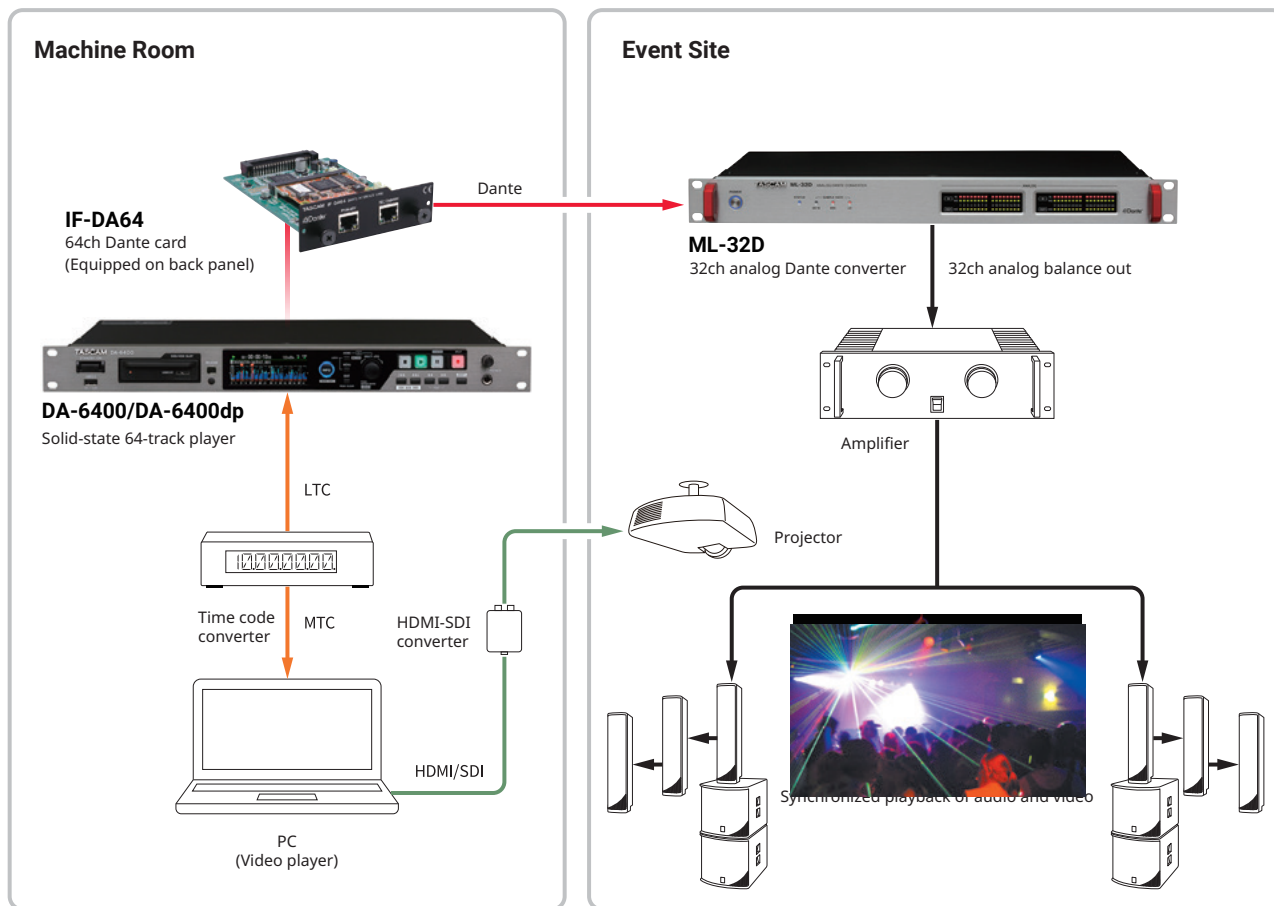
Stable Operation



Build a simple and easy multi-playback system with video synchronization using the DA-6400's time code sync function. Using an IF-DA64 and ML-32D will allow for connecting the machine room to the venue via Dante connection with a single LAN cable, resulting in cost reduction, easy maintenance, and a redundant system for stable operation. This provides a suitable environment for projection mapping, planetariums, or other amusement facilities that wish to perform multi-playback.



System Diagram



TASCAM Equipment Installed

Product Outline	Model Name	Remarks
64-channel digital multitrack recorder / player	DA-6400 / DA-6400dp	
64ch Dante Interface Card	IF-DA64	
32ch Analog Dante Converter	ML-32D	

Case Study

Click on the case study images to view detailed pages.

No.	Case study(Japan)	Model Name	
1	 Model 24 and Model 16 as mixers for "George Yanagi Memorial Live" live stream	Model 16 Model 24	George Yanagi 
2	 Pasti Menang Corporation: Interview regarding DA-6400DP & IF-MA64/EX	DA-6400	Pasti Menang 
3	 Koji Ryu: Live DVD "Koji Ryu Live Tour 2017 feat. Hideyuki Yonekawa"	CG-1800 DA-6400	Koji Ryu 
4	 Kazuyoshi Saito "Singing to the Rain" Acoustic Tour 2017	DA-6400	Kazuyoshi Saito 
5	 Inside the OB van recording system for AKB48 9th Senbatsu election	CG-2000 DA-6400	AKB48 
6	 ML-32D Dante converter installation on the set of "Unfair Moon"	BO-16DX/IN ML-16D BO-16DX/OUT ML-32D BO-32DE	Unfair Moon 
7	 TASCAM VS-R264 encoder/decoder used for the live streaming of New Year Festival Concert 2021	LA-40MKIII Model 12 VS-R264	New Year Fes 
8	 TASCAM Model 24 used at the Inter BEE 2018 opening ceremony and keynote speeches	Model 24	InterBEE 2018 
9	 Live recording with CRYPTON FUTURE MEDIA, INC	DA-6400 TASCAM DA-6400 CONTROL	Crypton 
10	 TASCAM DA-6400 multi-track recorder at Chicken George in Kobe, Japan	DA-6400 TASCAM DA-6400 CONTROL	CHIKEN GEORGE 
11	 Multitrack recordings for the live DVD of NANIWA EXP	US-16x08 X-48MKII	NANIWA EXP 
12	 Sunphonix Corporation Live PA system	CG-1000 CG-1800 CG-2000	Sunphonix 

Case Study

Click on the case study images to view detailed pages.

No.	Case study(Global)	Model Name	
14	 The Lume Melbourne Van Gogh Experience: Introducing Dante models in immersive digital art gallery	ML-32 ML-4D MM-2D	Van Gogh 
15	 TASCAM Captures Audio for Monterey Pop's 50th Anniversary	DA-6400	Monterey Pop Festival 
16	 Kooster McAllister Captures Farm Aid with TASCAM	DA-6400	Kooster McAllister 
17	 TASCAM Plays an Integral Role in Third Eye Blind Production	DR-10L DR-40X Model 24	Third Eye Blind 
18	 TASCAM Announces the TASCAM & Tommy Bolan Recording and Guitar Gear Giveaway Contest	Model 12	Tommy Bolan 
19	 The Online Magazine for Creative Musicians, Content Creators & Recording Engineers V2/Issue 2	Model 12	Online Magazine 
20	 TASCAM's DA-6400 Captures Grand Performances in Downtown L.A.	DA-6400	Grand Performances 
21	 CLAIR GLOBAL TOURS THE WORLD WITH TASCAM	DA-6400 SS-CDR250N	CLAIR GLOBAL TOURS 
22	 TASCAM's Model 24 Brings Versatility to Matt Molchany's Engineering Efforts	Model 24	Matt Molchany 
23	 TASCAM's Sonicview 24XP Helps Steve Remote Thrive at the 2023 Newport Jazz Festival	DA-6400 IF-MA64/EX TASCAM Sonicview 24	Newport Jazz Festival 
24	 TASCAM's SS-CDR250N Brings Clarity to the Minnesota Zoo	SS-CDR250N	Minnesota Zoo 
25	 TASCAM's Portacapture X8 Brings Greater Accuracy to Live Recordings	Portacapture X8	Scott and Warren 
26	 TASCAM's Model 16 and Portacapture X8 are Central to Eoghan Johnston's Recording Efforts	Model 16 Portacapture X8	Eoghan Johnston 

4-1 Inter-Room Talkback System Between the Master Room and Studio

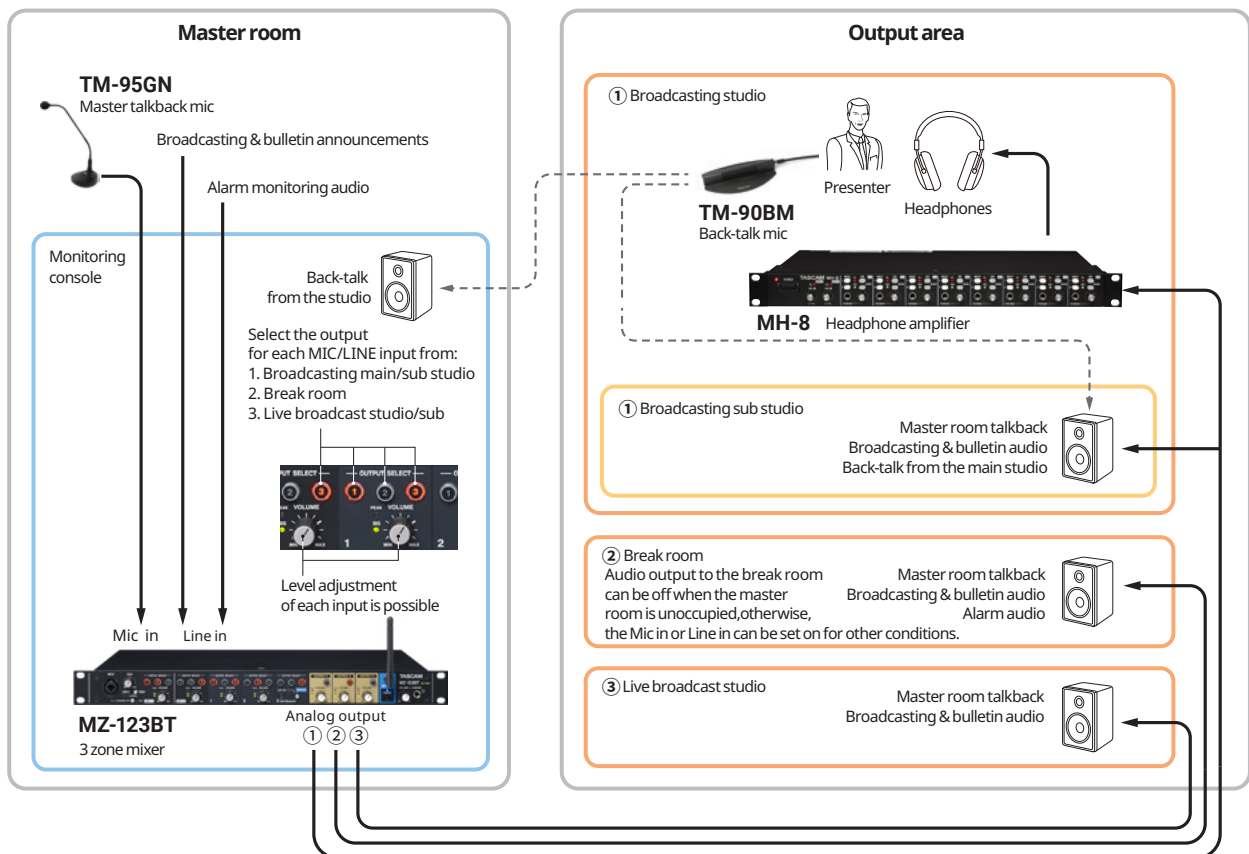
Low Cost

Easy Control

Space-Saving

Using the MZ-123BT in the master room enables talkback/paging, as well as audio announcements and alarms from the monitoring server to the broadcasting main/sub studio, break rooms, etc. Output destinations can be set individually; and if the master room is unoccupied, all outputs to the break room can be performed with a simple switch operation.

System Diagram



TASCAM Equipment Installed

Product Outline	Model Name	Remarks
Commercial-grade multi-zone audio mixer	MZ-123BT	
8-channel headphone amplifier	MH-8	
Gooseneck condenser microphone	TM-95GN	
Boundary condenser microphone	TM-90BM	

4-2 Audio System for Radio Studios

Extensive Inputs/
Outputs

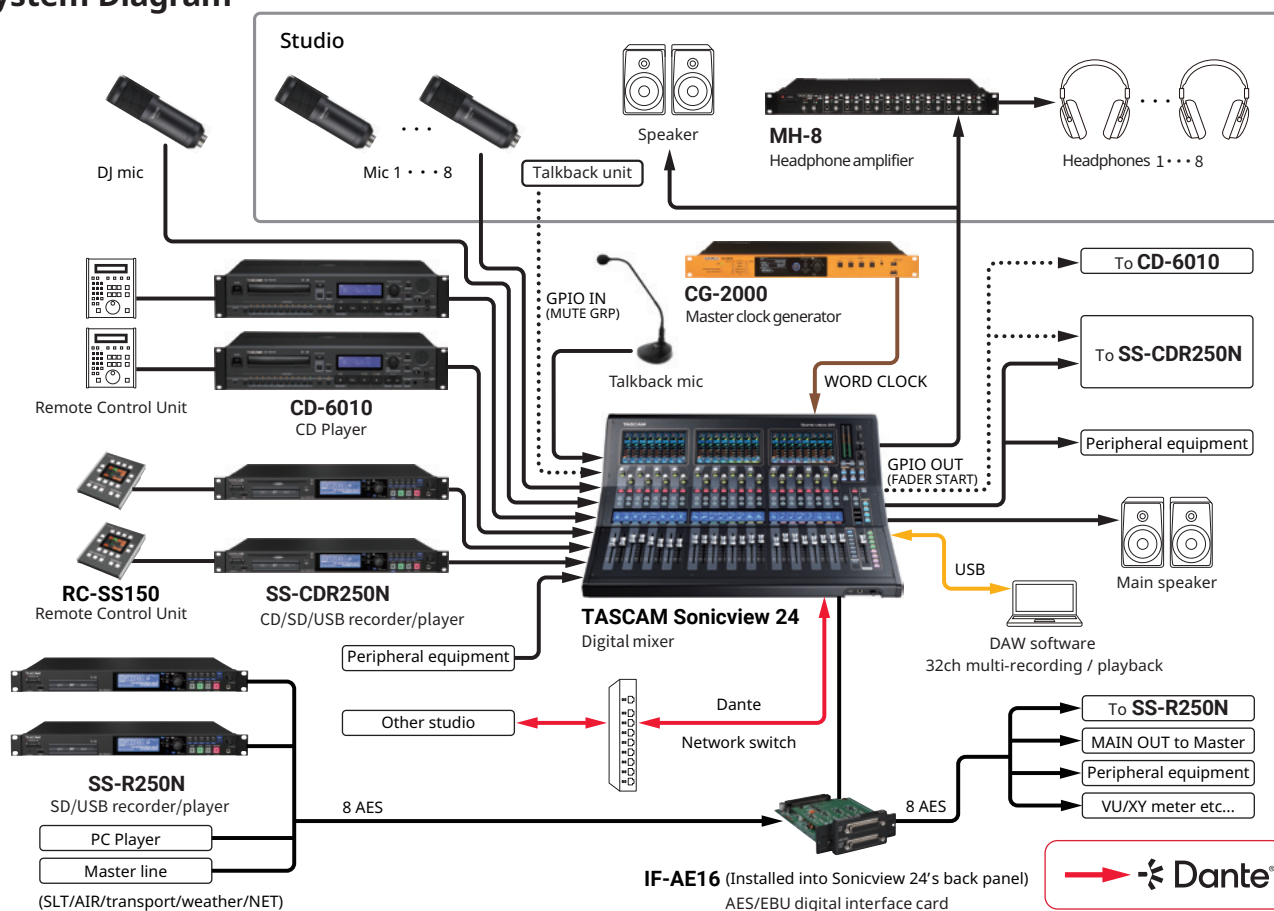
High-Quality
Audio

GPIO



The TASCAM Sonicview 24 is the optimal console for radio studios with its extensive number of input/output terminals. The unit has 24 mic/line inputs and 16 line outputs; equipping two of the optional IF-AE16 interface cards to the TASCAM slots will allow for an additional AES/EBU in/out of 16in/16out (8 AES I/O). The TASCAM Sonicview 24 comes equipped with a 32in/32out USB audio interface function, enabling easy DAW connection and it also supports 8 in/8 out GPIOs for external control of fader start, talkback etc. Moreover, the 64-in/64-out Dante interface allows for flexible and simple connections to other studios and master rooms.

System Diagram



TASCAM Equipment Installed

Product Outline	Model Name	Remarks
Digital mixer	TASCAM Sonicview 24	
AES/EBU digital interface card	IF-AE16	
Master clock generator	CG-2000	
High-Performance CD Player for Broadcast	CD-6010	CD-RW900SX can be substituted
Solid state / CD stereo audio recorder / player	SS-CDR250N	
Remote control unit for SS-R250N/SS-CDR250N	RC-SS150	
Solid state recorder	SS-R250N	
8-ch headphone amplifier	MH-8	
Dynamic microphone	TM-70	
Gooseneck condenser microphone	TM-95GN	

4-3 Audio System for Small-Mid TV Studios

Extensive Inputs/
Outputs

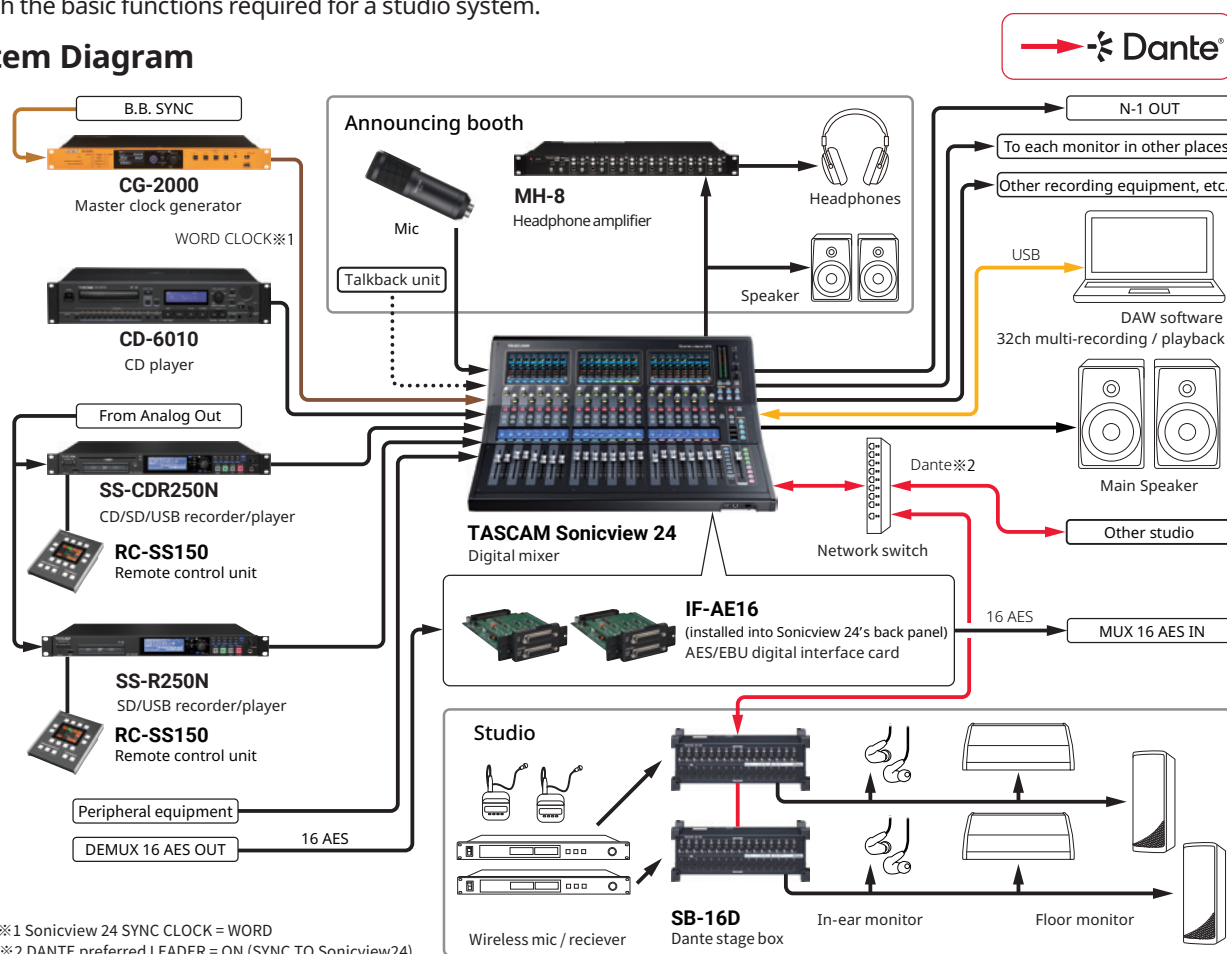
High-quality
Audio

Word-Sync

Dante®

The TASCAM Sonicview 24 is suitable as the main console for small to medium-sized television studio sound systems. The unit has 24 mic/line inputs and 16 line outputs; equipping two of the optional IF-AE16 interface cards to the TASCAM slots will allow for an additional AES/EBU in/out of 32in/32out (16 AES I/O). Using the equipped 64in/64out Dante interface and installing the SB-16D stage box at various locations does not only simplify the connections between studio and sub, master room, and other studios but also allows for a flexible system. In addition, the 32in/32out USB audio interface function allows recording and playback to/from DAWs, and the 8in/8out GPIO external control port supports cuff control. 22 flexible buses allow flexible construction of N-1 send-back audio output and talkback interruptions to destinations. Audio Reference signals can also be easily sent out via a dedicated screen. The TASCAM Sonicview 24 comes standard with the basic functions required for a studio system.

System Diagram



TASCAM Equipment Installed

Product Outline	Model Name	Remarks
Digital mixer	TASCAM Sonicview 24	
AES/EBU digital interface card	IF-AE16	
16in/16out Dante stage box	SB-16D	
Master clock generator	CG-2000	
High-Performance CD Player Broadcast	CD-6010	
Solid state / CD stereo audio recorder / player	SS-CDR250N	
Remote control unit for SS-R250N/SS-CDR250N	RC-SS150	
Solid state recorder	SS-R250N	
8-ch headphone amplifier	MH-8	
Dynamic microphone	TM-70	

4-4 TV Relay System

Analog/Dante Conversion

Simplified Wiring

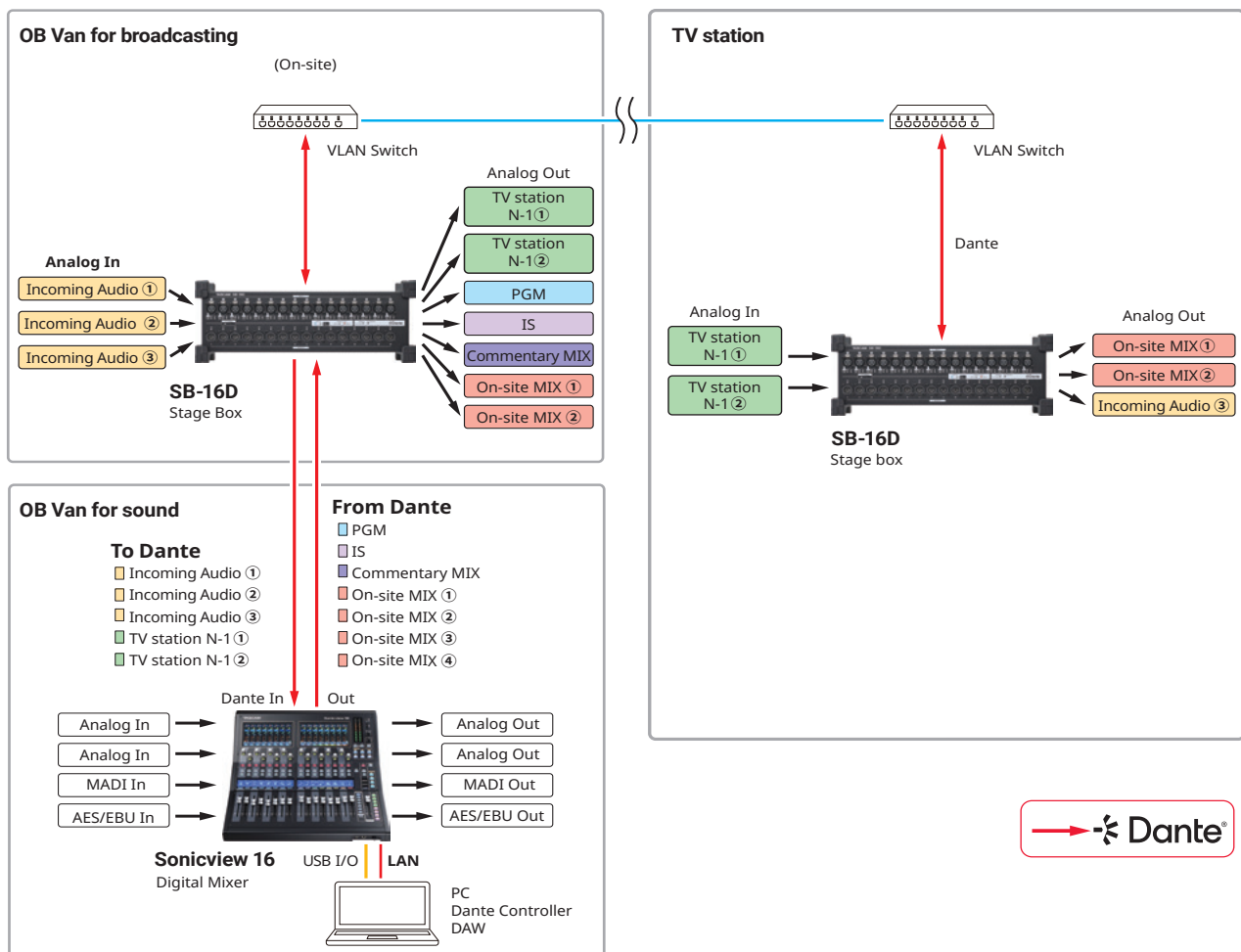
Extensive I/O



The SB-16D stage box can be used as an analog-to-Dante converter to greatly simplify wiring at TV relay sites. The SB-16D, which connects 16 channels of analog inputs and outputs via XLR connectors, is a compact 3U unit that can be installed anywhere.

Installing a TASCAM Sonicview digital mixer in an audio OB van enables audio mixing with matrix mix capability, and with optional Sonicview IF-series expansion cards (sold separately), analog, MADi, AES/EBU, and additional Dante conversion is possible. Moreover, connecting a PC to the USB port on Sonicview's rear panel allows for 32 channels of input/output ready to be used for multi-recording and distribution using a DAW.

System Diagram



TASCAM Equipment Installed

Product Outline	Model Name	Remarks
Digital Mixer	TASCAM Sonicview 16	
Stage Box	SB-16D	

4-5 High Compatibility with Next-Generation Broadcast Studio Systems Built on SMPTE ST 2110

Low Cost

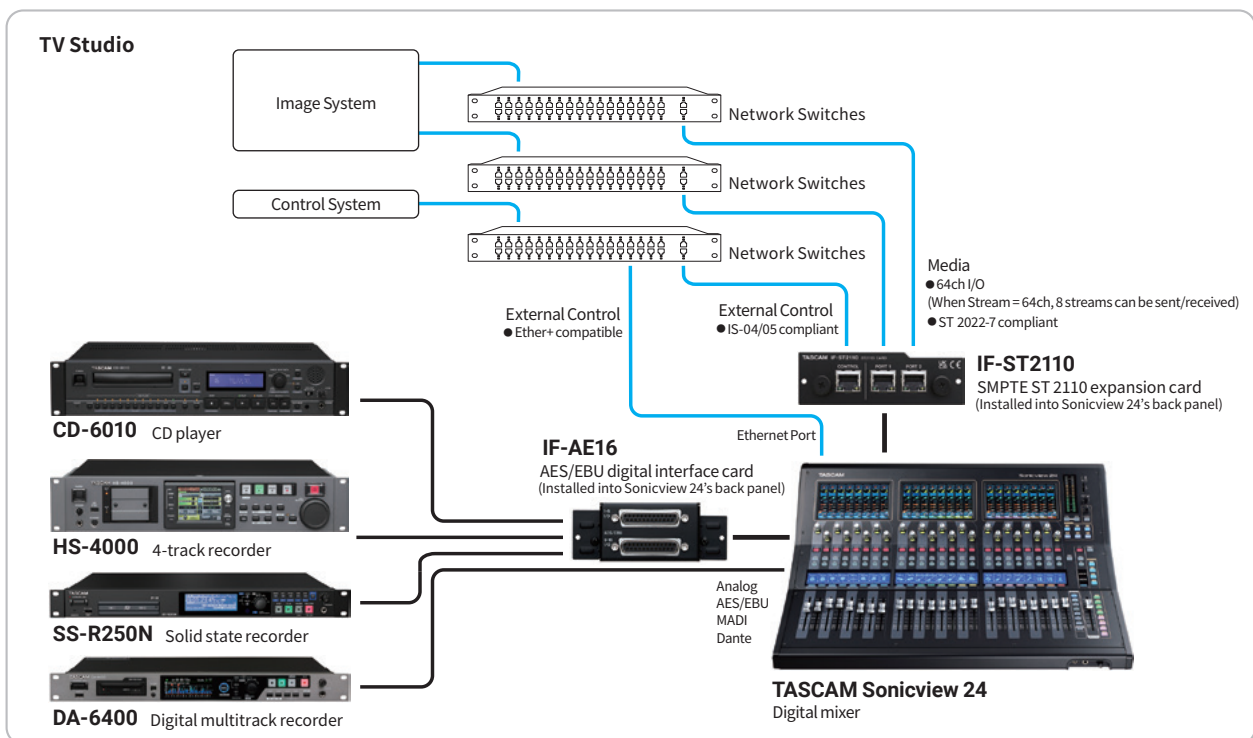
Improved Workflow

Reduced Equipment

By installing the IF-ST2110 to a TASCAM Sonicview 16/24, the IF-ST2110 can be used in a broadcast studio system built with SMPTE ST 2110. The IF-ST2110 is a flexible audio protocol that can be used for various specifications in a broadcast studio system built with SMPTE ST 2110. The IF-ST2110 can send and receive 64 channels (8 streams when stream = 8 channels) of input and output material. It has an independent control port and supports external control via NMOS IS-04/05.

The TASCAM Sonicview main unit also supports external control via the Ember+ protocol via its Ethernet port. In addition to the already established functions to meet the needs of various broadcast sites, TASCAM Sonicview has the flexibility and expandability to connect to legacy formats such as Analog, AES/EBU, MADi, Dante, etc., making it the core of the audio section of the ST 2110's next-generation broadcast studio system.

System Diagram



TASCAM Equipment Installed

Product Outline	Model Name	Remarks
Digital mixer	TASCAM Sonicview 24	
SMPTE ST 2110 expansion card	IF-ST2110	
16-In/16-Out AES/EBU expansion card	IF-AE16	
High-performance CD player for the broadcast	CD-6010	
4-track broadcast recorder	HS-4000	
2-channel SD/USB recorder/player with network	SS-R250N	
64-channel digital multitrack recorder/player	DA-6400	

4-6 Television Broadcasting System Using AFV Function

Reduced Mixing Operations

Various Uses

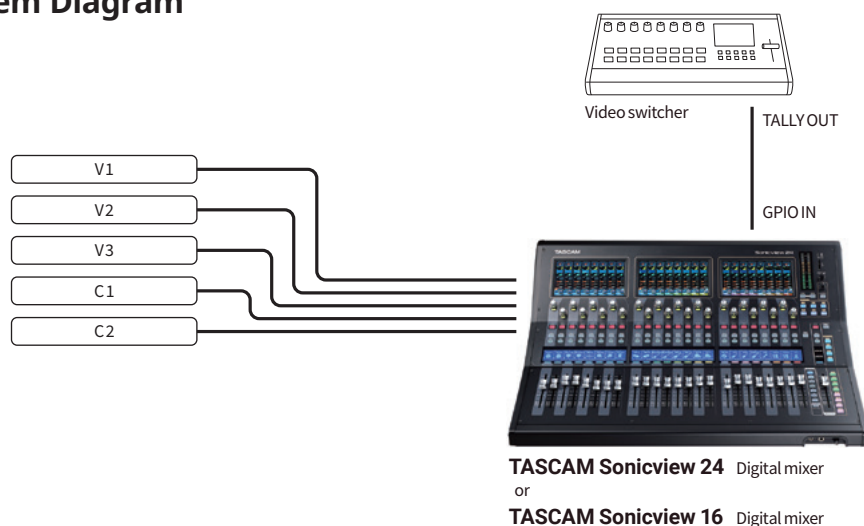
Low Cost

The AFV (Audio Follow Video) function in the TASCAM Sonicview 16 /24 allows the corresponding audio faders to operate in conjunction with the video material tally from the video switcher.

Fade-in and fade-out levels and times can be set, as well as enabled and disabled for each fader.

This system enables simple sound and video linkage operation in broadcast studio systems as well as in various live broadcast sites such as sporting events.

System Diagram



AFV screen

TASCAM Equipment Installed

Product Outline	Model Name	Remarks
Digital mixer	TASCAM Sonicview 24	
Digital mixer	TASCAM Sonicview 16	

4-7 Video Content Audition in Post-Production Studios

4K Blu-ray/DVD Playback

7.1ch Analog Output

Multimedia Support

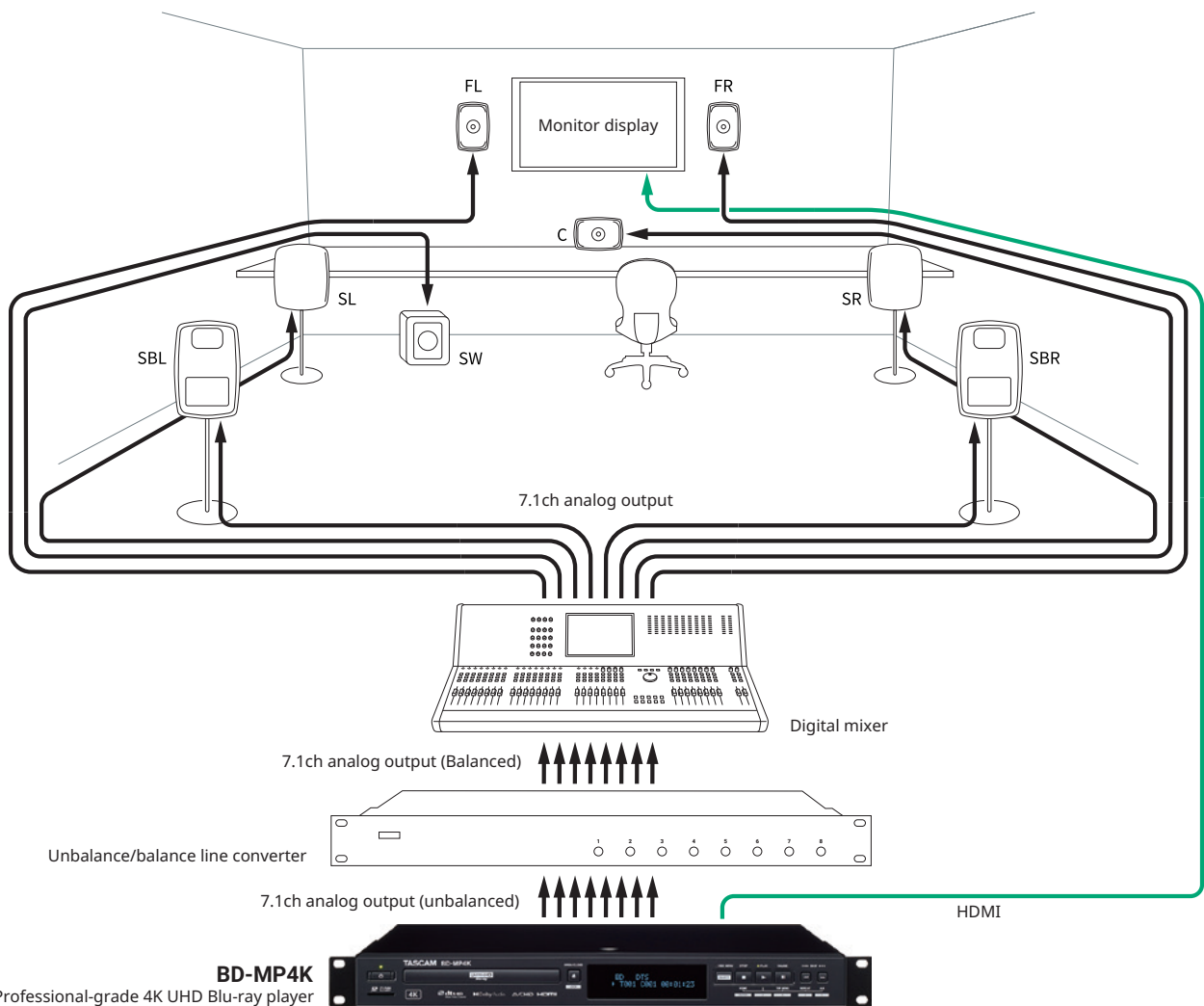
The BD-MP4K with 7.1ch analog output can be used for the sound-check of video material brought into the studio and final audio confirmation of fully packaged material.

<BD-MP4K supported media and formats>

- **Blu-ray** : BD25, BD50, BD-ROM, BD-R, BD-RE
- **DVD** : DVD-ROM, DVD-R, DVD-RW, DVD+R, DVD+RW
- **CD** : CD-DA, CD-R



System Diagram



TASCAM Equipment Installed

Product Outline	Model Name	Remarks
Professional-grade 4K UHD Blu-ray™ player	BD-MP4K	

Case Study

Click on the case study images to view detailed pages.

No.	Case study(Japan)	Model Name	
1	 Dante-compatible ML-32D contributes to the construction of a new compact office studio	ML-32D	HAC STUDIO 
2	 YURIKA's "Dead Heat - RED vs BLUE" solo live stream recording report	CG-1800 CG-2000 DA-6400	YURIKA 
No.	Case study(Global)	Model Name	
3	 KBS introduces the TASCAM DA-6400 as the main recorder in three broadcasting facilities	DA-6400 IF-MA64/EX TASCAM SSD	KBS 
4	 Jim Stern Gets an Earful with DA-3000	DA-3000	Jim Stern 
5	 TASCAM Recording Gear Helps Define the Career of Kenny 'Tick' Salcido	Model 24	Kenny 'Tick' Salcido 
6	 TASCAM Brings Great Sound and Signal Distribution Efficiency to David Crowder's Studio	ML-16D ML-32D SERIES 8p Dyna	David Crowder 
7	 TASCAM Announces the TASCAM & Tommy Bolan Recording and Guitar Gear Giveaway Contest	Model 12 TM-80	Tommy Bolan 
8	 Reggae and Dub Producer Ras Sparrow's Production Centers Around the TASCAM Model 12	Model 12	Ras Sparrow 
9	 The TASCAM Mixcast 4 Podcast Station is Central to Producer/Presenter Cristina Gomez' Podcast Work	Mixcast 4 TASCAM Podcast Editor	Cristina Gomez 
10	 TASCAM Keeps the Music Flowing for Drummer / Percussionist Fredo Ortiz	Model 12 SERIES 208i SERIES 8p Dyna	Fredo Ortiz 
11	 The TASCAM Mixcast 4 Podcast Station is Central to Production of Podfest Podcasts	Mixcast 4 TM-70	Podfest 
12	 TASCAM Studio Technology Drives Lee Turner's Creative Process	CG-1000 SERIES 102i SERIES 8p Dyna TM-70	Lee Turner 
13	 Producer/Recording Engineer Tom Tierney Unifies Production with the TASCAM Model 24	Model 24	Tom Tierney Unifies 
14	 TASCAM Technology at the Heart of Johnny "Juice" Rosado's Recording Activities	Model 12 TA-1VP	Johnny "Juice" Rosado 

5-1 Simple Streaming System for Concerts & Events

Easy Setup

Multi-Channel Backup Recording

High Quality Audio Capture

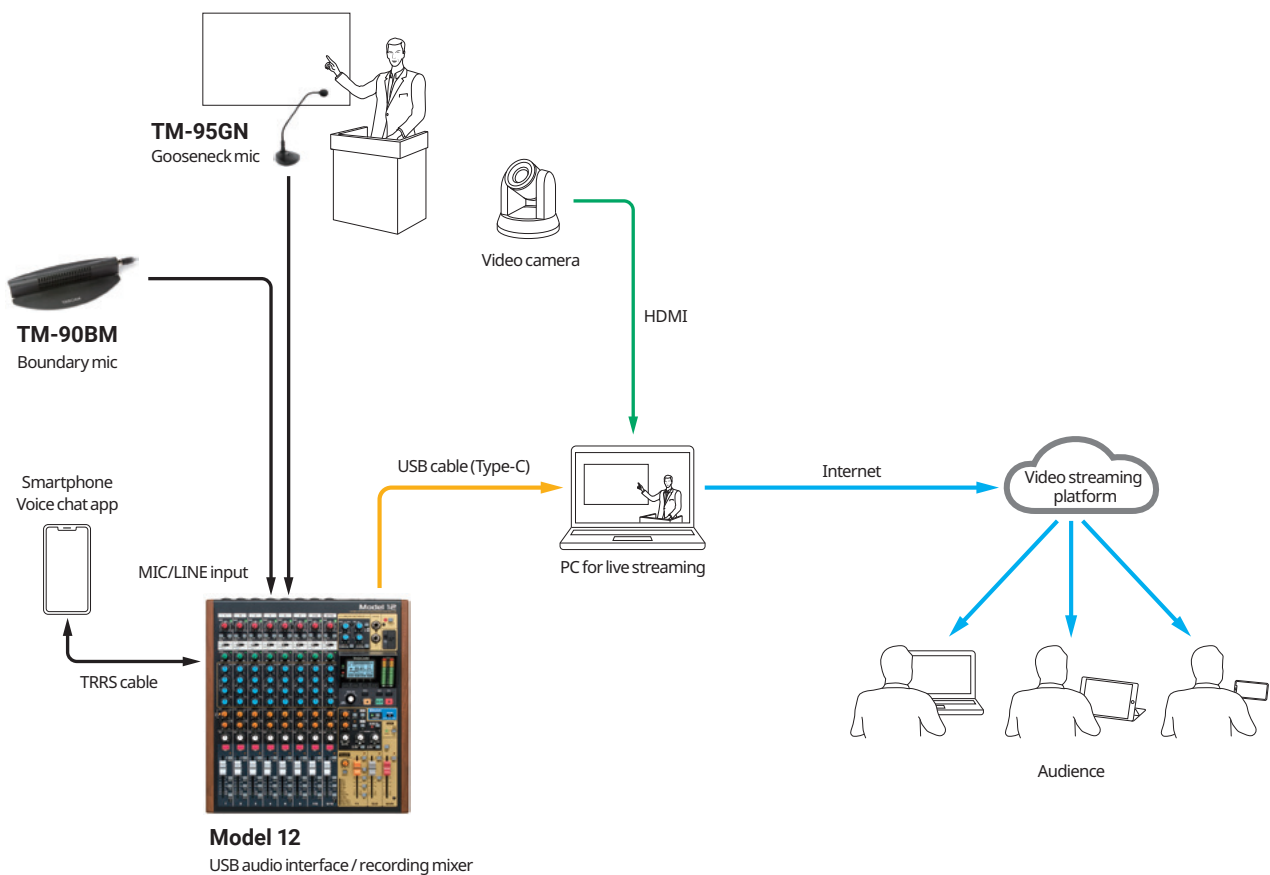
Live streaming system that combines the TASCAM Model 12 with distribution software such as OBS.

Using the Model 12's mixer/audio interface function, live streaming audio can be distributed all at

once, while multi-track recording is simultaneously supported. In addition, the mix-minus function allows easy recording of guests joining via phone calls.



System Diagram



TASCAM Equipment Installed

Product Outline	Model Name	Remarks
Integrated Production Suite	Model 12	
Gooseneck condenser microphone	TM-95GN	
Boundary condenser microphone	TM-90BM	

5-2 Event Distribution at Schools, etc. Using Smartphones

Distribution via iPhone

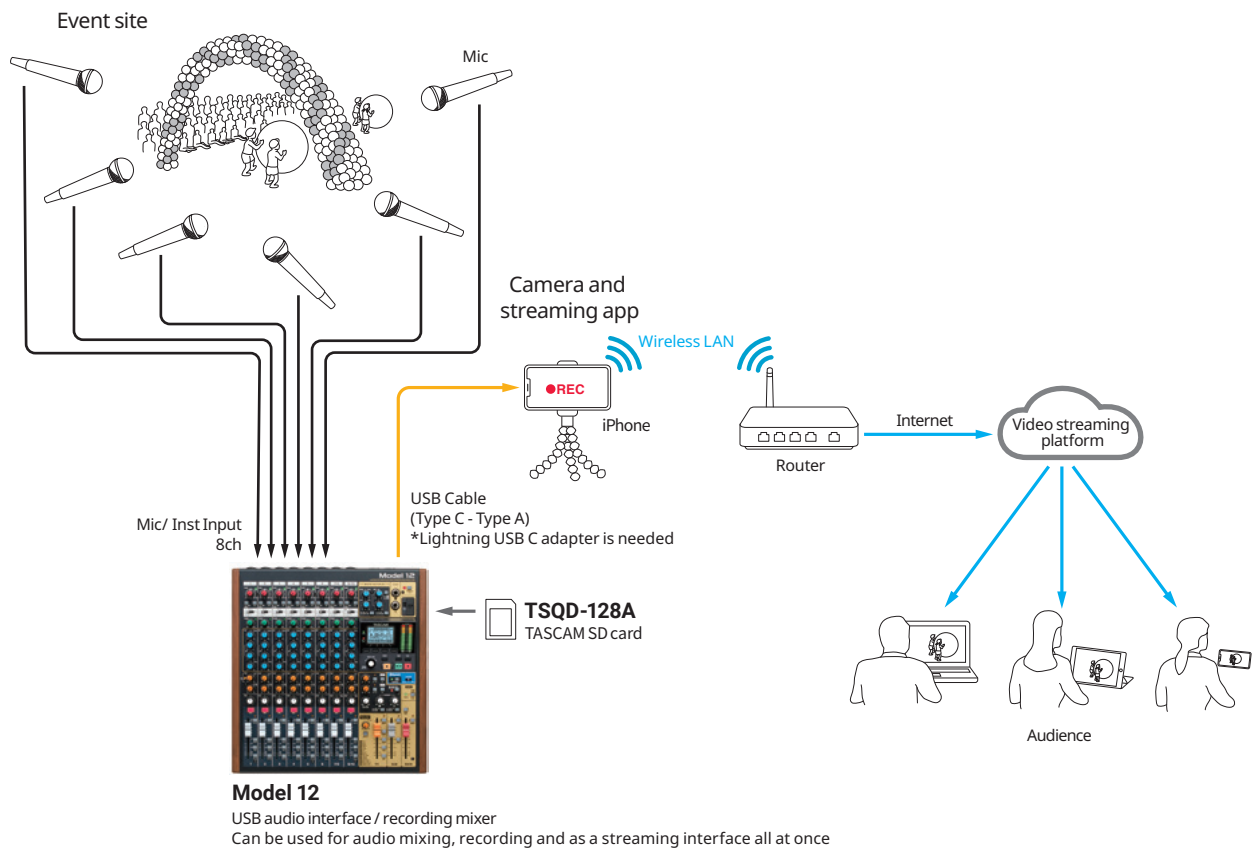
Simple Wiring

Multi-Track Recording

This distribution system combines the CoreAudio-compatible Model 12 with an iOS/iPadOS device. While high-quality live streaming via YouTube Live, Nico Nico Live, Showroom, Instagram Live, Pococha, 17LIVE, and other iOS-only compatible applications can be easily integrated with the Model series, simultaneous multi-track recording is also possible.



System Diagram



TASCAM Equipment Installed

Product Outline	Model Name	Remarks
Integrated Production Suite	Model 12	
TASCAM SD Card	TSQD-128A	

5-3 VTuber Live Game and e-Sports Distribution Events

Long-Distance Video Streaming

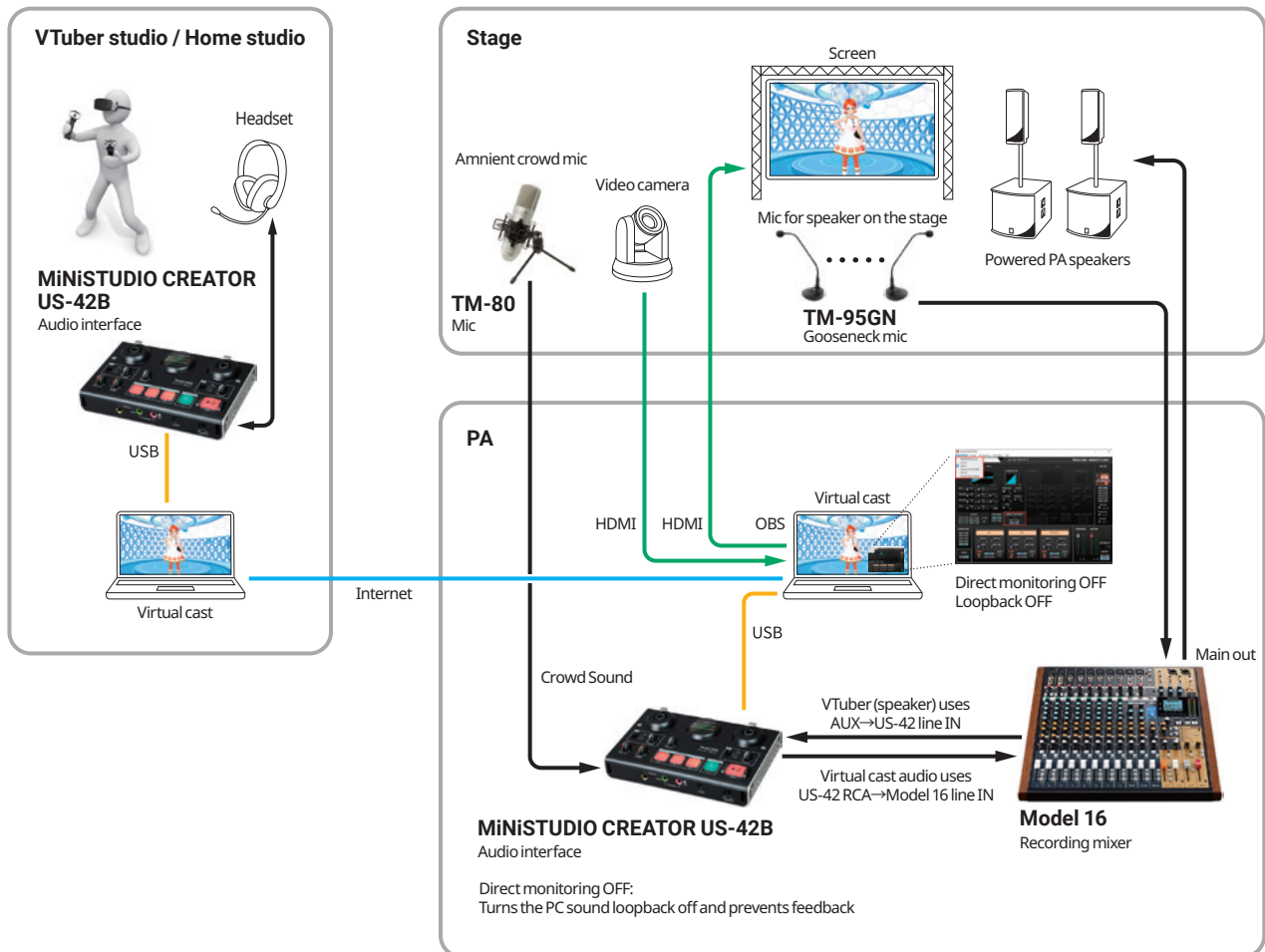
Multicast Distribution

Multi-Track Recording

This setup consists of the Model 16 and MiNiSTUDIO CREATOR US-42B to build an audio system for VTubers, gamers, etc. in which remote and IRL performers engage in the same space. By turning off the direct monitor function of the MiNiSTUDIO CREATOR US-42, the volume can be adjusted individually without looping each other's audio. Also, by setting up a separate microphone to record the audience at the main venue allows for capturing the ambiance of the performers at the remote location.



System Diagram



TASCAM Equipment Installed

Product Outline	Model Name	Remarks
Audio interface	US-42B	
Recording mixer	Model 16	
Gooseneck condenser microphone	TM-95GN	
Condencer microphone	TM-80	

5-4 Live Music Streaming/Archiving

High Quality Audio

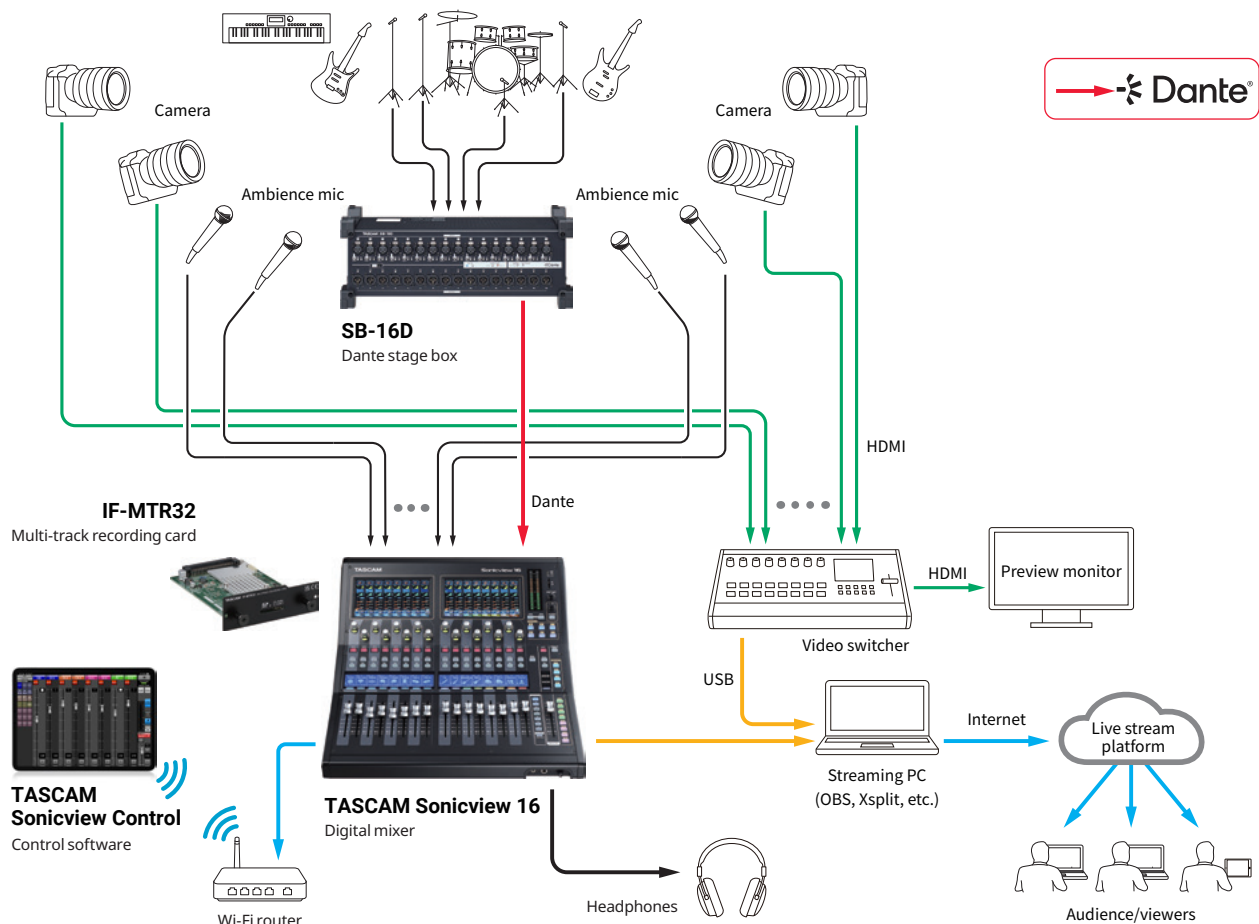
Delay Function

USB Audio Interface



Equipped with a Class 1 HDIA mic preamp, 32-bit ADC, and 54-bit float FPGA mixing engine, the TASCAM Sonicview can be used as a mixer for live music streaming. All master modules have a delay function that can be set up to 341ms, making it easy to sync video and audio. In addition, 2mix audio can be sent directly to a PC via the unit's USB audio interface to sync video without loss of sound quality. The SB-16D Dante stage box (16-in/16-out) allows for easy expansion of inputs, and the 32-channel multi-track recording card IF-MTR32 can be installed in the expansion slot to enable multi-track recording and live streaming. This can useful for archival distribution, BD/DVD sales, and other content reuse.

System Diagram












TASCAM Equipment Installed

Product Outline	Model Name	Remarks
Digital mixer	TASCAM Sonicview 16	
Dante stage box	SB-16D	
32ch multi-track recording card	IF-MTR32	
Control software	TASCAM Sonicview Control	

Case Study

Click on the case study images to view detailed pages.

No.	Case study(Global)	Model number	
7	 TASCAM MiNiSTUDIO Delivers Broadcast Sound for Gaming on Tap Podcast	MiNiSTUDIO CREATOR US-42	Gaming on Tap 
8	 MiNiSTUDIO US-42 Key for Colon Cancer Podcast	MiNiSTUDIO CREATOR US-42	Colon Cancer Podcast 
9	 All Things Post Podcasts with MiNiSTUDIO Creator	MiNiSTUDIO CREATOR US-42	All Things Post 
10	 Podcasters rAve About MiNiSTUDIO at InfoComm	MiNiSTUDIO CREATOR US-42	InfoComm 2016 
11	 The TASCAM VS-R265 4K/UHD Streamer/Recorder Helps Del Castillo Livestream Globally	VS-R265	Del Castillo 
12	 The TASCAM Model 12 is Central to Michael Sandoval's Audio/Livestreaming & Video Production	Model 12	Michael Sandoval 
13	 TASCAM's Mixcast 4 Podcast Station Makes An Important Impact in Education	Mixcast 4	Impact in Education 
14	 TASCAM is at the Heart of Nicki Sun's Creative Efforts	Mixcast 4 TM-70	Nicki Sun 
15	 TASCAM's Mixcast 4 Podcast Station is Central to Production of The Dark Side of the Cooks	Mixcast 4 TM-70	Dark Side of the Cooks 
16	 TASCAM's Mixcast 4 Podcast Station Helps Howard Olsen Educate and Inspire	Mixcast 4	Howard Olsen 

MEMO

.....

.....

.....

.....

.....

.....

.....

.....

.....

.....

Main product information

- Click the Model Name to see the specifications on our website.
- Some products may not be available depending on your country, region, distributor, etc.

Rack mountable products

Model Name	Unit	Depth (mm)	Weight (kg)	Power Consumption (W)
BD-MP1MKII	1U	280.7	2.64	30
BD-MP4K	1U	280.7	2.78	30
BO-16DX/IN	1U	54.5	0.9	-
CD-200	2U	298	4.2	7
CD-400U	1U	300.5	3.2	20
CD-6010	2U	303	4.9	12.5
CG-2000	1U	299	3.3	14
DA-6400	1U	304.8	3.9	21
DA-6400dp	1U	304.8	4.0	21
MA-BT240	1U Half rack	298	2.45	58 *1
MH-8	1U	280	3.8	36
ML-16D	1U	303.8	3.3	14
ML-32D	1U	303.8	3.5	22
ML-4D/OUT-X	1U Half rack	136.1	0.863	4
MM-2D-E	1U Half rack	136.1	0.878	6
MM-2D-X	1U Half rack	136.1	0.878	6
MM-4D/IN-X	1U Half rack	136.1	0.885	7.5
MX-8A	1U	304.1	3.0	21
MZ-123BT	1U	274.8	3.0	25
MZ-223	2U	93.2	2.5	35
SB-16D	3U	120 *2	4.5	44
SS-CDR250N	1U	300.5	3.2	22
SS-R250N	1U	300.5	2.9	20
202MKVII	3U	285.8	5.4	14

*1 18W when idle

*2 Rack-mounted size. Depth size is 140mm with standard foot.

Model series

Model Name	Size W×H×D (mm)	Weight (kg)	Power Consumption (W)
Model 12	343 × 98.8 × 360	4.3	16
Model 16	430 × 112.9 × 463	7	40
Model 24	577 × 106 × 529	10.4	52

Sonicview series

Model Name	Size W×H×D (mm)	Weight (kg)	Power Consumption (W)
Sonicview 16	472.0 × 228.1 × 554.4	13	65
Sonicview 24	690.8 × 228.1 × 554.4	18	85

Index

A

AK-RS1 6, 12, 13, 18

B

BD-MP1MKII 4, 5, 7, 9, 11

BD-MP4K 38

BO-16XD/IN 23

C

CD-200BT 11, 15

CD-400U 5, 7, 9, 14, 15, 16, 17, 18, 19, 20

CD-6010 33, 34, 36

CG-2000 33, 34

D

DA-6400 6, 22, 25, 26, 27, 28, 29, 36

DA-6400dp 25, 26, 27, 28, 29

H

HS-4000 36

I

IF-AE16 33, 34, 36

IF-DA2 6, 12, 18, 21, 25

IF-DA64 6, 22, 25, 26, 27, 28, 29

IF-MTR32 5, 11, 44

IF-ST2110 36

M

MA-BT240 4, 5, 7, 15, 16, 17, 19, 20, 21

MH-8 32, 33, 34

ML-32D 23, 29

ML-4D/OUT 18

ML-4D/OUT-X 6, 13

MM-2D 21

MM-4D/IN 12, 18

MM-4D/IN-X 6

Model 12 41, 42

Model 16 43

MX-8A 4, 7, 19, 20

MZ-123BT 15, 32

MZ-223BT 17

P

PS-P1220E 6, 12, 13, 18

R

RC-SS150 33, 34

RC-W100 4, 7, 14, 19

S

SB-16D 22, 23, 24, 25, 26, 28, 34, 35, 44

SS-CDR250N 4, 6, 7, 12, 19, 20, 25, 26, 33, 34

SS-R250N 14, 18, 21, 33, 34, 36

T

TASCAM DCP CONNECT 6, 12, 13, 18, 21

TASCAM EZ CONNECT 4, 6, 7, 18, 19

TASCAM MX CONNECT 4, 7, 19, 20

TASCAM Sonicview 16 8, 11, 14, 18, 23, 35, 37, 44

TASCAM Sonicview 24 5, 9, 22, 24, 25, 26,
28, 33, 34, 36, 37

TASCAM Sonicview Control 25, 44

TM-70 33, 34

TM-80 43

TM-82 5, 9, 11, 14, 16, 17, 19, 20, 26

TM-90BM 4, 32, 41

TM-95GN 4, 5, 6, 7, 8, 9, 11, 12, 14, 15,
18, 19, 20, 21, 32, 33, 41, 43,

TSQD-128A 42

U

US-42B 43

0-9

202MKVII 7, 9, 11, 14, 19, 20

TASCAM Sound.Thinking.

Please note that not all models and colors are available in every country. Design and specifications subject to change without notice. ©2025 TEAC Corporation. All Rights Reserved. All text, images, graphics and other materials on this brochure are subject to the copyright and other intellectual property rights of TEAC Corporation. These materials shall not directly or indirectly be published, reproduced, modified or distributed in any medium. TEAC and TASCAM are trademarks or registered trademarks of TEAC Corporation. Dante is a trademark of Audinate Pty Ltd. Other brands and product names are trademarks or registered trademarks of respective owners.

Authorized Distributors

TASCAM[®]

TEAC CORPORATION

1-47, Ochiai, Tama-shi, Tokyo 206-8530, Japan

<https://tascam.jp/int>

ISSUED IN JAPAN 2501 D7364L