

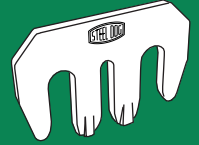


Specialty Clips

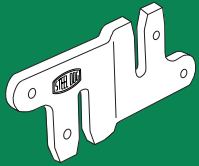
1-1/8" Forming Hardware



ST-100 Half Clip



EC-100 "E" Clip



OC-250 Offset Clip

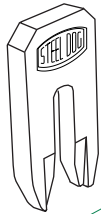


Essential 1-1/8" forming hardware.

These standard clips need to be a part of every 1-1/8" forming contractor's collection of loose hardware.

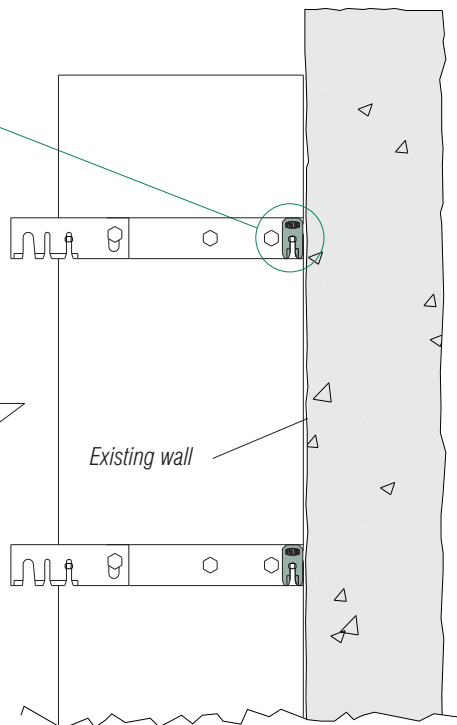
The all-purpose Half Clip.

There are many situations where a tie is needed but there is no swing latch, or where there is no room to swing the latch. That is where the Half Clip comes in handy. Our clip is narrow, to fit in tight spots, and it has a tapered lead in the slot to make it easier to catch the tie.



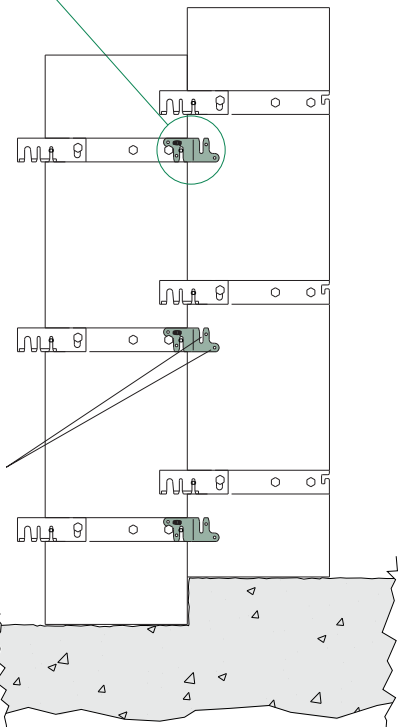
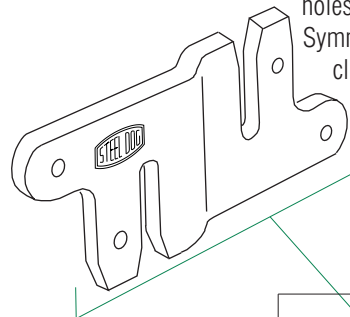
Half Clips can be used to catch the first ties on a wall that is being formed up against an existing foundation. On the other side of the wall, Half Clips would also be used because there is no room to swing the latches.

Here, Half Clips are used with a narrow filler strip:



Offset Clip for cases where the bars are not in line.

When there is a step-up on the footings, or any case where adjacent panels must be shifted vertically so that the panel bars do not line up, the Offset Clip can help. This clip catches a tie and connects the panels with two holes for nailing into the plywood. Symmetrical design means the clip works the same way on either side of the wall.



Two nail holes placed away from edge of panel for secure attachment without damaging edge