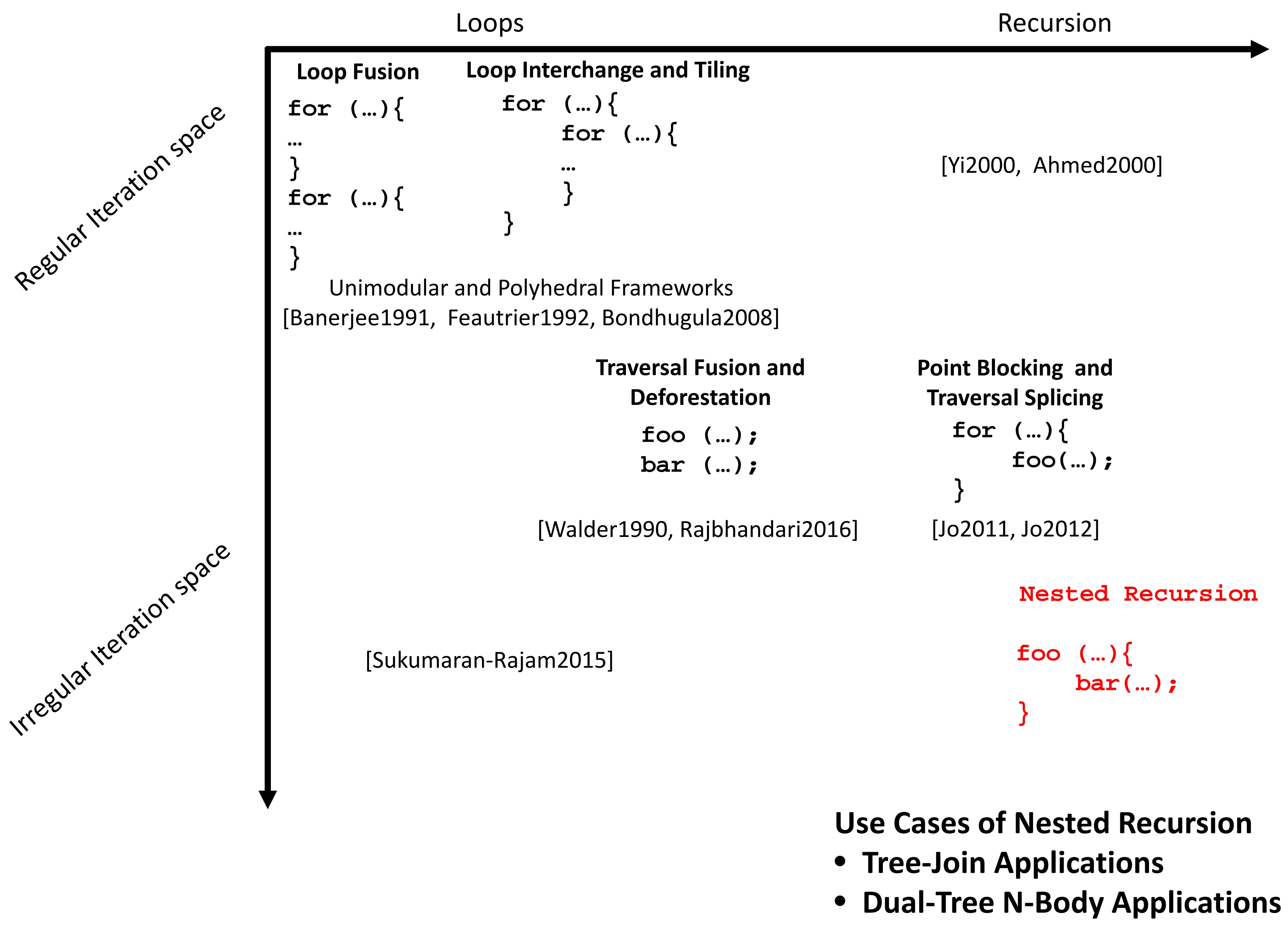
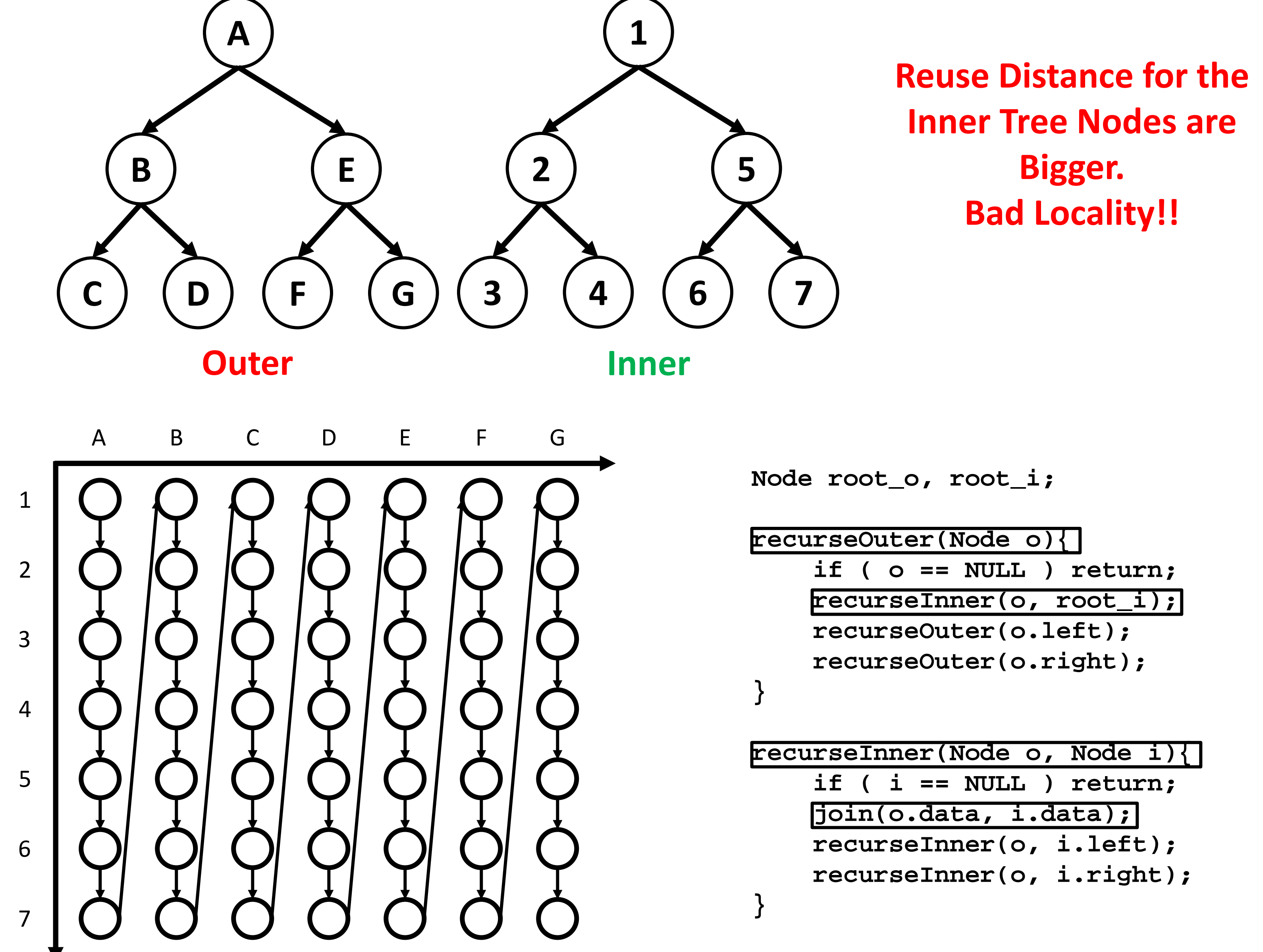


Introduction



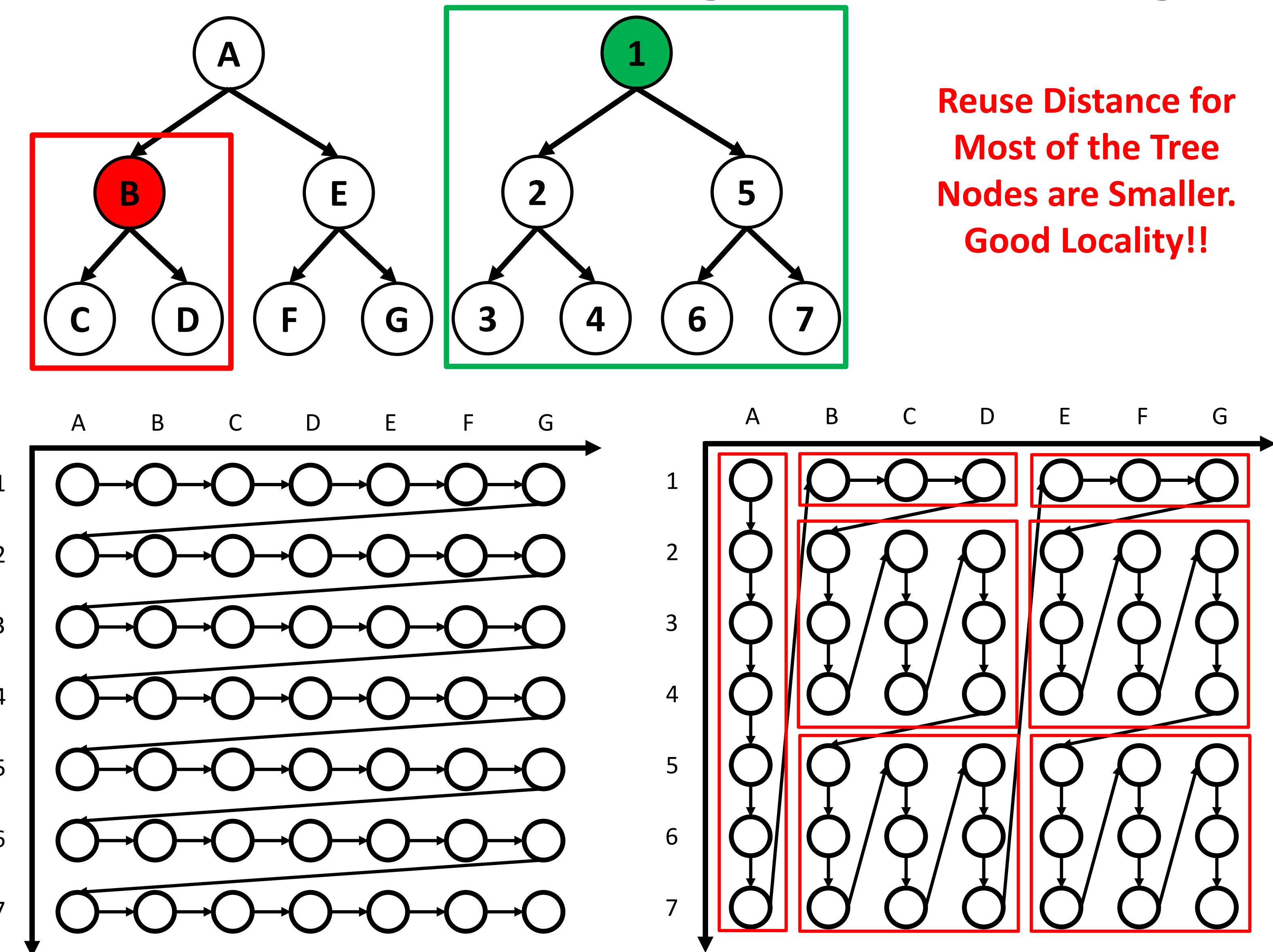
Nested Recursion



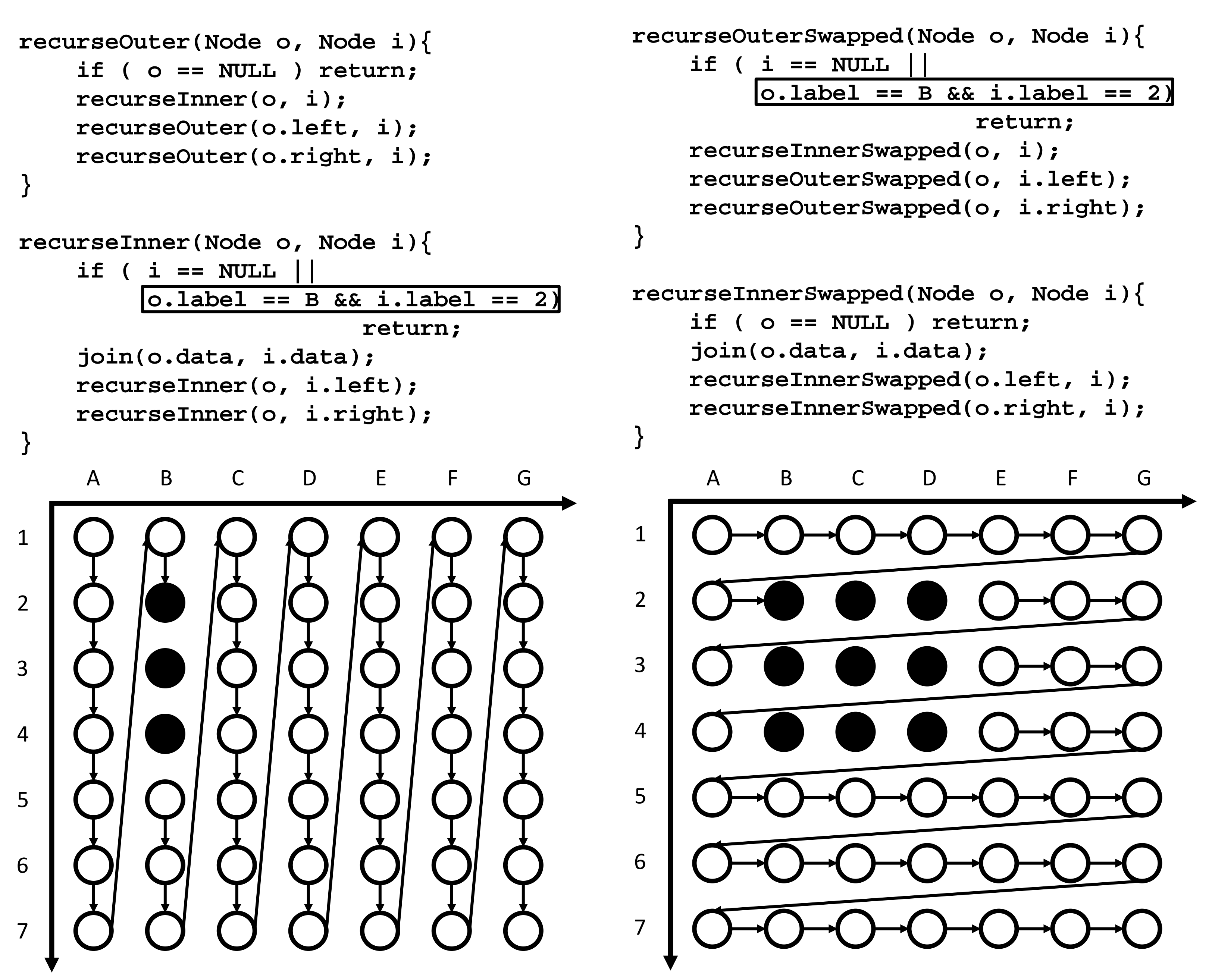
Contributions

- Developed locality transformations for **nested recursive iteration spaces**
- Introduced **recursion twisting**, a recursion-friendly analog of **loop tiling**
- Handling recursive iteration spaces with **irregular bounds**
- Achieved **~4x geo-mean performance enhancement** using our transformations

Recursion Interchange and Twisting



Irregular Iteration Spaces



Results

