



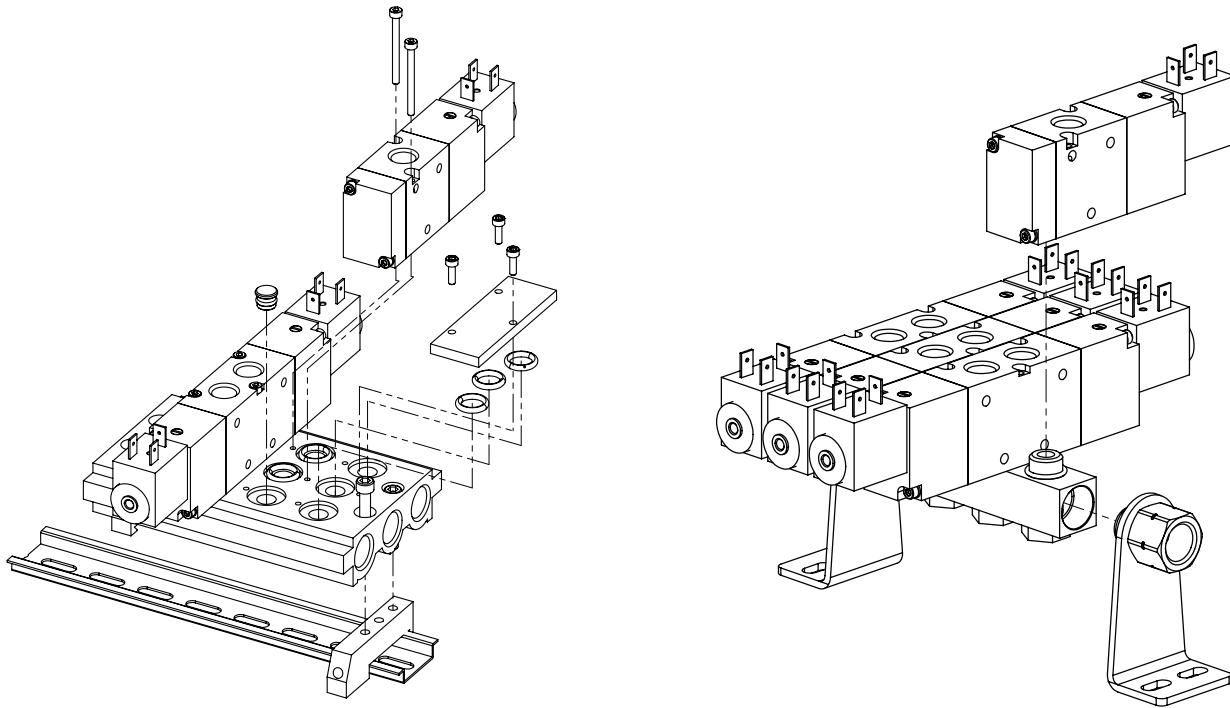
# Series 70 - Valve Components

Metal Work Series 70 valves is one of the most popular lines of valves produced in Italy by Metal Work. They feature heavy duty construction and many options to choose from.

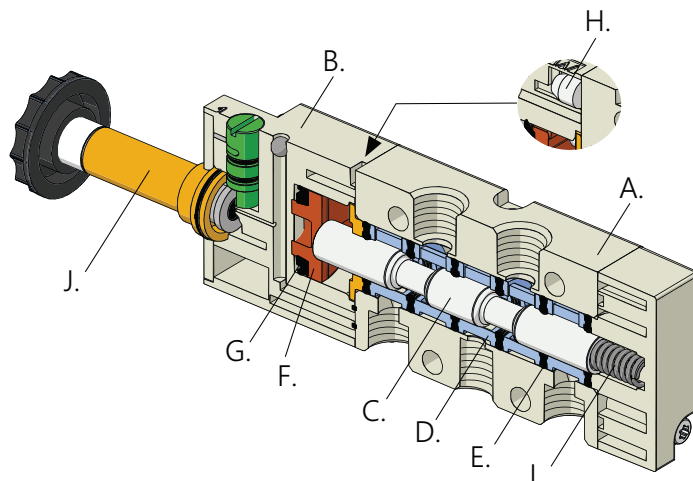
## Features

- Most styles available in four sizes
- 3-port (3-way) and 5-port (4-way) body-ported valves
- 2-position and 3-position operation
- Manual, mechanically operated, air pilot and solenoid valves

## Valve Base Assembly Examples



- A. VALVE BODY: Aluminum
- B. CONTROL/END CAP: Plastic
- C. SPOOL: chemically Nickel-plated aluminum
- D. SPOOL GUIDES: Plastic
- E. GASKETS: NBR
- F. PISTONS: Hostaform®
- G. PISTON GASKET: NBR
- H. FILTER: Sintered bronze
- I. SPRINGS: Spring steel
- J. OPERATOR: Brass pipe - Stainless steel core





# Series 70 - Manual Valves



Part No. 7010000100U



Part No. 7010001700U



Part No. 7030000100U

Metal Work Series 70 manual valves are rugged and reliable. They are easy to install and operate to control various pneumatic devices.

## Features

- 90-degree or axial hand lever operation
- 3-port (3-way), 2-position, 5-port (4-way), 2-position, and 5-port (4-way), 3-position configurations
- 1/8", 1/4" and 1/2" NPT sizes



See [www.AutomationDirect.com](http://www.AutomationDirect.com) for a wide variety of fitting options

Metal Work Series 70 - 1/8" NPT Port Manual Valves												
Model	7010000100U	7010000200U	7010000300U	7010000400U	7010000500U	7010000600U	7010000700U	7010000900U	7010001000U	7010001100U	7010001400U	7010001700U
Price	\$36.50	\$36.50	\$40.00	\$40.00	\$43.00	\$43.00	\$43.00	\$43.00	\$43.00	\$43.00	\$30.50	\$33.50
Drawing Link	<a href="#">PDF</a>	<a href="#">PDF</a>	<a href="#">PDF</a>	<a href="#">PDF</a>	<a href="#">PDF</a>	<a href="#">PDF</a>	<a href="#">PDF</a>	<a href="#">PDF</a>	<a href="#">PDF</a>	<a href="#">PDF</a>	<a href="#">PDF</a>	<a href="#">PDF</a>
Weight (lb)	0.39		0.45					0.55			0.39	
Manufacturer Specs	<a href="#">PDF</a>	<a href="#">PDF</a>	<a href="#">PDF</a>	<a href="#">PDF</a>	<a href="#">PDF</a>	<a href="#">PDF</a>	<a href="#">PDF</a>	<a href="#">PDF</a>	<a href="#">PDF</a>	<a href="#">PDF</a>	<a href="#">PDF</a>	<a href="#">PDF</a>
Valve Type	3-port (3-way), 2-position		5-port (4-way), 2-position		5-port (4-way), 3-position, center closed	5-port (4-way), 3-position, center exhaust	5-port (4-way), 3-position, center pressure	5-port (4-way), 3-position, center exhaust	5-port (4-way), 3-position, center closed	5-port (4-way), 3-position, center pressure	3-port (3-way), 2-position	5-port (4-way), 2-position
Valve Configuration	N.C.						N/A					
Operator	90-deg hand lever										Axial hand lever	
Acting	Spring return	Detented	Spring return	Detented				Spring return			Detented	
Inlet Port Size	1/8" FNPT											
Outlet Port Size	1/8" FNPT											
Flow (Cv)	0.55											
Media	Filtered air without lubrication; lubrication, if used, must be continuous											
Pressure Range	Vacuum to 145 psi											
Temperature	14°F to 140°F (-10°C to 60°C)											
Lubrication	ISO and UNI FD 22											
Life Cycle	1 million cycles											

For additional details see manufacturer's technical specifications, manuals and inserts (where applicable).



# Series 70 - Manual Valves

Metal Work Series 70 - 1/4" NPT Port Manual Valves												
Model	<a href="#">7020000100U</a>	<a href="#">7020000200U</a>	<a href="#">7020000300U</a>	<a href="#">7020000400U</a>	<a href="#">7020000500U</a>	<a href="#">7020000600U</a>	<a href="#">7020000700U</a>	<a href="#">7020000900U</a>	<a href="#">7020001000U</a>	<a href="#">7020001100U</a>	<a href="#">7020001400U</a>	<a href="#">7020001700U</a>
Price	\$62.00	\$62.00	\$67.00	\$67.00	\$70.00	\$70.00	\$70.00	\$70.00	\$70.00	\$70.00	\$37.00	\$42.50
Drawing Link	<a href="#">PDF</a>	<a href="#">PDF</a>	<a href="#">PDF</a>	<a href="#">PDF</a>	<a href="#">PDF</a>	<a href="#">PDF</a>	<a href="#">PDF</a>	<a href="#">PDF</a>	<a href="#">PDF</a>	<a href="#">PDF</a>	<a href="#">PDF</a>	<a href="#">PDF</a>
Weight (lb)	0.56		0.66					0.79			0.49	0.59
Manufacturer Specs	<a href="#">PDF</a>	<a href="#">PDF</a>	<a href="#">PDF</a>	<a href="#">PDF</a>	<a href="#">PDF</a>	<a href="#">PDF</a>	<a href="#">PDF</a>	<a href="#">PDF</a>	<a href="#">PDF</a>	<a href="#">PDF</a>	<a href="#">PDF</a>	<a href="#">PDF</a>
Valve Type	3-port (3-way), 2-position		5-port (4-way), 2-position		5-port (4-way), 3-position, center closed	5-port (4-way), 3-position, center exhaust	5-port (4-way), 3-position, center pressure	5-port (4-way), 3-position, center exhaust	5-port (4-way), 3-position, center closed	5-port (4-way), 3-position, center pressure	3-port (3-way), 2-position	5-port (4-way), 2-position
Valve Configuration	N.C.		N/A									
Operator	90-deg hand lever										Axial hand lever	
Acting	Spring return	Detented	Spring return	Detented				Spring return			Detented	
Inlet Port Size	1/4" FNPT											
Outlet Port Size	1/4" FNPT											
Flow (Cv)	1.1											
Media	Filtered air without lubrication; lubrication, if used, must be continuous											
Pressure Range	Vacuum to 145 psi											
Temperature	14°F to 140°F (-10°C to 60°C)											
Lubrication	ISO and UNI FD 22											
Life Cycle	1 million cycles											

Metal Work Series 70 - 1/2" NPT Port Manual Valves											
Model	<a href="#">7030000100U</a>	<a href="#">7030000200U</a>	<a href="#">7030000300U</a>	<a href="#">7030000400U</a>	<a href="#">7030000500U</a>	<a href="#">7030000600U</a>	<a href="#">7030000700U</a>	<a href="#">7030000900U</a>	<a href="#">7030001000U</a>	<a href="#">7030001100U</a>	
Price	\$131.00	\$131.00	\$148.00	\$148.00	\$160.00	\$160.00	\$160.00	\$160.00	\$160.00	\$160.00	
Drawing Link	<a href="#">PDF</a>	<a href="#">PDF</a>	<a href="#">PDF</a>	<a href="#">PDF</a>	<a href="#">PDF</a>	<a href="#">PDF</a>	<a href="#">PDF</a>	<a href="#">PDF</a>	<a href="#">PDF</a>	<a href="#">PDF</a>	
Weight (lb)	3.24	3.2	3.62	3.59			3.56	3.98			
Manufacturer Specs	<a href="#">PDF</a>	<a href="#">PDF</a>	<a href="#">PDF</a>	<a href="#">PDF</a>	<a href="#">PDF</a>	<a href="#">PDF</a>	<a href="#">PDF</a>	<a href="#">PDF</a>	<a href="#">PDF</a>	<a href="#">PDF</a>	
Valve Type	3-port (3-way), 2-position		5-port (4-way), 2-position		5-port (4-way), 3-position, center closed	5-port (4-way), 3-position, center exhaust	5-port (4-way), 3-position, center pressure	5-port (4-way), 3-position, center exhaust	5-port (4-way), 3-position, center closed	5-port (4-way), 3-position, center pressure	
Valve Configuration	N.C.		N/A								
Operator	90-deg hand lever										
Acting	Spring return	Detented	Spring return	Detented				Spring return			
Inlet Port Size	1/2" FNPT										
Outlet Port Size	1/2" FNPT										
Flow (Cv)	4.6										
Media	Filtered air without lubrication; lubrication, if used, must be continuous										
Pressure Range	Vacuum to 145 psi										
Temperature	14°F to 140°F (-10°C to 60°C)										
Lubrication	ISO and UNI FD 22										
Life Cycle	1 million cycles										

For additional details see manufacturer's technical specifications, manuals and inserts (where applicable).



# Series 70 - Knob-Actuated Valves



Part No. 7010001300U

Metal Work Series 70 knob-actuated valves are an excellent choice for non-electric applications.

## Features

- Easy push-pull knob operation
- 3-port (3-way), 2-position and 5-port (4-way), 2-position configurations
- 1/8" NPT port sizes



See [www.AutomationDirect.com](http://www.AutomationDirect.com) for a wide variety of fitting options

Metal Work Series 70 - Knob-Actuated Valves				
Model	7010001200U	7010001300U	7010001500U	7010001600U
Price	\$25.50	\$28.00	\$29.00	\$32.00
Drawing Link	<a href="#">PDF</a>	<a href="#">PDF</a>	<a href="#">PDF</a>	<a href="#">PDF</a>
Weight (lb)	0.32		0.38	
Manufacturer Specs	<a href="#">PDF</a>	<a href="#">PDF</a>	<a href="#">PDF</a>	<a href="#">PDF</a>
Valve Type	3-port (3-way), 2-position		5-port (4-way), 2-position	
Valve Configuration	N.C.		N/A	
Operator	Knob			
Acting	Spring return	Detented	Spring return	Detented
Inlet Port Size	1/8" FNPT			
Outlet Port Size	1/8" FNPT			
Flow (Cv)	0.55			
Media	Filtered air without lubrication; lubrication, if used, must be continuous			
Pressure Range	Vacuum to 145 psi			
Temperature	14°F to 140°F (-10°C to 60°C)			
Lubrication	ISO and UNI FD 22			
Life Cycle	1 million cycles			

For additional details see manufacturer's technical specifications, manuals and inserts (where applicable).



# Series 70 - Mechanically-Operated Valves

Metal Work Series 70 mechanically-operated valves are an excellent choice for many applications where electrical sensors are not wanted.

## Features

- Various actuator types to suit many applications
- 3-port (3-way), 2-position and 5-port (4-way), 2-position configurations
- 1/8" NPT port sizes



Part No. 7001000100U



Part No. 7001000200U



Part No. 7001000500U



Part No. 7001000600U



Part No. 7001000700U



Part No. 7001000910U



See [www.AutomationDirect.com](http://www.AutomationDirect.com) for a wide variety of fitting options

## Metal Work Series 70 - Mechanically-Operated Valves

Model	7001000100U	7001000110U	7001000200U	7001000210U	7001000400U	7001000410U	7001000500U	7001000510U
<b>Price</b>	\$23.00	\$25.50	\$41.50	\$44.50	\$43.00	\$47.00	\$32.00	\$35.00
<b>Drawing Link</b>	<a href="#">PDF</a>	<a href="#">PDF</a>	<a href="#">PDF</a>	<a href="#">PDF</a>	<a href="#">PDF</a>	<a href="#">PDF</a>	<a href="#">PDF</a>	<a href="#">PDF</a>
<b>Weight (lb)</b>	0.2	0.27	0.29	0.35	0.32	0.38	0.32	0.38
<b>Manufacturer Specs</b>	<a href="#">PDF</a>	<a href="#">PDF</a>	<a href="#">PDF</a>	<a href="#">PDF</a>	<a href="#">PDF</a>	<a href="#">PDF</a>	<a href="#">PDF</a>	<a href="#">PDF</a>
<b>Valve Type</b>	3-port (3-way), 2-position, spring return	5-port (4-way), 2-position, spring return	3-port (3-way), 2-position, spring return	5-port (4-way), 2-position, spring return	3-port (3-way), 2-position, spring return	5-port (4-way), 2-position, spring return	3-port (3-way), 2-position, spring return	5-port (4-way), 2-position, spring return
<b>Valve Configuration</b>	N.C.	N/A	N.C.	N/A	N.C.	N/A	N.C.	N/A
<b>Operator</b>	Plunger		Pilot-assisted plunger		Pilot-assisted roller lever		Roller lever	
<b>Acting</b>	Spring return							
<b>Inlet Port Size</b>	1/8" FNPT							
<b>Outlet Port Size</b>	1/8" FNPT							
<b>Flow (Cv)</b>	0.55							
<b>Media</b>	Filtered air without lubrication; lubrication, if used, must be continuous							
<b>Pressure Range</b>	Vacuum to 145 psi		36.3 to 145 psi				Vacuum to 145 psi	
<b>Temperature</b>	14°F to 140°F (-10°C to 60°C)							
<b>Lubrication</b>	ISO and UNI FD 22							
<b>Life Cycle</b>	2 million cycles							

For additional details see manufacturer's technical specifications, manuals and inserts (where applicable).



# Series 70 - Mechanically-Operated Valves

Metal Work Series 70 - Mechanically-Operated Valves						
Model	7001000600U	7001000610U	7001000700U	7001000710U	7001000900U	7001000910U
<b>Price</b>	\$32.50	\$35.00	\$56.00	\$59.00	\$57.00	\$60.00
<b>Drawing Link</b>	<a href="#">PDF</a>	<a href="#">PDF</a>	<a href="#">PDF</a>	<a href="#">PDF</a>	<a href="#">PDF</a>	<a href="#">PDF</a>
<b>Weight (lb)</b>	0.34	0.4	0.34	0.44		0.54
<b>Manufacturer Specs</b>	<a href="#">PDF</a>	<a href="#">PDF</a>	<a href="#">PDF</a>	<a href="#">PDF</a>	<a href="#">PDF</a>	<a href="#">PDF</a>
<b>Valve Type</b>	3-port (3-way), 2-position, spring return	5-port (4-way), 2-position, spring return	3-port (3-way), spring return	5-port (4-way), 2-position, spring return	3-port (3-way), 2-position, spring return	5-port (4-way), 2-position, spring return
<b>Valve Configuration</b>	N.C.	N/A	N.C.	N/A	N.C.	N/A
<b>Operator</b>	Unidirectional roller lever		Pilot-assisted whisker		Pilot-assisted adjustable roller lever	
<b>Acting</b>	Spring return					
<b>Inlet Port Size</b>	1/8" FNPT					
<b>Outlet Port Size</b>	1/8" FNPT					
<b>Flow (Cv)</b>	0.55					
<b>Media</b>	Filtered air without lubrication; lubrication, if used, must be continuous					
<b>Pressure Range</b>	Vacuum to 145 psi		36.3 to 145 psi		Vacuum to 145 psi	
<b>Temperature</b>	14°F to 140°F (-10°C to 60°C)					
<b>Lubrication</b>	ISO and UNI FD 22					
<b>Life Cycle</b>	2 million cycles					

For additional details see manufacturer's technical specifications, manuals and inserts (where applicable).



# Series 70 - Mechanical Valves for Use with Panel Operators

These Metal Work Series 70 valves attach to pushbutton operators to provide numerous options for pneumatic control.



## Features

- Fit NITRA 22mm pneumatic pushbuttons
- 3-port (3-way), 2-position and 5-port (4-way), 2-position configurations
- 1/8" NPT port sizes

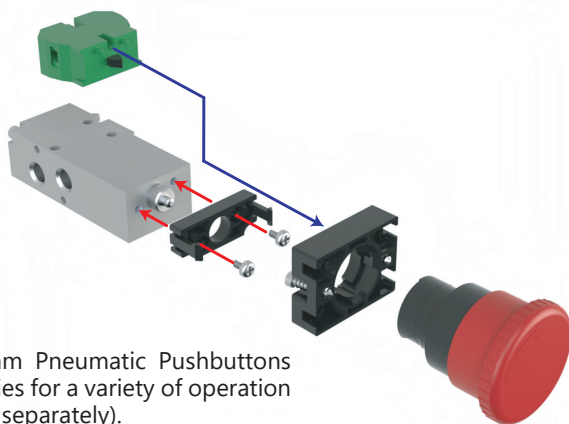
Part No. 7010001800U



See [www.AutomationDirect.com](http://www.AutomationDirect.com) for a wide variety of fitting options

Metal Work Series 70 - Mechanical Valves		
Model	7010001800U	7010001900U
Price	\$42.00	\$46.00
Drawing Link	<a href="#">PDF</a>	<a href="#">PDF</a>
Weight (lb)	0.29	0.35
Manufacturer Specs	<a href="#">PDF</a>	<a href="#">PDF</a>
Valve Type	3-port (3-way), 2-position, spring return	5-port (4-way), 2-position, spring return
Valve Configuration	N.C.	N/A
Operator	Pneumatic switch	
Acting	Spring return	
Inlet Port Size	1/8" FNPT	
Outlet Port Size	1/8" FNPT	
Flow (Cv)	0.55	
Media	Filtered air without lubrication; lubrication, if used, must be continuous	
Pressure Range	36.3 to 145 psi	
Temperature	14°F to 140°F (-10°C to 60°C)	
Lubrication	ISO and UNI FD 22	
Life Cycle	1 million cycles	

For additional details see manufacturer's technical specifications, manuals and inserts (where applicable).



See our 22mm Pneumatic Pushbuttons and Accessories for a variety of operation options (sold separately).



# Series 70 - Air Pilot Valves

Metal Work Series 70 air pilot valves are an excellent choice for many pneumatic applications.

## Features

- 3-port (3-way), 2-position, 5-port (4-way), 2-position, and 5-port (4-way), 3-position configurations
- 1/8", 1/4", 3/8" and 1/2" NPT



Part No. 7020010200U



Part No. 7030011200U



See [www.AutomationDirect.com](http://www.AutomationDirect.com) for a wide variety of fitting options

Metal Work Series 70 - 1/8" NPT Port Air Pilot Valves							
Model	7010010200U	7010010400U	7010011000U	7010011200U	7010012100U	7010012200U	7010012300U
Price	\$29.50	\$29.50	\$35.00	\$37.50	\$39.50	\$39.50	\$39.50
Drawing Link	<a href="#">PDF</a>	<a href="#">PDF</a>	<a href="#">PDF</a>	<a href="#">PDF</a>	<a href="#">PDF</a>	<a href="#">PDF</a>	<a href="#">PDF</a>
Weight (lb)	0.2		0.26	0.28		0.33	
Manufacturer Specs	<a href="#">PDF</a>	<a href="#">PDF</a>	<a href="#">PDF</a>	<a href="#">PDF</a>	<a href="#">PDF</a>	<a href="#">PDF</a>	<a href="#">PDF</a>
Valve Type	3-port (3-way), 2-position	3-port (3-way), 2-position	5-port (4-way), 2-position	5-port (4-way), 2-position	5-port (4-way), 3-position, center closed	5-port (4-way), 3-position, center exhaust	5-port (4-way), 3-position, center pressure
Valve Configuration	N.C.	N.O.	N/A				
Operator	Pilot						
Acting	Single air pilot, spring return			Double air pilot			
Inlet Port Size	1/8" FNPT						
Outlet Port Size	1/8" FNPT						
Pilot Port Size	1/8" FNPT						
Flow (Cv)	0.55						
Media	Filtered air without lubrication; lubrication, if used, must be continuous						
Pressure Range	Operating: Vacuum to 145 psi ; Min pilot: 36.3 psi			Operating: Vacuum to 145 psi ; Min pilot: 14.5 psi	Operating: Vacuum to 145 psi ; Min pilot: 36.3 psi		
Actuation Response Time (TRA) / Reset Response Time (TRR) at 87 psi	6/15 ms			7/7 ms	6/15 ms		
Temperature	14°F to 140°F (-10°C to 60°C)						
Lubrication	ISO and UNI FD 22						
Life Cycle	50 million cycles						

For additional details see manufacturer's technical specifications, manuals and inserts (where applicable).





# Series 70 - Air Pilot Valves

Metal Work Series 70 - 1/4" NPT Port Air Pilot Valves							
Model	7020010200U	7020010400U	7020011000U	7020011200U	7020012100U	7020012200U	7020012300U
Price	\$37.50	\$37.50	\$43.00	\$47.00	\$49.50	\$49.50	\$49.50
Drawing Link	<a href="#">PDF</a>	<a href="#">PDF</a>	<a href="#">PDF</a>	<a href="#">PDF</a>	<a href="#">PDF</a>	<a href="#">PDF</a>	<a href="#">PDF</a>
Weight (lb)	0.28	0.28	0.39		0.46		
Manufacturer Specs	<a href="#">PDF</a>	<a href="#">PDF</a>	<a href="#">PDF</a>	<a href="#">PDF</a>	<a href="#">PDF</a>	<a href="#">PDF</a>	<a href="#">PDF</a>
Valve Type	3-port (3-way), 2-position	3-port (3-way), 2-position	5-port (4-way), 2-position	5-port (4-way), 2-position	5-port (4-way), 3-position, center closed	5-port (4-way), 3-position, center exhaust	5-port (4-way), 3-position, center pressure
Valve Configuration	N.C.	N.O.	N/A				
Operator				Pilot			
Acting	Single air pilot, spring return			Double air pilot			
Inlet Port Size	1/4" FNPT						
Outlet Port Size	1/4" FNPT						
Pilot Port Size	1/8" FNPT						
Flow (Cv)	1.1						
Media	Filtered air without lubrication; lubrication, if used, must be continuous						
Pressure Range	Operating: Vacuum to 145 psi ; Min pilot: 36.3 psi			Operating: Vacuum to 145 psi ; Min pilot: 14.5 psi	Operating: Vacuum to 145 psi ; Min pilot: 36.3 psi		
Actuation Response Time (TRA) / Reset Response Time (TRR) at 87 psi	7/15 ms			7/7 ms	7/15 ms		
Temperature	14°F to 140°F (-10°C to 60°C)						
Lubrication	ISO and UNI FD 22						
Life Cycle	50 million cycles						

Metal Work Series 70 - 3/8" NPT Port Air Pilot Valves					
Model	7040010200U	7040010400U	7040011000U	7040011200U	7040012100U
Price	\$51.00	\$51.00	\$59.00	\$64.00	\$67.00
Drawing Link	<a href="#">PDF</a>	<a href="#">PDF</a>	<a href="#">PDF</a>	<a href="#">PDF</a>	<a href="#">PDF</a>
Weight (lb)	0.51		0.71	0.76	0.93
Manufacturer Specs	<a href="#">PDF</a>	<a href="#">PDF</a>	<a href="#">PDF</a>	<a href="#">PDF</a>	<a href="#">PDF</a>
Valve Type	3-port (3-way), 2-position,	3-port (3-way), 2-position	5-port (4-way), 2-position,	5-port (4-way), 2-position	5-port (4-way), 3-position, center closed
Valve Configuration	N.C.	N.O.	N/A		
Operator	Pilot				
Acting	Single air pilot, spring return			Double air pilot	
Inlet Port Size	3/8" FNPT				
Outlet Port Size	3/8" FNPT				
Pilot Port Size	1/8" FNPT				
Flow (Cv)	2.1				
Media	Filtered air without lubrication; lubrication, if used, must be continuous				
Pressure Range	Operating: Vacuum to 145 psi ; Min pilot: 36.3 psi			Operating: Vacuum to 145 psi ; Min pilot: 14.5 psi	Operating: Vacuum to 145 psi ; Min pilot: 36.3 psi
Actuation Response Time (TRA) / Reset Response Time (TRR) at 87 psi	5/28 ms			13/13 ms	5/28 ms
Temperature	14°F to 140°F (-10°C to 60°C)				
Lubrication	ISO and UNI FD 22				
Life Cycle	50 million cycles				

For additional details see manufacturer's technical specifications, manuals and inserts (where applicable).



# Series 70 - Air Pilot Valves

Metal Work Series 70 - 1/2" NPT Port Air Pilot Valves					
Model	7030010200U	7030010400U	7030011000U	7030011200U	7030012100U
Price	\$91.00	\$91.00	\$132.00	\$145.00	\$154.00
Drawing Link	<a href="#">PDF</a>	<a href="#">PDF</a>	<a href="#">PDF</a>	<a href="#">PDF</a>	<a href="#">PDF</a>
Weight (lb)	1.47		1.86		2.62
Manufacturer Specs	<a href="#">PDF</a>	<a href="#">PDF</a>	<a href="#">PDF</a>	<a href="#">PDF</a>	<a href="#">PDF</a>
Valve Type	3-port (3-way), 2-position	3-port (3-way), 2-position	5-port (4-way), 2-position	5-port (4-way), 2-position	5-port (4-way), 3-position, center closed
Valve Configuration	N.C.	N.O.	N/A		
Operator	Pilot				
Acting	Single air pilot, spring return			Double air pilot	
Inlet Port Size	1/2" FNPT				
Outlet Port Size	1/2" FNPT				
Pilot Port Size	1/8" FNPT				
Flow (Cv)	4.6				
Media	Filtered air without lubrication; lubrication, if used, must be continuous				
Pressure Range	Operating: Vacuum to 145 psi ; Min pilot: 36.3 psi			Operating: Vacuum to 145 psi ; Min pilot: 14.5 psi	Operating: Vacuum to 145 psi ; Min pilot: 36.3 psi
Actuation Response Time (TRA) / Reset Response Time (TRR) at 87 psi	16/80 ms			25/25 ms	16/80 ms
Temperature	14°F to 140°F (-10°C to 60°C)				
Lubrication	ISO and UNI FD 22				
Life Cycle	50 million cycles				

For additional details see manufacturer's technical specifications, manuals and inserts (where applicable).



# Series 70 - Solenoid Valves

Metal Work Series 70 solenoid valves are an excellent choice for many pneumatic automation applications. They can be used individually or built into a bank with optional manifolds.

## Features

- Single and double solenoid models. Coils purchased separately
- 3-port (3-way), 2-position, 5-port (4-way), 2-position, and 5-port (4-way), 3-position configurations
- 1/8", 1/4", 3/8" and 1/2" NPT



Part No. 7010021100U



Part No. 7030021200U



See [www.AutomationDirect.com](http://www.AutomationDirect.com) for a wide variety of fitting options

Metal Work Series 70 - 1/8" NPT Port Solenoid Valves								
Model	7010020100U	7010020200U	7010020400U	7010021100U	7010021200U	7010022100U	7010022200U	7010022300U
Price	\$76.00	\$50.00	\$48.50	\$56.00	\$75.00	\$86.00	\$86.00	\$86.00
Drawing Link	<a href="#">PDF</a>	<a href="#">PDF</a>	<a href="#">PDF</a>	<a href="#">PDF</a>	<a href="#">PDF</a>	<a href="#">PDF</a>	<a href="#">PDF</a>	<a href="#">PDF</a>
Weight (lb)	0.31	0.24		0.31	0.38			
Manufacturer Specs	<a href="#">PDF</a>	<a href="#">PDF</a>	<a href="#">PDF</a>	<a href="#">PDF</a>	<a href="#">PDF</a>	<a href="#">PDF</a>	<a href="#">PDF</a>	<a href="#">PDF</a>
Valve Type	3-port (3-way), 2-position			5-port (4-way), 2-position		5-port (4-way), 3-position, center closed	5-port (4-way), 3-position, center exhaust	5-port (4-way), 3-position, center pressure
Valve Configuration	N/A	N.C.	N.O.	N/A				
Operator	Solenoid							
Acting	Double solenoid	Single solenoid, spring return			Double solenoid			
Inlet Port Size	1/8" FNPT							
Outlet Port Size	1/8" FNPT							
Flow (Cv)	0.55							
Media	Filtered air without lubrication; lubrication, if used, must be continuous							
Pressure Range	14.5 to 145 psi	36.3 to 145 psi			14.5 to 145 psi	36.3 to 145 psi		
Temperature	14°F to 140°F (-10°C to 60°C)							
Lubrication	ISO and UNI FD 22							
Life Cycle	50 million cycles							
Specifications When Used With Metal Work Coils (Sold Separately)								
Voltage (± 10%)	12; 24 VDC - 24; 110; 220V AC 50/60Hz							
Power Consumption	DC Coils: 2W ; AC Coils: 3.5 VA							
Insulation	Class F							
Actuation Response Time (TRA) / Reset Response Time (TRR) at 87 psi	20/20 ms	15/35 ms			20/20 ms	15/35 ms		
Protection	IP 65 with connector							
Connection	11mm DIN style wiring plug							
Agency Approvals*	Coils have CE mark							

\* To obtain the most current agency approval information, see the Agency Approval Checklist section on the specific part number's web page.

For additional details see manufacturer's technical specifications, manuals and inserts (where applicable).



# Series 70 - Solenoid Valves

Metal Work Series 70 - 1/4" NPT Port Solenoid Valves								
Model	7020020100U	7020020200U	7020020400U	7020021100U	7020021200U	7020022100U	7020022200U	7020022300U
<b>Price</b>	\$78.00	\$58.00	\$55.00	\$62.00	\$79.00	\$99.00	\$99.00	\$99.00
<b>Drawing Link</b>	<a href="#">PDF</a>	<a href="#">PDF</a>	<a href="#">PDF</a>	<a href="#">PDF</a>	<a href="#">PDF</a>	<a href="#">PDF</a>	<a href="#">PDF</a>	<a href="#">PDF</a>
<b>Weight (lb)</b>	0.43	0.35		0.45	0.53	0.58	0.58	0.58
<b>Manufacturer Specs</b>	<a href="#">PDF</a>	<a href="#">PDF</a>	<a href="#">PDF</a>	<a href="#">PDF</a>	<a href="#">PDF</a>	<a href="#">PDF</a>	<a href="#">PDF</a>	<a href="#">PDF</a>
<b>Valve Type</b>	3-port (3-way), 2-position, single solenoid, spring return			5-port (4-way), 2-position		5-port (4-way), 3-position, center closed	5-port (4-way), 3-position, center exhaust	5-port (4-way), 3-position, center pressure
<b>Valve Configuration</b>	N/A	N.C.	N.O.	N/A				
<b>Operator</b>	Solenoid							
<b>Acting</b>	Double solenoid	Single solenoid, spring return			Double solenoid			
<b>Inlet Port Size</b>	1/4" FNPT							
<b>Outlet Port Size</b>	1/4" FNPT							
<b>Flow (Cv)</b>	1.1							
<b>Media</b>	Filtered air without lubrication; lubrication, if used, must be continuous							
<b>Pressure Range</b>	14.5 to 145 psi	36.3 to 145 psi			14.5 to 145 psi	36.3 to 145 psi		
<b>Temperature</b>	14°F to 140°F (-10°C to 60°C)							
<b>Lubrication</b>	ISO and UNI FD 22							
<b>Life Cycle</b>	50 million cycles							
Specifications When Used With Metal Work Coils (Sold Separately)								
<b>Voltage (± 10%)</b>	12; 24 VDC - 24; 110; 220V AC 50/60Hz							
<b>Power Consumption</b>	DC Coils: 2W ; AC Coils: 3.5 VA							
<b>Insulation</b>	Class F							
<b>Actuation Response Time (TRA) / Reset Response Time (TRR) at 87 psi</b>	21/21 ms	19/45 ms			21/21 ms	19/45 ms		
<b>Protection</b>	IP 65 with connector							
<b>Connection</b>	11mm DIN style wiring plug							
<b>Agency Approvals*</b>	Coils have CE mark							

\* To obtain the most current agency approval information, see the Agency Approval Checklist section on the specific part number's web page. For additional details see manufacturer's technical specifications, manuals and inserts (where applicable).



# Series 70 - Solenoid Valves

Metal Work Series 70 - 3/8" NPT Port Solenoid Valves								
Model	7040020100U	7040020200U	7040020400U	7040021100U	7040021200U	7040022100U	7040022200U	7040022300U
<b>Price</b>	\$89.00	\$69.00	\$69.00	\$73.00	\$95.00	\$118.00	\$118.00	\$118.00
<b>Drawing Link</b>	<a href="#">PDF</a>	<a href="#">PDF</a>	<a href="#">PDF</a>	<a href="#">PDF</a>	<a href="#">PDF</a>	<a href="#">PDF</a>	<a href="#">PDF</a>	<a href="#">PDF</a>
<b>Weight (lb)</b>	0.69	0.58		0.82	0.89	1.06	1.06	
<b>Manufacturer Specs</b>	<a href="#">PDF</a>	<a href="#">PDF</a>	<a href="#">PDF</a>	<a href="#">PDF</a>	<a href="#">PDF</a>	<a href="#">PDF</a>	<a href="#">PDF</a>	<a href="#">PDF</a>
<b>Valve Type</b>	3-port (3-way), 2-position			5-port (4-way), 2-position		5-port (4-way), 3-position, center closed	5-port (4-way), 3-position, center exhaust	5-port (4-way), 3-position, center pressure
<b>Valve Configuration</b>	N/A	N.C.	N.O.	N/A				
<b>Operator</b>	Solenoid							
<b>Acting</b>	Double solenoid	Single solenoid, spring return			Double solenoid			
<b>Inlet Port Size</b>	3/8" FNPT							
<b>Outlet Port Size</b>	3/8" FNPT							
<b>Flow (Cv)</b>	2.1							
<b>Media</b>	Filtered air without lubrication; lubrication, if used, must be continuous							
<b>Pressure Range</b>	14.5 to 145 psi	36.3 to 145 psi			14.5 to 145 psi	36.3 to 145 psi		
<b>Temperature</b>	14°F to 140°F (-10°C to 60°C)							
<b>Lubrication</b>	ISO and UNI FD 22							
<b>Life Cycle</b>	50 million cycles							
Specifications When Used With Metal Work Coils (Sold Separately)								
<b>Voltage (± 10%)</b>	12; 24 VDC - 24; 110; 220V AC 50/60Hz							
<b>Power Consumption</b>	DC Coils: 2W ; AC Coils: 3.5 VA							
<b>Insulation</b>	Class F							
<b>Actuation Response Time (TRA) / Reset Response Time (TRR) at 87 psi</b>	18/18 ms	21/72 ms			18/18 ms	21/72 ms		
<b>Protection</b>	IP 65 with connector							
<b>Connection</b>	11mm DIN style wiring plug							
<b>Agency Approvals*</b>	Coils have CE mark							

\* To obtain the most current agency approval information, see the Agency Approval Checklist section on the specific part number's web page.

For additional details see manufacturer's technical specifications, manuals and inserts (where applicable).



# Series 70 - Solenoid Valves

Metal Work Series 70 - 1/2" NPT Port Solenoid Valves								
Model	7030020100U	7030020200U	7030020400U	7030021100U	7030021200U	7030022100U	7030022200U	7030022300U
<b>Price</b>	\$162.00	\$131.00	\$131.00	\$151.00	\$183.00	\$195.00	\$195.00	\$195.00
<b>Drawing Link</b>	<a href="#">PDF</a>	<a href="#">PDF</a>	<a href="#">PDF</a>	<a href="#">PDF</a>	<a href="#">PDF</a>	<a href="#">PDF</a>	<a href="#">PDF</a>	<a href="#">PDF</a>
<b>Weight (lb)</b>	1.64	1.51		1.95	2.02	2.75		
<b>Manufacturer Specs</b>	<a href="#">PDF</a>	<a href="#">PDF</a>	<a href="#">PDF</a>	<a href="#">PDF</a>	<a href="#">PDF</a>	<a href="#">PDF</a>	<a href="#">PDF</a>	<a href="#">PDF</a>
<b>Valve Type</b>	3-port (3-way), 2-position			5-port (4-way), 2-position		5-port (4-way), 3-position, center closed	5-port (4-way), 3-position, center exhaust	5-port (4-way), 3-position, center pressure
<b>Valve Configuration</b>	N/A	N.C.	N.O.	N/A				
<b>Operator</b>	Solenoid							
<b>Acting</b>	Double solenoid	Single solenoid, spring return			Double solenoid			
<b>Inlet Port Size</b>	1/2" FNPT							
<b>Outlet Port Size</b>	1/2" FNPT							
<b>Flow (Cv)</b>	4.6							
<b>Media</b>	Filtered air without lubrication; lubrication, if used, must be continuous							
<b>Pressure Range</b>	14.5 to 145 psi	36.3 to 145 psi			14.5 to 145 psi	36.3 to 145 psi		
<b>Temperature</b>	14°F to 140°F (-10°C to 60°C)							
<b>Lubrication</b>	ISO and UNI FD 22							
<b>Life Cycle</b>	50 million cycles							
Specifications When Used With Metal Work Coils (Sold Separately)								
<b>Voltage (± 10%)</b>	12; 24 VDC - 24; 110; 220V AC 50/60Hz							
<b>Power Consumption</b>	DC Coils: 2W ; AC Coils: 3.5 VA							
<b>Insulation</b>	Class F							
<b>Actuation Response Time (TRA) / Reset Response Time (TRR) at 87 psi</b>	25/25 ms	36/100 ms			25/25 ms	36/100 ms		
<b>Protection</b>	IP 65 with connector							
<b>Connection</b>	11mm DIN style wiring plug							
<b>Agency Approvals*</b>	Coils have CE mark							

\* To obtain the most current agency approval information, see the Agency Approval Checklist section on the specific part number's web page. For additional details see manufacturer's technical specifications, manuals and inserts (where applicable).



# Series 70 - External Pilot Solenoid Valves

Metal Work Series 70 external pilot solenoid valves are an excellent choice for applications outside the pressure range for standard solenoid valves, such as vacuum applications.



Part No. 70300200500U

## Features

- 3-port (3-way), 2-position configurations
- Coils purchased separately
- 1/8", 1/4", 3/8" and 1/2" NPT



See [www.AutomationDirect.com](http://www.AutomationDirect.com) for a wide variety of fitting options

Metal Work Series 70 - External Pilot Solenoid Valves				
Model	7010020500U	7020020500U	7040020500U	7030020500U
Price	\$50.00	\$58.00	\$69.00	\$131.00
Drawing Link	<a href="#">PDF</a>	<a href="#">PDF</a>	<a href="#">PDF</a>	<a href="#">PDF</a>
Weight (lb)	0.24	0.35	0.58	1.51
Manufacturer Specs	<a href="#">PDF</a>	<a href="#">PDF</a>	<a href="#">PDF</a>	<a href="#">PDF</a>
Valve Type	3-port (3-way), 2-position			
Valve Configuration	N.C.			
Operator	Solenoid			
Acting	Single solenoid, spring return			
Inlet Port Size	1/8" FNPT	1/4" FNPT	3/8" FNPT	1/2" FNPT
Outlet Port Size	1/8" FNPT	1/4" FNPT	3/8" FNPT	1/2" FNPT
Pilot Port Size	#10-32 F UNF	1/8" FNPT	1/8" FNPT	1/8" FNPT
Flow (Cv)	0.55	1.1	2.1	4.6
Media	Filtered air without lubrication; lubrication, if used, must be continuous			
Pressure Range	Operating: Vacuum to 145 psi; Min Pilot: 36.3 psi			
Temperature	14°F to 140°F (-10°C to 60°C)			
Lubrication	ISO and UNI FD 22			
Life Cycle	50 million cycles			
Specifications When Used With Metal Work Coils (Sold Separately)				
Voltage (± 10%)	12; 24 VDC - 24; 110; 220V AC 50/60Hz			
Power Consumption	DC Coils: 2W ; AC Coils: 3.5 VA			
Insulation	Class F			
Actuation Response Time (TRA) / Reset Response Time (TRR) at 87 psi	15/35 ms			
Protection	IP 65 with connector			
Connection	11mm DIN style wiring plug			
Agency Approvals*	Coils have CE mark			

\* To obtain the most current agency approval information, see the Agency Approval Checklist section on the specific part number's web page.

For additional details see manufacturer's technical specifications, manuals and inserts (where applicable).



# Series 70 - Compact Valve Manifolds

Metal Work series 70 compact valve manifolds are a space-saving choice when using several Series 70 air pilot or solenoid valves.



Part No. 0221000200U



Part No. 0221000700U

## Features

- 2 to 7-station manifolds
- Fit 1/8" or 1/4" NPT valves
- 3 heights of mounting bracket sold separately
- Work with all Series 70 valves



See [www.AutomationDirect.com](http://www.AutomationDirect.com) for a wide variety of fitting options

## Metal Work Series 70 - Compact Valve Manifolds

Part No.	Description	Drawing Link	Price	Weight (lb)	Manufacturer Specs
<a href="#">0221000200U</a>	Metal Work air compact valve manifold, aluminum, 145 psi (10 bar) maximum operating pressure, (2) stations, 1/4in female NPT inlet(s). For use with 1/8in NPT Series 70 valves.	<a href="#">PDF</a>	\$12.00	0.16	<a href="#">PDF</a>
<a href="#">0221000300U</a>	Metal Work air compact valve manifold, aluminum, 145 psi (10 bar) maximum operating pressure, (3) stations, 1/4in female NPT inlet(s). For use with 1/8in NPT Series 70 valves.	<a href="#">PDF</a>	\$13.00	0.22	<a href="#">PDF</a>
<a href="#">0221000400U</a>	Metal Work air compact valve manifold, aluminum, 145 psi (10 bar) maximum operating pressure, (4) stations, 1/4in female NPT inlet(s). For use with 1/8in NPT Series 70 valves.	<a href="#">PDF</a>	\$16.00	0.29	<a href="#">PDF</a>
<a href="#">0221000500U</a>	Metal Work air compact valve manifold, aluminum, 145 psi (10 bar) maximum operating pressure, (5) stations, 1/4in female NPT inlet(s). For use with 1/8in NPT Series 70 valves.	<a href="#">PDF</a>	\$25.00	0.36	<a href="#">PDF</a>
<a href="#">0221000600U</a>	Metal Work air compact valve manifold, aluminum, 145 psi (10 bar) maximum operating pressure, (6) stations, 1/4in female NPT inlet(s). For use with 1/8in NPT Series 70 valves.	<a href="#">PDF</a>	\$31.50	0.43	<a href="#">PDF</a>
<a href="#">0221000700U</a>	Metal Work air compact valve manifold, aluminum, 145 psi (10 bar) maximum operating pressure, (7) stations, 1/4in female NPT inlet(s). For use with 1/8in NPT Series 70 valves.	<a href="#">PDF</a>	\$39.00	0.5	<a href="#">PDF</a>
<a href="#">0222000200U</a>	Metal Work air compact valve manifold, aluminum, 145 psi (10 bar) maximum operating pressure, (2) stations, 3/8in female NPT inlet(s). For use with 1/4in NPT Series 70 valves.	<a href="#">PDF</a>	\$13.00	0.2	<a href="#">PDF</a>
<a href="#">0222000300U</a>	Metal Work air compact valve manifold, aluminum, 145 psi (10 bar) maximum operating pressure, (3) stations, 3/8in female NPT inlet(s). For use with 1/4in NPT Series 70 valves.	<a href="#">PDF</a>	\$18.00	0.29	<a href="#">PDF</a>
<a href="#">0222000400U</a>	Metal Work air compact valve manifold, aluminum, 145 psi (10 bar) maximum operating pressure, (4) stations, 3/8in female NPT inlet(s). For use with 1/4in NPT Series 70 valves.	<a href="#">PDF</a>	\$21.50	0.38	<a href="#">PDF</a>
<a href="#">0222000500U</a>	Metal Work air compact valve manifold, aluminum, 145 psi (10 bar) maximum operating pressure, (5) stations, 3/8in female NPT inlet(s). For use with 1/4in NPT Series 70 valves.	<a href="#">PDF</a>	\$27.00	0.47	<a href="#">PDF</a>
<a href="#">0222000600U</a>	Metal Work air compact valve manifold, aluminum, 145 psi (10 bar) maximum operating pressure, (6) stations, 3/8in female NPT inlet(s). For use with 1/4in NPT Series 70 valves.	<a href="#">PDF</a>	\$32.50	0.56	<a href="#">PDF</a>
<a href="#">0222000700U</a>	Metal Work air compact valve manifold, aluminum, 145 psi (10 bar) maximum operating pressure, (7) stations, 3/8in female NPT inlet(s). For use with 1/4in NPT Series 70 valves.	<a href="#">PDF</a>	\$31.50	0.66	<a href="#">PDF</a>

For additional details see manufacturer's technical specifications, manuals and inserts (where applicable).





# Series 70 - Compact Valve Manifold Accessories

Metal Work series 70 compact valve manifold accessories; for use on Series 70 air pilot or solenoid valves.



Part No. 0221000191U



Part No. 0222000191U

## Features

- Fit 1/8" or 1/4" NPT valves
- 3 heights of mounting bracket sold separately



See [www.AutomationDirect.com](http://www.AutomationDirect.com) for a wide variety of fitting options

## Metal Work Series 70 - Compact Valve Manifold Accessories

Part No.	Description	Drawing Link	Price	Weight (lb)	Manufacturer Specs
<a href="#">0221000190U</a>	Metal Work bracket, 120mm. For use with Series 70 1/8in compact manifolds.	<a href="#">PDF</a>	\$15.00	0.68	<a href="#">PDF</a>
<a href="#">0221000191U</a>	Metal Work bracket, 60mm. For use with Series 70 1/8in compact manifolds.	<a href="#">PDF</a>	\$11.50	0.49	<a href="#">PDF</a>
<a href="#">0221000192U</a>	Metal Work bracket, 30mm. For use with Series 70 1/8in compact manifolds.	<a href="#">PDF</a>	\$11.00	0.42	<a href="#">PDF</a>
<a href="#">0222000190U</a>	Metal Work bracket, 120mm. For use with Series 70 1/4in compact manifolds.	<a href="#">PDF</a>	\$12.50	0.75	<a href="#">PDF</a>
<a href="#">0222000191U</a>	Metal Work bracket, 60mm. For use with Series 70 1/4in compact manifolds.	<a href="#">PDF</a>	\$14.50	0.55	<a href="#">PDF</a>
<a href="#">0222000192U</a>	Metal Work bracket, 30mm. For use with Series 70 1/4in compact manifolds.	<a href="#">PDF</a>	\$11.50	0.48	<a href="#">PDF</a>

For additional details see manufacturer's technical specifications, manuals and inserts (where applicable).



# Series 70 - Valve Manifolds

Metal Work Series 70 valve manifolds are an excellent choice for installing several Series 70 air pilot or solenoid valves in a pneumatic system.

## Features

- 2 to 10 station manifolds
- Fit 1/8" or 1/4" NPT valves
- 3-port and 5-port valves can be mixed on the same manifold
- Blanking plates for future expansion



Part No. 0223000201U



Part No. 0223000701U



Part No. 0223001001U



See [www.AutomationDirect.com](http://www.AutomationDirect.com) for a wide variety of fitting options

Metal Work Series 70 - Valve Manifolds					
Part No.	Description	Drawing Link	Price	Weight (lb)	Manufacturer Specs
<a href="#">0223000201U</a>	Metal Work air valve manifold, aluminum, 145 psi (10 bar) maximum operating pressure, (2) stations, 1/4in female NPT inlet(s), 1/4in female NPT exhaust(s). For use with 1/8in NPT Series 70 valves.	<a href="#">PDF</a>	\$39.00	0.51	<a href="#">PDF</a>
<a href="#">0223000301U</a>	Metal Work air valve manifold, aluminum, 145 psi (10 bar) maximum operating pressure, (3) stations, 1/4in female NPT inlet(s), 1/4in female NPT exhaust(s). For use with 1/8in NPT Series 70 valves.	<a href="#">PDF</a>	\$47.50	0.71	<a href="#">PDF</a>
<a href="#">0223000401U</a>	Metal Work air valve manifold, aluminum, 145 psi (10 bar) maximum operating pressure, (4) stations, 1/4in female NPT inlet(s), 1/4in female NPT exhaust(s). For use with 1/8in NPT Series 70 valves.	<a href="#">PDF</a>	\$56.00	0.89	<a href="#">PDF</a>
<a href="#">0223000501U</a>	Metal Work air valve manifold, aluminum, 145 psi (10 bar) maximum operating pressure, (5) stations, 1/4in female NPT inlet(s), 1/4in female NPT exhaust(s). For use with 1/8in NPT Series 70 valves.	<a href="#">PDF</a>	\$64.00	1.08	<a href="#">PDF</a>
<a href="#">0223000601U</a>	Metal Work air valve manifold, aluminum, 145 psi (10 bar) maximum operating pressure, (6) stations, 1/4in female NPT inlet(s), 1/4in female NPT exhaust(s). For use with 1/8in NPT Series 70 valves.	<a href="#">PDF</a>	\$77.00	1.35	<a href="#">PDF</a>
<a href="#">0223000701U</a>	Metal Work air valve manifold, aluminum, 145 psi (10 bar) maximum operating pressure, (7) stations, 1/4in female NPT inlet(s), 1/4in female NPT exhaust(s). For use with 1/8in NPT Series 70 valves.	<a href="#">PDF</a>	\$85.00	1.46	<a href="#">PDF</a>
<a href="#">0223000801U</a>	Metal Work air valve manifold, aluminum, 145 psi (10 bar) maximum operating pressure, (8) stations, 1/4in female NPT inlet(s), 1/4in female NPT exhaust(s). For use with 1/8in NPT Series 70 valves.	<a href="#">PDF</a>	\$96.00	1.64	<a href="#">PDF</a>
<a href="#">0223000901U</a>	Metal Work air valve manifold, aluminum, 145 psi (10 bar) maximum operating pressure, (9) stations, 1/4in female NPT inlet(s), 1/4in female NPT exhaust(s). For use with 1/8in NPT Series 70 valves.	<a href="#">PDF</a>	\$104.00	1.83	<a href="#">PDF</a>
<a href="#">0223001001U</a>	Metal Work air valve manifold, aluminum, 145 psi (10 bar) maximum operating pressure, (10) stations, 1/4in female NPT inlet(s), 1/4in female NPT exhaust(s). For use with 1/8in NPT Series 70 valves.	<a href="#">PDF</a>	\$130.00	2.02	<a href="#">PDF</a>
<a href="#">0224000201U</a>	Metal Work air valve manifold, aluminum, 145 psi (10 bar) maximum operating pressure, (2) stations, 3/8in female NPT inlet(s), 3/8in female NPT exhaust(s). For use with 1/4in NPT Series 70 valves.	<a href="#">PDF</a>	\$43.50	0.65	<a href="#">PDF</a>
<a href="#">0224000301U</a>	Metal Work air valve manifold, aluminum, 145 psi (10 bar) maximum operating pressure, (3) stations, 3/8in female NPT inlet(s), 3/8in female NPT exhaust(s). For use with 1/4in NPT Series 70 valves.	<a href="#">PDF</a>	\$53.00	0.88	<a href="#">PDF</a>
<a href="#">0224000401U</a>	Metal Work air valve manifold, aluminum, 145 psi (10 bar) maximum operating pressure, (4) stations, 3/8in female NPT inlet(s), 3/8in female NPT exhaust(s). For use with 1/4in NPT Series 70 valves.	<a href="#">PDF</a>	\$63.00	1.11	<a href="#">PDF</a>
<a href="#">0224000501U</a>	Metal Work air valve manifold, aluminum, 145 psi (10 bar) maximum operating pressure, (5) stations, 3/8in female NPT inlet(s), 3/8in female NPT exhaust(s). For use with 1/4in NPT Series 70 valves.	<a href="#">PDF</a>	\$76.00	1.34	<a href="#">PDF</a>
<a href="#">0224000601U</a>	Metal Work air valve manifold, aluminum, 145 psi (10 bar) maximum operating pressure, (6) stations, 3/8in female NPT inlet(s), 3/8in female NPT exhaust(s). For use with 1/4in NPT Series 70 valves.	<a href="#">PDF</a>	\$86.00	1.57	<a href="#">PDF</a>

For additional details see manufacturer's technical specifications, manuals and inserts (where applicable).



# Series 70 - Valve Manifolds

Metal Work Series 70 - Valve Manifolds					
Part No.	Description	Drawing Link	Price	Weight (lb)	Manufacturer Specs
<a href="#"><u>0224000701U</u></a>	Metal Work air valve manifold, aluminum, 145 psi (10 bar) maximum operating pressure, (7) stations, 3/8in female NPT inlet(s), 3/8in female NPT exhaust(s). For use with 1/4in NPT Series 70 valves.	<a href="#"><u>PDF</u></a>	\$99.00	1.81	<a href="#"><u>PDF</u></a>
<a href="#"><u>0224000801U</u></a>	Metal Work air valve manifold, aluminum, 145 psi (10 bar) maximum operating pressure, (8) stations, 3/8in female NPT inlet(s), 3/8in female NPT exhaust(s). For use with 1/4in NPT Series 70 valves.	<a href="#"><u>PDF</u></a>	\$116.00	2.01	<a href="#"><u>PDF</u></a>
<a href="#"><u>0224000901U</u></a>	Metal Work air valve manifold, aluminum, 145 psi (10 bar) maximum operating pressure, (9) stations, 3/8in female NPT inlet(s), 3/8in female NPT exhaust(s). For use with 1/4in NPT Series 70 valves.	<a href="#"><u>PDF</u></a>	\$141.00	2.27	<a href="#"><u>PDF</u></a>
<a href="#"><u>0224001001U</u></a>	Metal Work air valve manifold, aluminum, 145 psi (10 bar) maximum operating pressure, (10) stations, 3/8in female NPT inlet(s), 3/8in female NPT exhaust(s). For use with 1/4in NPT Series 70 valves.	<a href="#"><u>PDF</u></a>	\$176.00	2.5	<a href="#"><u>PDF</u></a>

For additional details see manufacturer's technical specifications, manuals and inserts (where applicable).



# Series 70 - Valve Manifold Accessories



Part No. 0226004001



Part No. 0226004500



Part No. 0226004600



Part No. 0226004701



See [www.AutomationDirect.com](http://www.AutomationDirect.com) for a wide variety of fitting options

Metal Work Series 70 - Valve Accessories					
Part No.	Description	Drawing Link	Price	Weight (lb)	Manufacturer Specs
<a href="#">0226004001</a>	Metal Work manifold port plug, for use with Series 70 1/8in manifolds.	<a href="#">PDF</a>	\$1.00	0.01	<a href="#">PDF</a>
<a href="#">0226004500</a>	Metal Work blanking plate, for use with Series 70 1/8in manifolds. Mounting hardware included.	<a href="#">PDF</a>	\$2.50	0.05	<a href="#">PDF</a>
<a href="#">0226004600</a>	Metal Work DIN rail adapter, for use with Series 70 1/8in manifolds.	<a href="#">PDF</a>	\$2.50	0.08	<a href="#">PDF</a>
<a href="#">0226004701</a>	Metal Work gasket kit, for use with Series 70 1/8in manifolds, includes (3) o-rings and (3) screws.	<a href="#">PDF</a>	\$1.50	0.02	<a href="#">PDF</a>
<a href="#">0226005001</a>	Metal Work manifold port plug, for use with Series 70 1/4in manifolds.	<a href="#">PDF</a>	\$1.00	0.02	<a href="#">PDF</a>
<a href="#">0226005500</a>	Metal Work blanking plate, for use with Series 70 1/4in manifolds. Mounting hardware included.	<a href="#">PDF</a>	\$2.75	0.06	<a href="#">PDF</a>
<a href="#">0226005600</a>	Metal Work DIN rail adapter, for use with Series 70 1/4in manifolds.	<a href="#">PDF</a>	\$3.00	0.08	<a href="#">PDF</a>
<a href="#">0226005701</a>	Metal Work gasket kit, for use with Series 70 1/4in manifolds, includes (3) o-rings and (3) screws.	<a href="#">PDF</a>	\$1.50	0.02	<a href="#">PDF</a>