

30mm Pushbutton NEMA 4, 12, and 13 Wall-Mount



Applications

Designed to hold all standard 30mm [1.18 in] brands of pushbuttons, switches and pilot lights. Provides protection from dirt, dust, oil and water.

Construction

- Bodies and doors fabricated from 14-gauge steel
- Closed-cell oil-resistant neoprene gasket
- Continuously-welded seams ground smooth
- External mounting feet, top and bottom of enclosure
- Captivated cover screws thread into sealed wells
- Standard "4-way" pushbutton holes accept all brands of oil-tight pushbuttons, switches and pilot lights
- Enclosures 9.50 x 6.25 x 3.09in [241 x 159 x 78mm] and larger have internal detachable hinges to hold cover open during wiring, yet permit quick removal
- Grounding provisions provided

Finish

- ANSI 61 gray polyester powder inside and out over phosphatized surfaces

Listings

- UL 508, 4, 12, and 13 [UL File E64791]
- NEMA/EEMAC 4, 12, and 13
- PB16(BC) and PB25(BC) meet NEMA 12 only



Shipping Schedule

Same day 1 - 5 days 1 - 7 days 1 - 15 days 1 - 20 days

Color indicates shipping lead time in business days.

30mm Pushbutton NEMA 4, 12, and 13 Wall-Mount

Pushbutton Enclosure	Price	With Blank Cover	Price	# Holes	Enclosure Size HxWxD
PB1	\$76.00	PB1BC	\$76.00	1	3.76 x 3.56 x 3.14 [96 x 90 x 80]
PB2	\$87.00	PB2BC	\$89.00	2	6.01 x 3.56 x 3.10 [153 x 90 x 79]
PB3	\$97.00	PB3BC	\$100.00	3	8.26 x 3.56 x 3.10 [210 x 90 x 79]
PB4	\$110.00	PB4BC	\$110.00	4	10.51 x 3.56 x 3.10 [267 x 90 x 79]
PB4S	\$124.00	PB4SBC	\$107.00	4	7.51 x 6.56 x 3.38 [191 x 167 x 86]
PB5	\$120.00	PB5BC	\$120.00	5	12.76 x 3.56 x 3.10 [324 x 90 x 79]
PB6	\$149.00	PB6BC	\$141.00	6	9.76 x 6.56 x 3.38 [248 x 167 x 86]
PB6VL	\$134.00	PB6VLBC	\$133.00	6	15.01 x 3.56 x 3.10 [381 x 90 x 79]
PB8	\$161.00	PB8BC	\$157.00	8	20.51 x 3.56 x 3.10 [521 x 90 x 79]
PB9	\$165.00	PB9BC	\$146.00	9	9.76 x 8.81 x 3.38 [248 x 224 x 86]
PB10	\$183.00	PB10BC	\$170.00	10	25.01 x 3.56 x 3.14 [635 x 90 x 80]
PB12	\$186.00	PB12BC	\$186.00	12	12.01 x 8.81 x 3.38 [305 x 224 x 86]
PB16	\$213.00	PB16BC	\$209.00	16	12.01 x 11.06 x 3.38 [305 x 281 x 86]
PB25	\$263.00	PB25BC	\$263.00	25	14.26 x 13.31 x 3.38 [362 x 338 x 86]

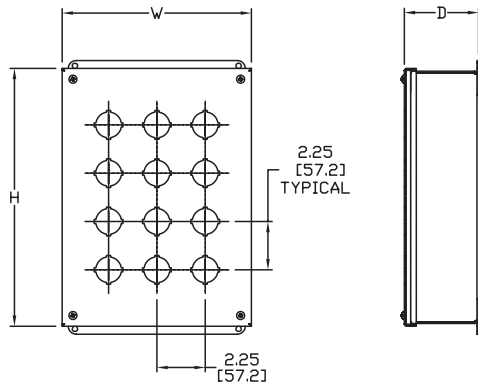
Notes: Dimensions in inches [millimeters]. Letters in table correspond to letters on dimensional drawings. Letters in table correspond to letters on dimensional drawings.

*Only meets N12.

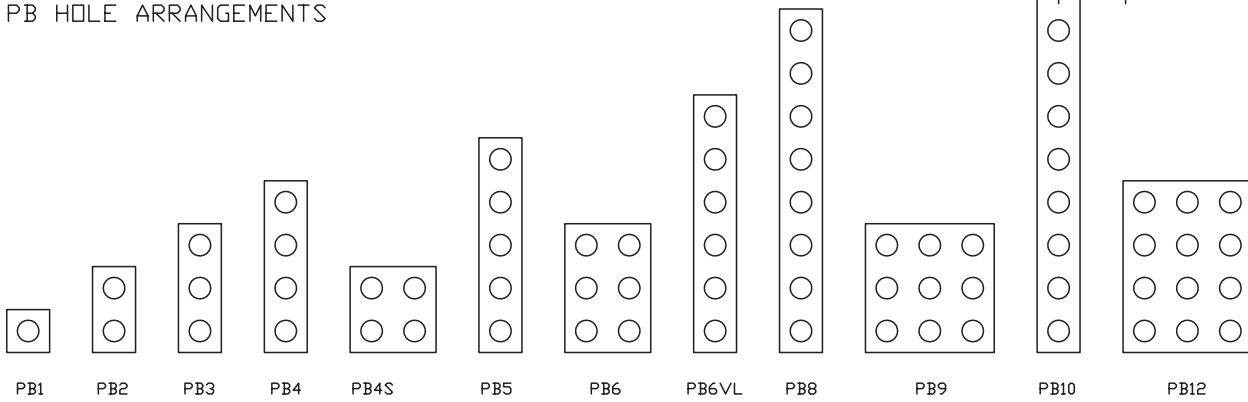
30mm Pushbutton NEMA 4, 12, and 13 Wall-Mount



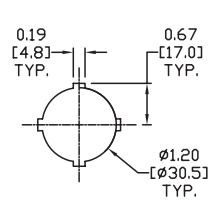
Dimensions



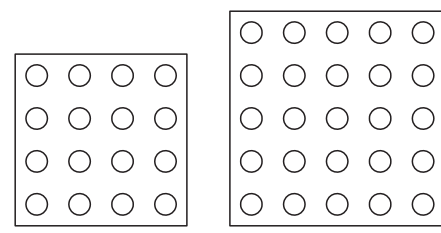
PB HOLE ARRANGEMENTS



PB1 PB2 PB3 PB4 PB4S PB5 PB6 PB6VL PB8 PB9 PB10 PB12



STANDARD 4-WAY
PUSHBUTTON



PB16 PB25

22mm Pushbutton NEMA 4, 4X, 12, and 13 Stainless Steel Wall-Mount



PBGX2SS

Applications

Designed to hold all standard 22mm brands of miniature oil-tight pushbuttons, switches and pilot lights. Provide protection from dirt, dust, oil and water.

Construction

- Fabricated from 304 or 316 stainless steel
- Closed-cell oil-resistant neoprene gasket
- Continuously-welded seams ground smooth
- External mounting feet, top and bottom of enclosure
- Captivated cover screws thread into sealed wells
- Standard "4-way" miniature pushbutton holes accept all brands of oil-tight pushbuttons, switches and pilot lights
- Enclosures with 6 or more holes have internal detachable hinges to hold cover open during wiring, yet permit quick removal
- Grounding provisions provided

Finish

- Smooth-grained finish

Listings

- UL 508A, Type 4, 4X, 12, 13 [File E64791]
- NEMA Type 4, 4X, 12, and 13
- cULus Certified Type 4, 4X, 12, and 13
- IEC 60529, IP66



Shipping Schedule

Same day | 1 - 5 days | 1 - 7 days | 1 - 15 days | 1 - 20 days

Color indicates shipping lead time in business days.

22mm Pushbutton NEMA 4, 4X, 12, and 13 Wall-Mount

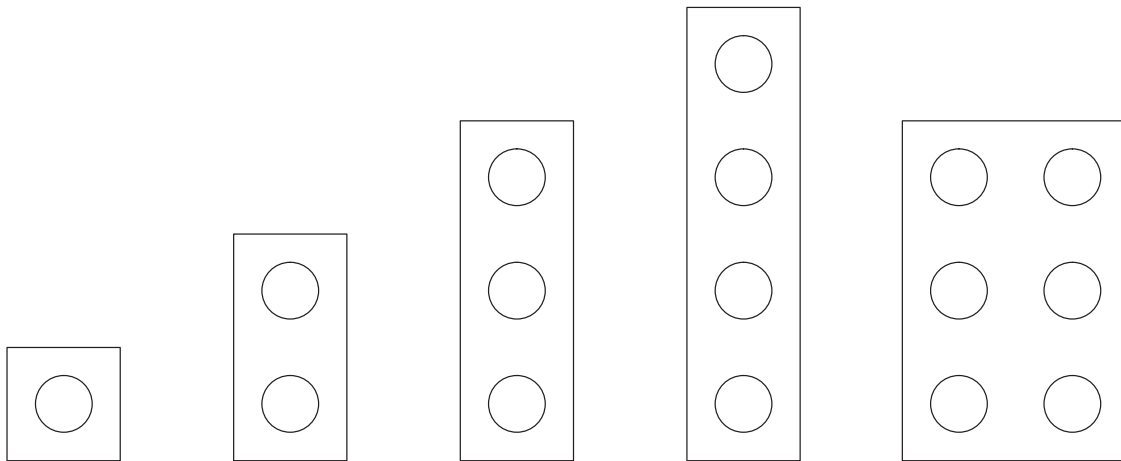
304 Stainless Steel	Price	316 Stainless Steel	Price	# Holes	Size HxWxD	Drawing Link
PBGX1SS	\$272.00	PBGX1SSA	\$544.00	1	3.56 x 3.06 x 3.83 [90 x 78 x 97]	PDF
PBGX2SS	\$309.00	PBGX2SSA	\$618.00	2	5.44 x 3.06 x 3.83 [138 x 78 x 97]	PDF
PBGX3SS	\$349.00	PBGX3SSA	\$698.00	3	7.31 x 3.06 x 3.83 [186 x 78 x 97]	PDF
PBGX4SS	\$462.00	PBGX4SSA	\$924.00	4	9.19 x 3.06 x 3.83 [233 x 78 x 97]	PDF
PBGX6SS	\$582.00	PBGX6SSA	\$1,164.00	6	8.81 x 5.31 x 4.58 [224 x 135 x 116]	PDF

Note: Dimensions in inches [millimeters].

22mm Pushbutton NEMA 4, 4X, 12, and 13 Stainless Steel Wall-Mount



Dimensions



PBGX1SS

PBGX2SS

PBGX3SS

PBGX4SS

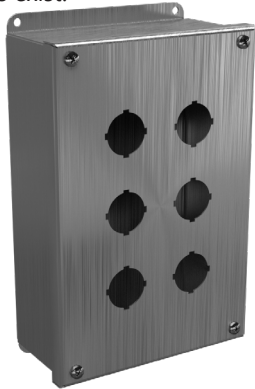
PBGX6SS

30mm Pushbutton NEMA 4, 4X, 12, and 13 Stainless Steel Wall-Mount



Application

Designed to hold standard 30mm [1.18 in] pushbuttons, switches, and pilot lights. Provides protection from dirt, dust, oil and water. Also used in areas where serious corrosion problems exist.



Construction

- Fabricated from 14-gauge 304 stainless steel
- Continuously-welded seams ground smooth
- Cover secured by stainless steel captive screws threaded into sealed wells
- Closed-cell oil-resistant neoprene gasket
- Standard "4-way" pushbutton holes accept all brands of oil-tight pushbuttons, switches, and pilot lights
- External mounting plate on top and bottom of enclosure
- Grounding provisions provided
- PBSS Enclosures with 6 or more holes have internal detachable hinges to hold cover open during service, yet permit quick removal

Finish

- Stainless steel cover and outside of enclosure have #3 intermediate polished finish

Listings

- UL 508, 4, 4X, 12, and 13 [UL file E64791]



- NEMA/EEMAC 4, 4X, 12, and 13

Shipping Schedule

Same day 1 - 5 days 1 - 7 days 1-10 days 1 - 15 days 1 - 20 days

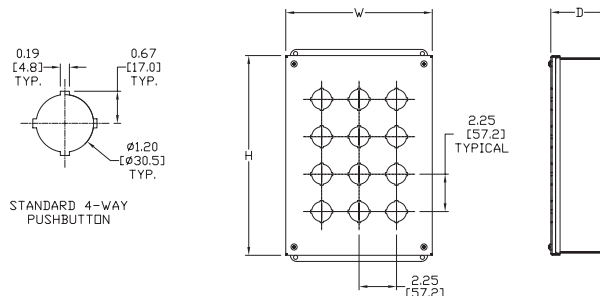
Color indicates shipping lead time in business days.

30mm Pushbutton NEMA 4, 4X, 12, and 13 Stainless Steel Wall-Mount

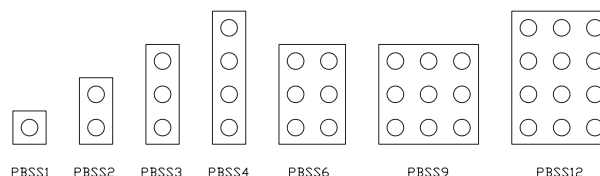
304 Stainless Steel	Price	316L Stainless Steel	Price	# Holes	Enclosure Size HxWxD
PBSS1	\$148.00	PBSS1A	\$188.00	1	3.75 x 3.56 x 3.01 [95 x 90 x 76]
PBSS2	\$175.00	PBSS2A	\$223.00	2	6.00 x 3.56 x 3.01 [152 x 90 x 76]
PBSS3	\$202.00	PBSS3A	\$257.00	3	8.25 x 3.56 x 3.01 [230 x 90 x 76]
PBSS4	\$236.00	PBSS4A	\$291.00	4	10.50 x 3.56 x 3.01 [267 x 90 x 76]
PBSS6	\$310.00	PBSS6A	\$385.00	6	9.75 x 6.56 x 3.29 [248 x 167 x 84]
PBSS9	\$369.00	PBSS9A	\$518.00	9	9.75 x 8.81 x 3.29 [248 x 224 x 84]
PBSS12	\$422.00	PBSS12A	\$593.00	12	12.00 x 8.81 x 3.29 [305 x 224 x 84]

Note: Dimensions in inches [millimeters].

Dimensions



PBSS HOLE ARRANGEMENTS



30mm Pushbutton NEMA 12 and 13 Slim Line Wall-Mount



Applications

Designed to hold all standard 30mm [1.18 in] brands of pushbuttons, switches and pilot lights. Provides protection from dirt, dust, oil and water. This slimline model is designed for conditions where enclosures must fit within very limited areas.

Finish

- ANSI 61 gray polyester powder inside and out over phosphatized surfaces

Listings

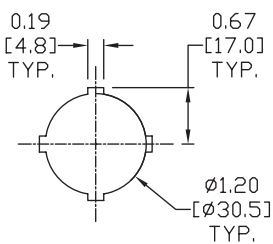
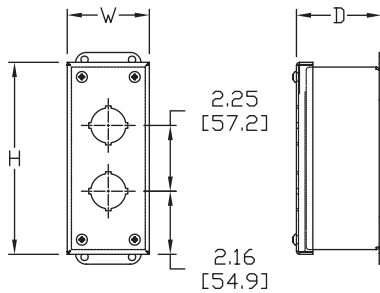
- UL 508 12 and 13 [UL File E64791]
- NEMA/EEMAC 12 and 13



Construction

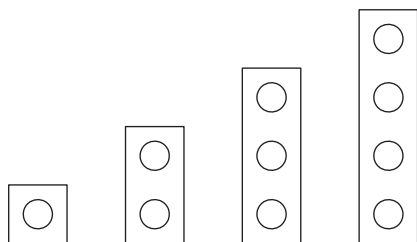
- Fabricated from 14-gauge steel
- Closed-cell oil-resistant neoprene gasket
- Continuously-welded seams ground smooth
- External mounting feet, top and bottom of enclosure
- Captivated cover screws thread into sealed wells
- Standard "4-way" pushbutton holes accept all brands of oil-tight pushbuttons, switches and pilot lights
- Grounding provisions provided

Dimensions



STANDARD 4-WAY
PUSHBUTTON

PB HOLE ARRANGEMENTS



PSL1 PSL2 PSL3 PSL4

Shipping Schedule

Same day	1 - 5 days	1 - 7 days	1 - 15 days	1 - 20 days
----------	------------	------------	-------------	-------------

Color indicates shipping lead time in business days.

30mm Pushbutton NEMA 12 and 13 Slim Line Wall-Mount

Part Number	Price	# Holes	Size HxWxD
PSL1	\$70.00	1	4.32 x 2.81 x 2.83 [110 x 71 x 72]
PSL2	\$78.00	2	6.57 x 2.81 x 2.83 [167 x 71 x 72]
PSL3	\$87.00	3	8.82 x 2.81 x 2.83 [224 x 71 x 72]
PSL4	\$97.00	4	11.07 x 2.81 x 2.83 [281 x 71 x 72]

Notes: Dimensions in inches [millimeters].

22mm Pushbutton NEMA 12 and 13 Wall-Mount



PBGX9

Applications

Designed to hold all standard 22mm [0.87 in] brands of miniature oil-tight pushbuttons, switches and pilot lights. Provide protection from dirt, dust, oil and water.

Construction

- Fabricated from 14-gauge steel,
- Closed-cell oil-resistant neoprene gasket
- Continuously-welded seams ground smooth
- External mounting feet, top and bottom of enclosure
- Captivated cover screws thread into sealed wells
- Standard "4-way" miniature pushbutton holes accept all brands of oil-tight pushbuttons, switches and pilot lights
- Enclosures with 6 or more holes have internal detachable hinges to hold cover open during wiring, yet permit quick removal
- Grounding provisions provided

Finish

- ANSI 61 gray polyester powder inside and out over phosphatized surfaces

Listings

- UL 508 12 and 13 [UL File E64791]
- NEMA/EEMAC 12 and 13



Shipping Schedule

Same day 1 - 5 days 1 - 7 days 1 - 15 days 1 - 20 days

Color indicates shipping lead time in business days.

22mm Pushbutton NEMA 12 and 13 Wall-Mount

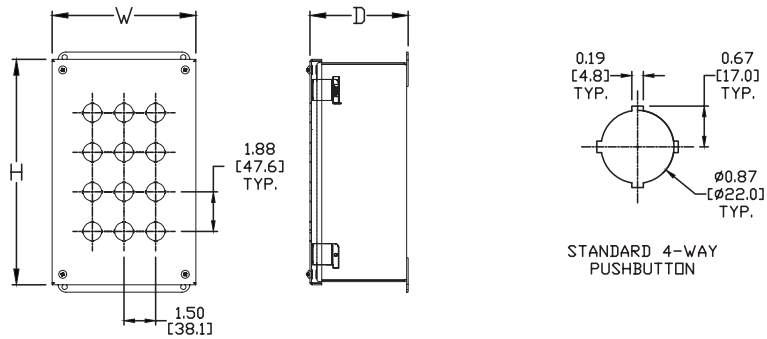
Carbon Steel	Price	# Holes	Size HxWxD	Drawing Link
PBGX1	\$81.00	1	3.56 x 3.06 x 3.83 [90 x 78 x 97]	PDF
PBGX2	\$84.00	2	5.44 x 3.06 x 3.83 [138 x 78 x 97]	PDF
PBGX3	\$101.00	3	7.31 x 3.06 x 3.83 [186 x 78 x 97]	PDF
PBGX4	\$111.00	4	9.19 x 3.06 x 3.83 [233 x 78 x 97]	PDF
PBGX6	\$141.00	6	8.81 x 5.31 x 4.58 [224 x 135 x 116]	PDF
PBGX9	\$189.00	9	8.81 x 6.81 x 4.58 [224 x 173 x 116]	PDF
PBGX12	\$175.00	12	10.69 x 6.81 x 4.58 [272 x 173 x 116]	PDF
PBGX20	\$193.00	20	12.56 x 8.31 x 4.58 [319 x 211 x 116]	PDF
PBGX25	\$209.00	25	12.56 x 9.81 x 4.58 [319 x 249 x 116]	PDF

Note: Dimensions in inches [millimeters].

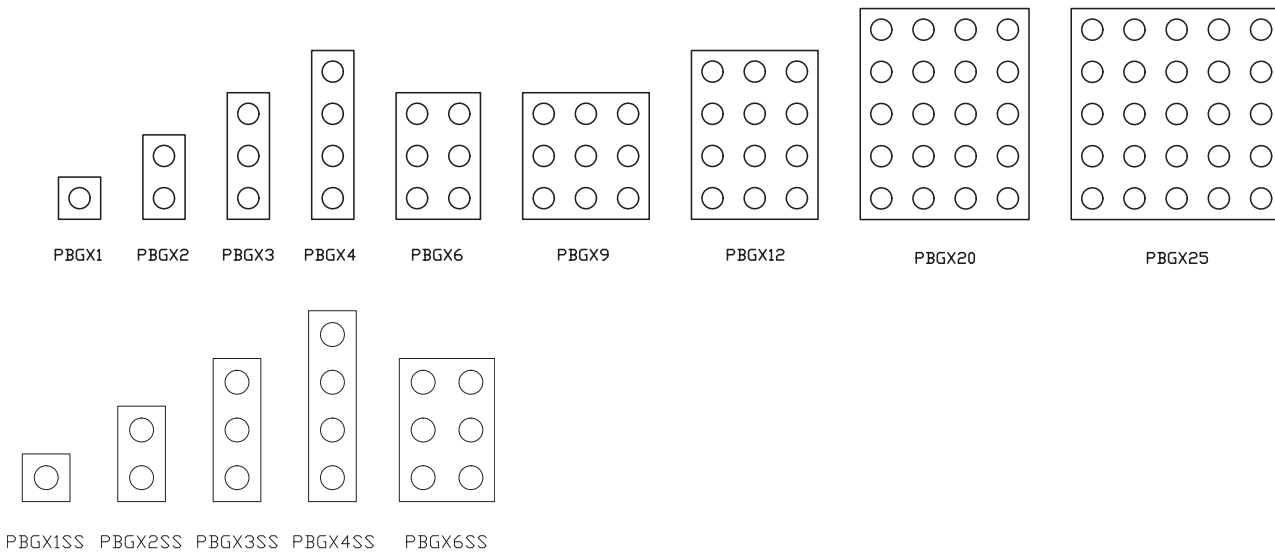
22mm Pushbutton NEMA 12 and 13 Wall-Mount



Dimensions



PBGX HOLE ARRANGEMENTS



30mm Pushbutton Extra-Deep Wall-Mount



Applications

Designed to hold 30mm [1.18 in] oil-tight pushbuttons, switches and pilot lights. Provides protection from dirt, dust, oil and water. Extra deep design accommodates additional contact blocks for pushbuttons.



Construction

- Bodies and doors fabricated from 14-gauge steel
- Closed-cell oil-resistant neoprene gasket
- Continuously-welded seams ground smooth
- External mounting feet, top and bottom of enclosure
- Captivated cover screws thread into sealed wells
- Standard "4-way" pushbutton holes accept all brands of oil-tight pushbuttons, switches and pilot lights
- Enclosures with 2 or more holes have internal detachable hinges to hold cover open during wiring, yet permit quick removal
- Grounding provisions provided

Finish

- Painted Steel: ANSI 61 gray polyester powder inside and out over phosphatized surfaces
- Stainless steel: #3 intermediate polished finish

Listings

- UL 508, 4, 12 and 13 (stainless steel enclosures also 4X) [UL File E64791]
- NEMA/EEMAC 4, 12 and 13 (stainless steel enclosures also 4X)



Shipping Schedule

Same day 1 - 5 days 1 - 7 days 1-10 days 1 - 15 days 1 - 20 days

Color indicates shipping lead time in business days.

30mm Pushbutton Extra-Deep Wall-Mount Painted Steel

Painted Steel	Price	Enclosure Size HxWxD	# Holes	Drawing Link
PBXD1	\$94.00	4.32 x 4.38 x 5.14 [110 x 111 x 131]	1	PDF
PBXD2	\$137.00	6.31 x 4.38 x 5.14 [160 x 111 x 131]	2	PDF
PBXD3	\$122.00	8.26 x 4.38 x 5.14 [210 x 111 x 131]	3	PDF
PBXD4S	\$138.00	7.57 x 6.63 x 5.14 [192 x 168 x 131]	4	PDF
PBXD4	\$147.00	10.31 x 4.38 x 5.14 [262 x 111 x 131]	4	PDF
PBXD6	\$158.00	9.82 x 6.63 x 5.14 [249 x 168 x 131]	6	PDF
PBXD9	\$181.00	9.82 x 8.88 x 5.14 [249 x 226 x 131]	9	PDF
PBXD10	\$197.00	14.32 x 6.63 x 5.14 [364 x 168 x 131]	10	PDF
PBXD12	\$207.00	12.07 x 8.88 x 5.14 [307 x 226 x 131]	12	PDF
PBXD16	\$232.00	12.07 x 11.13 x 5.14 [307 x 283 x 131]	16	PDF
PBXD16V	\$256.00	21.07 x 6.63 x 5.14 [535 x 168 x 131]	16	PDF
PBXD20	\$260.00	14.32 x 11.13 x 5.14 [364 x 283 x 131]	20	PDF
PBXD25	\$293.00	14.32 x 13.38 x 5.14 [364 x 340 x 131]	25	PDF

Note: Dimensions in inches [millimeters].

30mm Pushbutton Extra-Deep Wall-Mount Stainless Steel

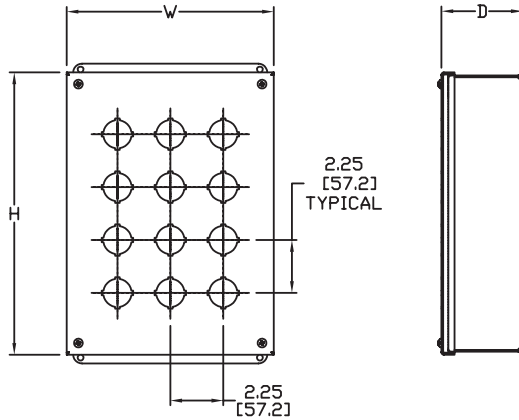
Stainless Steel	Price	Enclosure Size HxWxD	# Holes	Drawing Link
PBXD1SS	\$181.00	4.25 x 4.34 x 5.01 [108 x 110 x 127]	1	PDF
PBXD2SS	\$218.00	6.25 x 4.34 x 5.01 [159 x 110 x 127]	2	PDF
PBXD4SS	\$284.00	10.25 x 4.34 x 5.01 [260 x 110 x 127]	4	PDF
PBXD3SS	\$365.00	8.25 x 4.34 x 5.01 [210 x 110 x 127]	3	PDF
PBXD16SS	\$649.00	12.00 x 11.09 x 5.01 [305 x 282 x 127]	16	PDF

Note: Dimensions in inches [millimeters].

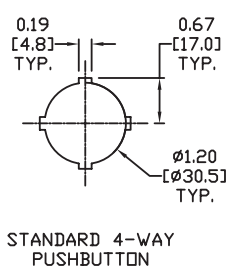
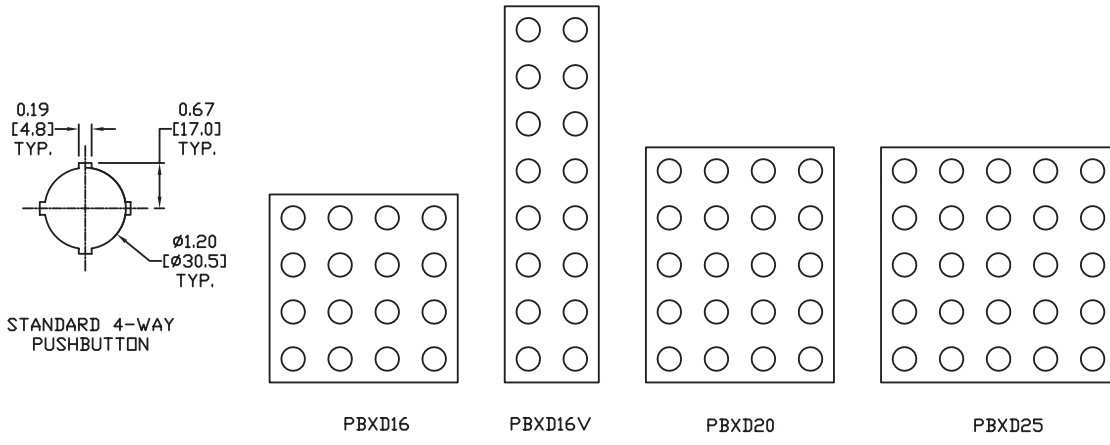
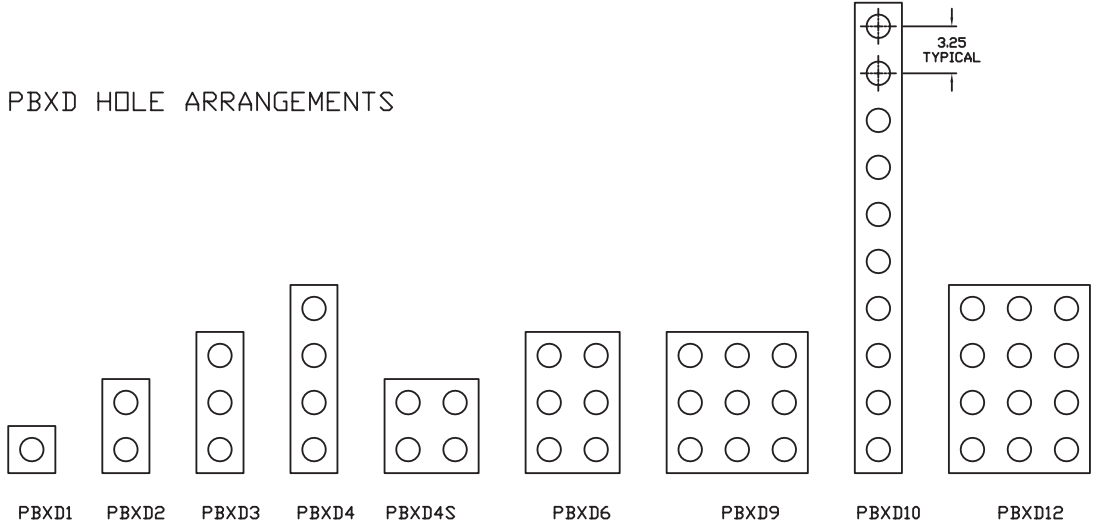
30mm Pushbutton Extra-Deep Wall-Mount



Dimensions



PBXD HOLE ARRANGEMENTS



30mm Pushbutton with 2.5 in Hole Spacing NEMA 12 and 13 Wall-Mount



Applications

Designed to hold 30mm [1.18 in] oil-tight pushbuttons, switches and pilot lights with extra size to allow 2.5 in [63.5 mm] between centers of pushbutton holes. Provides protection from dirt, dust, oil and water.

Construction

- Fabricated from 14-gauge steel
- Closed-cell oil-resistant neoprene gasket
- Continuously-welded seams ground smooth
- Cover held in place by continuous hinge
- Subpanel included with enclosure
- External mounting feet, top and bottom of enclosure
- Captivated cover screws thread into sealed wells
- Standard "4-way" pushbutton holes accept all brands of oil-tight pushbuttons, switches and pilot lights
- Grounding provisions provided

Finish

- ANSI 61 gray polyester powder inside and out over phosphatized surfaces
- Included subpanels are white polyester powder over phosphatized surfaces

Listings

- UL 508 12 and 13 [UL File E64791]
- NEMA/EEMAC 12 and 13



Shipping Schedule

Same day	1 - 5 days	1 - 7 days	1-10 days	1 - 15 days	1 - 20 days
----------	------------	------------	-----------	-------------	-------------

Color indicates shipping lead time in business days.

30mm Pushbutton with 2.5 in Hole Spacing NEMA 12 and 13 Wall-Mount

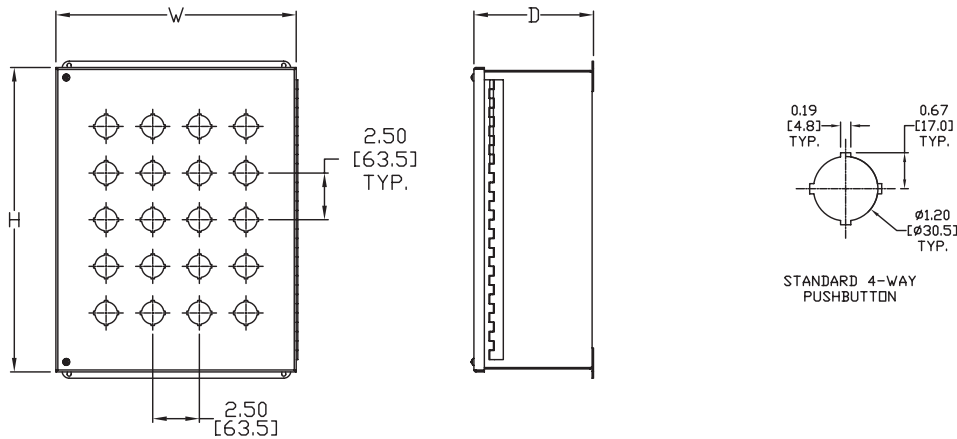
Part Number	Price	# Holes	Enclosure Size HxWxD
PBYX4S	\$174.00	4	8.82 x 7.88 x 6.33 [224 x 200 x 161]
PBYX6	\$205.00	6	11.32 x 7.88 x 6.33 [288 x 200 x 161]
PBYX9	\$239.00	9	11.32 x 10.38 x 6.33 [288 x 264 x 161]
PBYX12	\$270.00	12	13.82 x 10.38 x 6.33 [351 x 264 x 161]
PBYX16	\$309.00	16	13.82 x 12.88 x 6.33 [351 x 327 x 161]
PBYX20	\$346.00	20	16.32 x 12.88 x 6.33 [415 x 327 x 161]
PBYX25	\$389.00	25	16.32 x 15.38 x 6.33 [415 x 391 x 161]
PBYX30	\$424.00	30	18.82 x 15.38 x 6.33 [478 x 391 x 161]
PBYX36	\$479.00	36	18.82 x 17.88 x 6.33 [478 x 454 x 161]
PBYX42	\$525.00	42	21.32 x 17.88 x 6.33 [542 x 454 x 161]

Note: Dimensions in inches [millimeters].

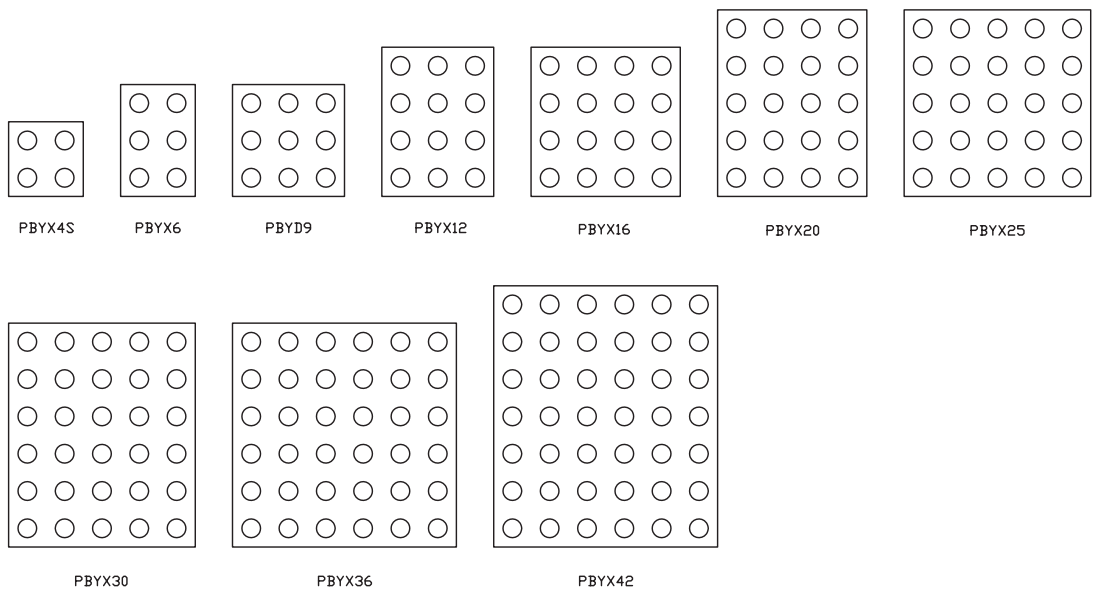
30mm Pushbutton with 2.5 in Hole Spacing NEMA 12 and 13 Wall-Mount



Dimensions



PBYX HOLE ARRANGEMENTS

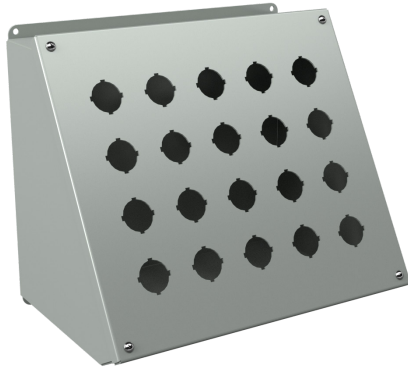


30mm Pushbutton NEMA 12 and 13 Operator Consolelet



Applications

Designed for use where slanted control surfaces are wanted. Enclosures may be mounted in a variety of ways to meet specific requirements. Receives standard 30mm [1.18 in] oil-tight pushbuttons, switches and pilot lights. Provides protection from dirt, dust, oil, and water.



Construction

- Fabricated from 14-gauge steel
- Closed-cell oil- resistant neoprene gasket
- Continuously-welded seams ground smooth
- External mounting feet, top and bottom of enclosure
- Captivated cover screws thread into sealed wells
- Standard "4-way" pushbutton holes accept all brands of oil-tight pushbuttons, switches and pilot lights
- Enclosures with 2 or more rows of holes have internal detachable hinges to hold cover open during wiring, yet permit quick removal
- Grounding provisions provided

Finish

- ANSI 61 gray polyester powder inside and out over phosphatized surfaces

Listings

- UL 508 12 and 13 [UL File E64791]
- NEMA/EEMAC 12 and 13



Shipping Schedule

Same day	1 - 5 days	1 - 7 days	1 - 15 days	1 - 20 days
----------	------------	------------	-------------	-------------

Color indicates shipping lead time in business days.

30mm Pushbutton NEMA 12 and 13 Operator Consolelet

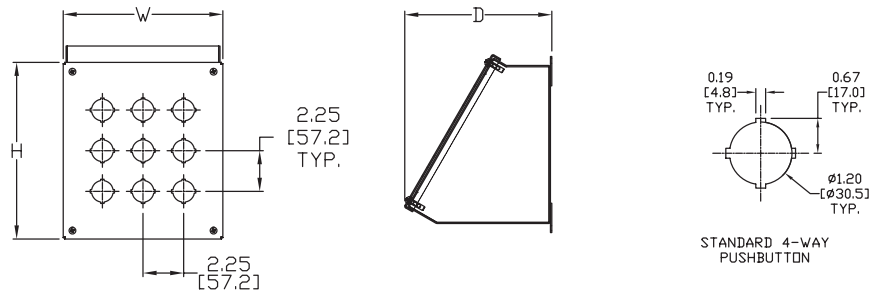
Part Number	Price	# Holes	Enclosure Size HxWxD
WPBA1	\$101.00	1	3.77 x 3.59 x 4.88 [96 x 91 x 124]
WPBA2	\$118.00	2	3.77 x 5.84 x 4.88 [96 x 148 x 124]
WPBA3	\$134.00	3	3.77 x 8.09 x 4.88 [96 x 205 x 124]
WPBA4	\$151.00	4	3.77 x 10.34 x 4.88 [96 x 263 x 124]
WPBA4S	\$169.00	4	7.52 x 6.59 x 6.76 [191 x 167 x 172]
WPBA6	\$196.00	6	7.52 x 8.84 x 6.76 [191 x 225 x 172]
WPBA8	\$222.00	8	7.52 x 11.09 x 6.76 [191 x 282 x 172]
WPBA9	\$232.00	9	9.77 x 8.84 x 7.88 [248 x 225 x 200]
WPBA10	\$246.00	10	7.52 x 13.34 x 6.76 [191 x 339 x 172]
WPBA12	\$269.00	12	7.52 x 15.59 x 6.76 [191 x 396 x 172]
WPBA12S	\$258.00	12	12.02 x 8.84 x 9.01 [305 x 225 x 229]
WPBA16	\$288.00	16	7.52 x 20.09 x 6.76 [191 x 510 x 172]
WPBA16S	\$333.00	16	12.02 x 11.09 x 9.01 [305 x 282 x 229]
WPBA20	\$332.00	20	12.02 x 13.34 x 9.01 [305 x 339 x 229]
WPBA25	\$378.00	25	14.27 x 13.34 x 10.13 [362 x 339 x 257]
WPBA30	\$412.00	30	14.27 x 15.59 x 10.13 [362 x 396 x 257]

Note: Dimensions in inches [millimeters].

30mm Pushbutton NEMA 12 and 13 Operator Consolelet



Dimensions



WPBA HOLE ARRANGEMENTS

