

W1C NEMA 12 and 13 Operator Consoles



Applications

Designed to house electrical and electronic controls and instruments. Pushbuttons, pilot lights, meters, switches, etc. can be mounted on sloping control surfaces. Interior components can be mounted on standard subpanel. Heavy-duty construction provides protection from dirt, dust, oil and water.

Construction

- Bodies and doors fabricated from 14-gauge steel
- Continuously-welded seams ground smooth, without knockouts, holes or cutouts
- 3-point keylocking handle is provided on front, main door
- Main door on console is raised
- Control panels are hinged along bottom edge
- Controls panels, access panels and instrument panels have captivated screws that thread into sealed wells
- Door stops provided to hold control panel open
- Closed-cell neoprene gasket
- Removable subpanel included with enclosure
- Grounding provisions provided
- Uses WAL2 series handles and WAL2KEY replacement key

Finish

- ANSI 61 gray polyester powder inside and out over phosphatized surfaces
- Included painted steel subpanel is white polyester powder over phosphatized surfaces

Listings

- UL 508 12 and 13 [UL File E64791]
- NEMA/EEMAC 12 and 13



Shipping Schedule

Same day 1 - 5 days 1 - 7 days 1-10 days 1 - 15 days 1 - 20 days

Color indicates shipping lead time in business days.

W1C NEMA 12 and 13 Operator Consoles

Console	Price	Console Size HxWxD	Subpanel Size
W1C24	\$1,955.00	40.41 x 24.00 x 21.03 [1026 x 610 x 534]	30.00 x 21.00 [762 x 533]
W1C30	\$2,259.00	40.41 x 30.00 x 21.03 [1026 x 762 x 534]	30.00 x 27.00 [762 x 686]
W1C36	\$2,548.00	40.41 x 36.00 x 21.03 [1026 x 914 x 534]	30.00 x 33.00 [762 x 838]
W1C42*	\$3,116.00	40.41 x 42.00 x 21.03 [1026 x 1067 x 534]	30.00 x 39.00 [762 x 991]
W1C48*	\$3,333.00	40.41 x 48.00 x 21.03 [1026 x 1219 x 534]	30.00 x 45.00 [762 x 1143]

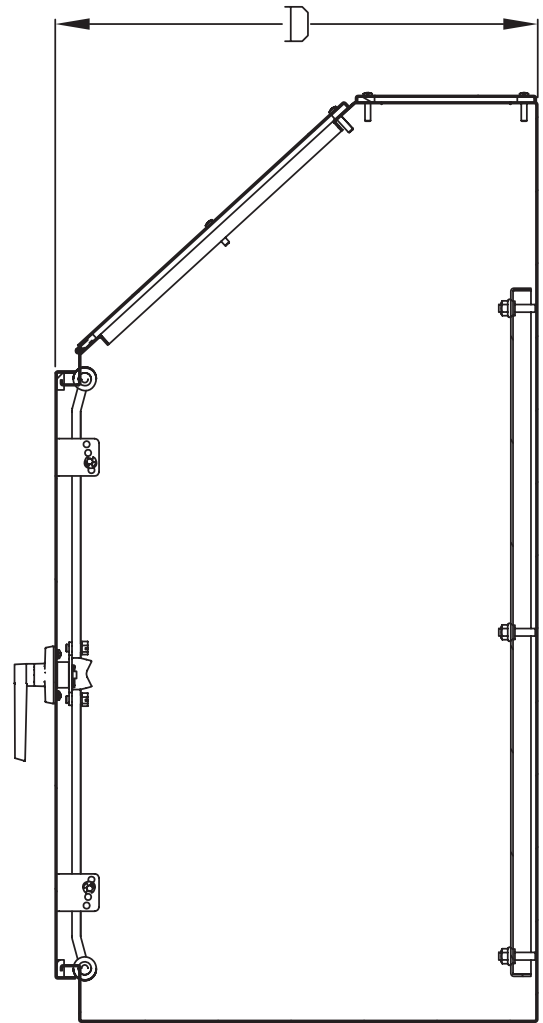
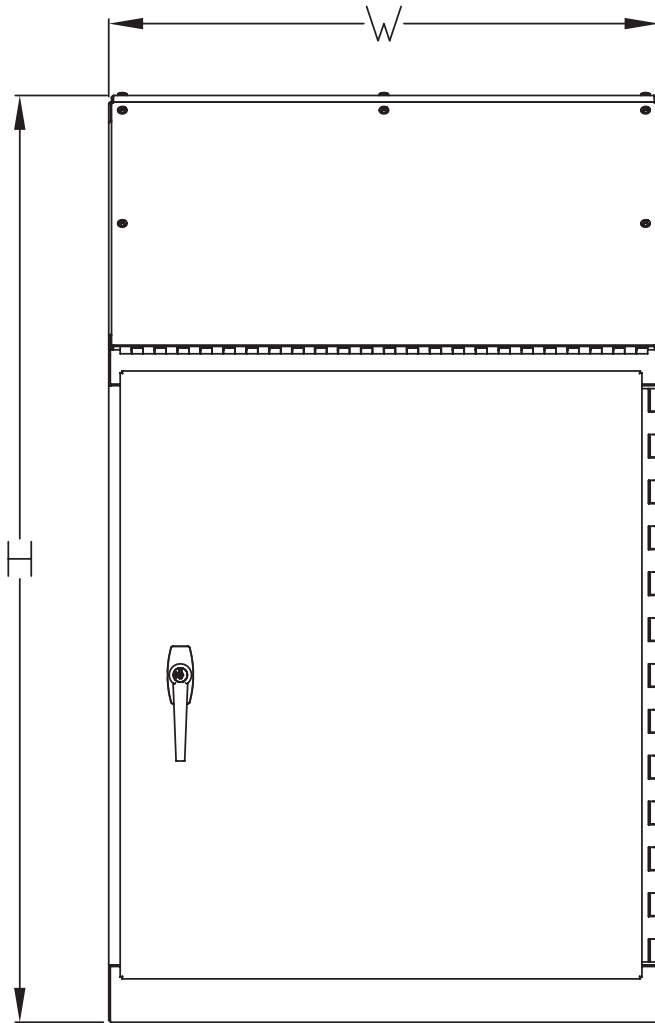
Notes: Dimensions in inches [millimeters]. Letters in table correspond to letters on dimensional drawings
Subpanel included with enclosure.

*Two door units.

W1C NEMA 12 and 13 Operator Consolets



Dimensions



WC9 NEMA 12 and 13 Operator Consoles



Applications

Designed to house electrical and electronic controls, instruments and components. Heavy-duty construction provides protection from dirt, dust, oil and water. Sloping front control panel provides an ideal surface for mounting pushbuttons, pilot lights, meters and switches. Interior components can be mounted on panels located on the sides and back of the enclosure. (subpanels are optional.)

Construction

- Bodies and doors fabricated from 14-gauge steel
- Continuously-welded seams ground smooth, without knockouts or holes
- Control panel attached with continuous hinge along bottom edge and secured with captive screws, threaded into sealed wells
- Door stops provided to hold control panel open
- Closed-cell neoprene gasket
- Collar studs provided for mounting one, two or three optional panels
- Grounding provisions provided
- 3-point keylocking handle is provided on the front access door
- Uses WAL2 series handles and WAL2KEY replacement key

Finish

- ANSI 61 gray polyester powder inside and out over phosphatized surfaces
- Optional side and back panels are white polyester powder over phosphatized surfaces
- Optional castor kits can be used on any enclosure to provide mobility
- Castor kit includes two swivel casters and two stationary casters along with all necessary hardware

Listings

- UL 508 12 and 13 [UL File E64791]
- NEMA/EEMAC 12 and 13



Shipping Schedule

Same day	1 - 5 days	1 - 7 days	1 - 15 days	1 - 20 days
----------	------------	------------	-------------	-------------

Color indicates shipping lead time in business days.

WC9 NEMA 12 and 13 Operator Consoles

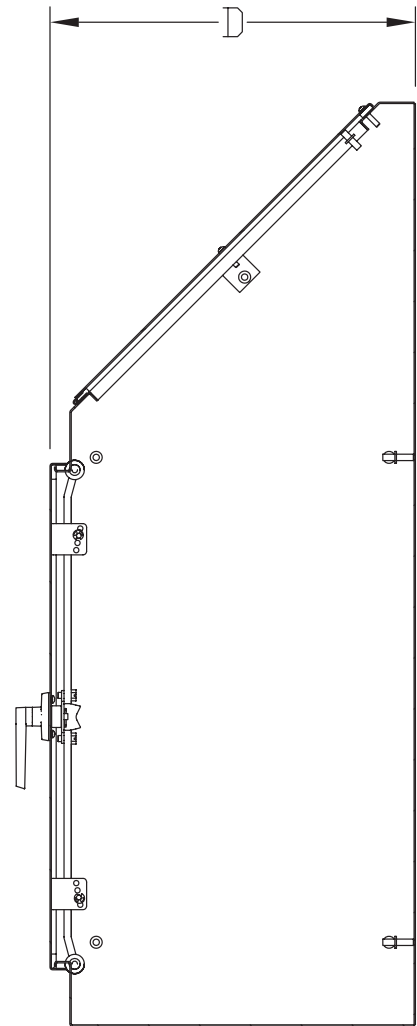
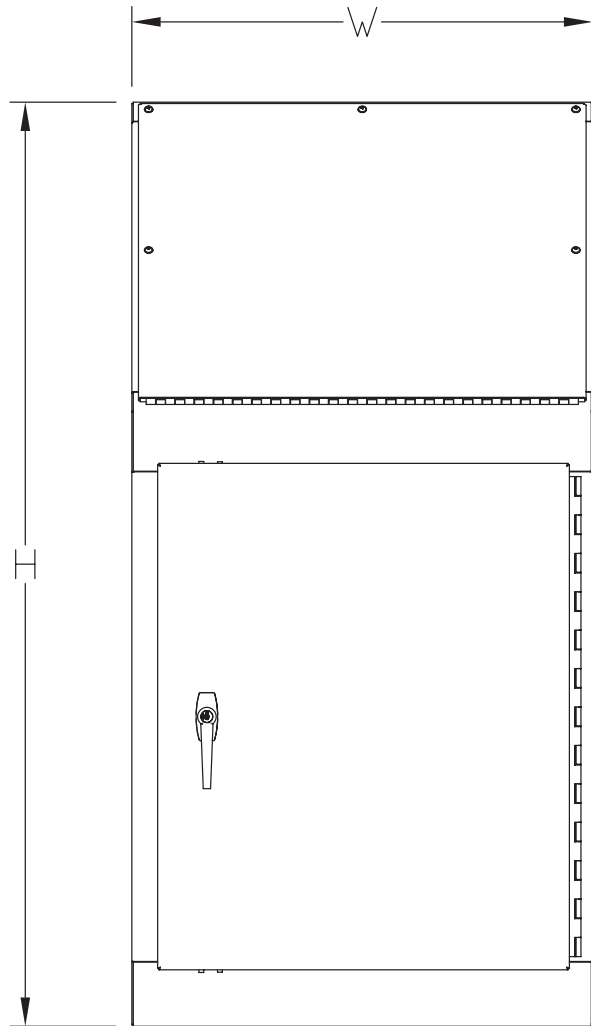
Console	Price	Size HxWxD	Subpanel*	Side-mount Panel*	Caster Kit*
WC924B	\$2,866.00	48.13 x 24.00 x 19.03 [1223 x 610 x 483]	NP3020	NP3020	WC10C
WC936B	\$3,513.00	48.13 x 36.00 x 19.03 [1223 x 914 x 483]	NP3030	NP3020	WC10C

Notes: Dimensions in inches [millimeters].
 Letters in table correspond to letters on dimensional drawings.
 *Subpanels, side-mount panels and caster kits must be ordered separately.

WC9 NEMA 12 and 13 Operator Consoles



Dimensions



WC10 NEMA 12 and 13 Operator Consoles



Applications

Designed to hold electrical and electronic controls and instruments. Heavy-duty construction provides protection from dirt, dust, oil and water. Pushbuttons, pilot lights, meters, switches, etc. can be mounted on sloping control surfaces. Interior components can be mounted on subpanel and terminal straps.

Construction

Base

- Fabricated from 14-gauge steel
- Seams are continuously-welded and ground smooth
- 3-point keylocking handle is provided on front, main door
- Flush main door
- Control panels are hinged along bottom edge
- Control panels have captivated screws threaded into sealed wells
- Door stops provided to hold control panel open
- Standard closed-cell neoprene gasket
- Removable subpanel is included with enclosure
- Grounding provisions provided
- Uses WAL2 series handles and WAL2KEY replacement key

Top

- Fabricated from 14-gauge steel
- Seams are continuously-welded and ground smooth
- Instrument and access panels have captivated screws that thread into sealed wells
- Closed-cell neoprene gasket

Writing desk

- Fabricated from 14-gauge steel
- Seams are continuously-welded and ground smooth
- Desks are removable and attach easily to console front

Finish

- ANSI 61 gray polyester powder inside and out over phosphatized surfaces
- Included painted steel subpanel is white polyester powder over phosphatized surfaces

Listings

- UL 508 12 and 13 [UL File E64791]
- NEMA/EEMAC 12 and 13



Shipping Schedule

Same day 1 - 5 days 1 - 7 days 1-10 days 1 - 15 days 1 - 20 days

Color indicates shipping lead time in business days.

WC10 NEMA 12 and 13 Operator Consoles

Part Number	Price	Enclosure SizeHxWxD	Description
WC10B	Retired	40.13 x 24.13 x 20.12 [1019 x 613 x 511]	Console base
WC10T	Retired	16.15 x 24.15 x 5.13 [410 x 614 x 130]	Console top for WC10B
WC10W	Retired	3.00 x 24.13 x 10.13 [76 x 613 x 26]	Writing desk for WC10B
WC10C	Retired	—	Caster kit: Set of 4 casters, 2 mounting plates, and hardware

Notes: Dimensions in inches [millimeters].

Letters in table correspond to letters on dimensional drawings.

*Subpanel is included with console.

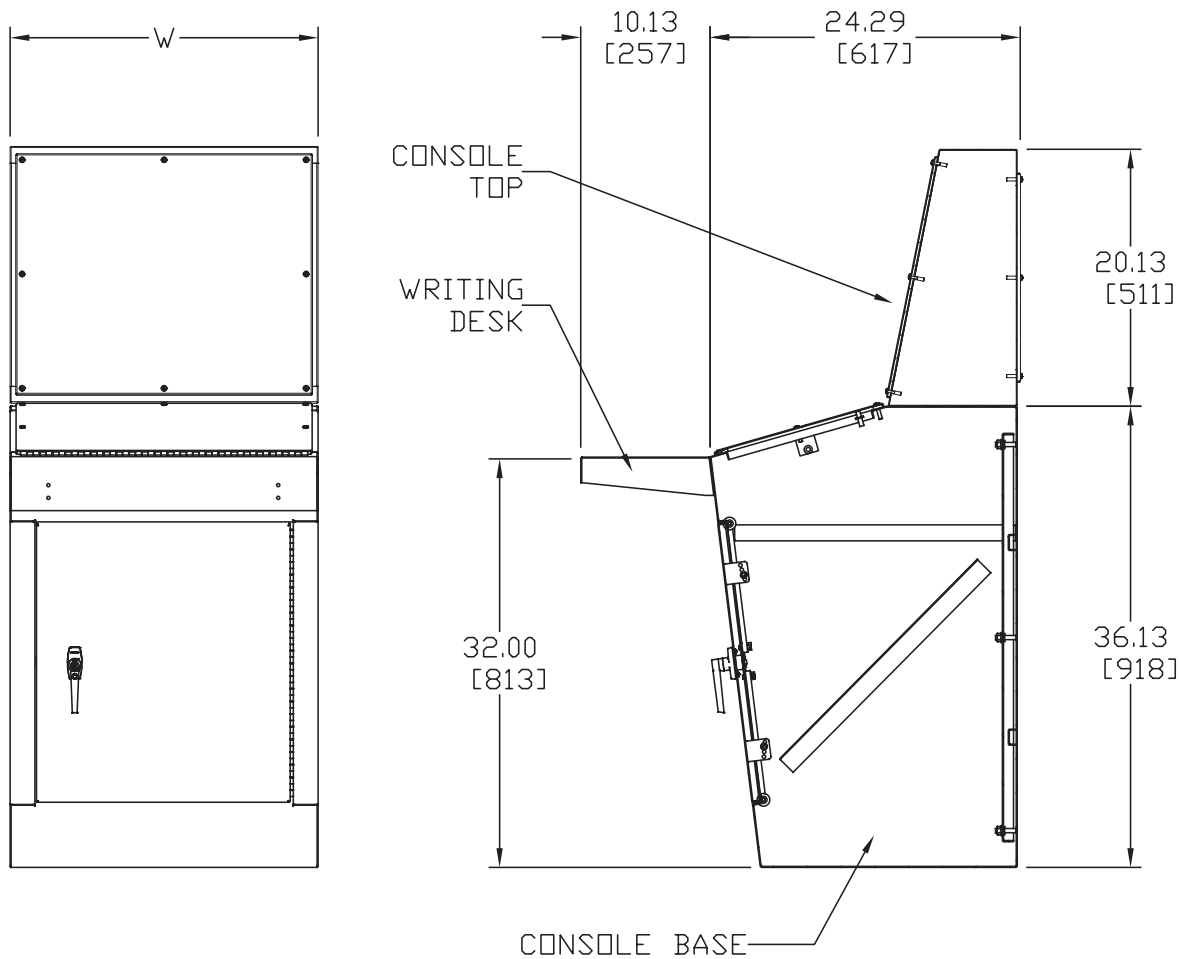
Tops, writing desks and caster kits must be ordered separately.

WC12 NEMA 12 and 13 Operator Consoles



Dimensions

in mm



NOTES:

1. ACCESS DOORS OPEN 180 DEGREES.
2. 3-POINT KEY LOCKING HANDLES ARE PROVIDED ON MAIN DOORS
3. WRITING DESK IS PROVIDED WITH MOUNTING HARDWARE.
4. 48" WIDE CONSOLE HAS TWO DOORS.

WC12 NEMA 12 and 13 Operator Consoles



Applications

Designed to hold electrical and electronic controls and instruments. Pushbuttons, pilot lights, meters, switches, etc. can be mounted on sloping control surfaces. Interior components can be mounted on subpanel and terminal straps. Heavy-duty construction provides protection from dirt, dust, oil and water.

Construction

Base

- Bodies and doors fabricated from 14-gauge steel
- Seams are continuously-welded and ground smooth
- 3-point keylocking handle is provided on front main door
- Double overlapping doors are provided on two-door consoles
- Main hinged doors are flush
- Large sloping control panels are hinged along bottom edge
- Control panels have captivated screws threaded into sealed wells
- Door stops provided to hold control panel open
- Closed-cell neoprene gasket
- Removable subpanel is included with console
- Grounding provisions provided
- Studs are welded to inside of console for mounting subpanel
- An inclined body rail is welded to each side of 24 in [610 mm] wide and 36 in [914 mm] wide consoles for support of terminal straps
- Uses WAL2 series handles and WAL2KEY replacement key

Top

- Fabricated from 14-gauge steel
- Top has a sloped front surface
- Four holes are provided for mounting to body
- Seams are continuously-welded and ground smooth
- Instrument and access panels have captivated screws which thread into sealed wells
- Closed-cell neoprene gasket
- Instrument panels and access panels are removable

Writing desk

- Fabricated from 14-gauge steel
- Seams are continuously-welded and ground smooth
- Desks are removable and attach easily to console front

Finish

- ANSI 61 gray polyester powder inside and out over phosphatized surfaces
- Included painted steel subpanel is white polyester powder over phosphatized surfaces

Listings

- UL 508 12 and 13 [UL File E64791]
- NEMA/EEMAC 12 and 13



Shipping Schedule

Same day 1 - 5 days 1 - 7 days 1-10 days 1 - 15 days 1 - 20 days

Color indicates shipping lead time in business days.

WC12 NEMA 12 and 13 Operator Consoles

Console Base	Price	Console Base HxWxD	Subpanel Size	Console Top	Price	Writing Desk	Price	Caster Kit
WC1224B(Single Door)	\$2,774.00	36.13 x 24.13 x 24.06 [918 x 613 x 611]	32.00 x 18.00 [813 x 457]	WC1224T	Retired	WC1224W	Retired	WC12C
WC12B (Single Door)	\$3,194.00	36.13 x 36.13 x 24.06 [918 x 918 x 611]	32.00 x 30.00 [813 x 762]	WC12T	\$934.00	WC12W	\$327.00	WC12C
WC1248BD(Double Door)	\$3,872.00	36.13 x 48.13 x 24.06 [918 x 1223 x 611]	32.00 x 42.00 [813 x 1067]	WC1248T	Retired	WC1248W	Retired	WC12C

Notes: Dimensions in inches [millimeters]. Letters in table correspond to letters on dimensional drawings.

Subpanels included.

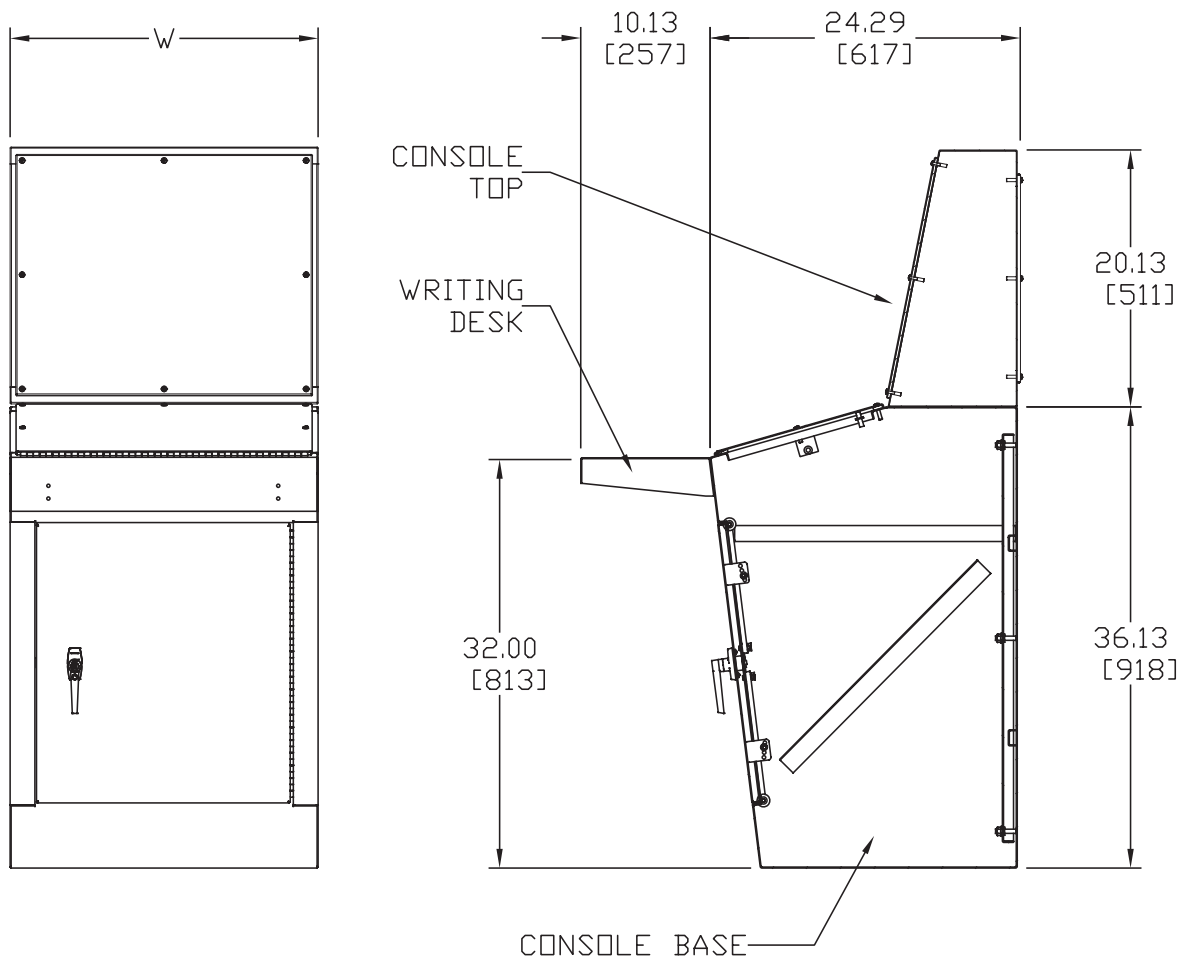
Tops, writing desk, etc. must be ordered separately.

WC12 NEMA 12 and 13 Operator Consoles



Dimensions

in mm



NOTES:

1. ACCESS DOORS OPEN 180 DEGREES.
2. 3-POINT KEY LOCKING HANDLES ARE PROVIDED ON MAIN DOORS
3. WRITING DESK IS PROVIDED WITH MOUNTING HARDWARE.
4. 48" WIDE CONSOLE HAS TWO DOORS.

WC14 NEMA 12 and 13 Operator Consoles



Applications

Designed to hold electrical and electronic controls and instruments. Pushbuttons, pilot lights, meters, switches, etc., can be mounted on the instrument panel. Interior components are mounted on stationary sub panels, swing-out sub panels or relay rack angles (panels are optional). Heavy-duty construction provides protection from dirt, dust, oil and water.

Construction

Base

- Bodies and doors fabricated from 14-gauge steel
- Seams are Continuously-welded and ground smooth, less knockouts or holes
- 3-point keylocking handle is provided on front main door
- Double overlapping doors are provided on two-door consoles
- Main hinged doors are flush
- One or two large sloping control panels are hinged on bottom
- Control panels have captivated screws threaded into sealed wells
- Door stops provided to hold control panel open
- Closed-cell neoprene gasket
- Horizontal channels are welded to sides of console to support optional panels and swing-out panels
- Grounding provisions provided
- Half, full and swing panels are optional
- An inclined body rail is welded to each side of 24 in [610 mm] wide and 36 in [914 mm] wide consoles for support of terminal straps
- Optional angle brackets, part number WC14R, are available for mounting 19 in [483 mm] rack equipment in the WC14B console
- Uses NWAL2 series handles and WAL2KEY replacement key

Top

- Fabricated from 14-gauge steel
- Top unit is 12.50in [64mm] deep to accommodate most instruments
- Four holes are provided for mounting to body
- Seams are Continuously-welded and ground smooth, less knockouts or hole
- Instrument and access panels have captivated screws which thread into sealed wells
- Closed-cell neoprene gasket
- Instrument panels and access panels are removable

Writing desk

- Fabricated from 14-gauge steel
- Seams are continuously-welded and ground smooth
- Desks are removable and attach easily to console front

Finish

- ANSI 61 gray polyester powder inside and out over phosphatized surfaces
- Optional panels are white polyester powder over phosphatized surfaces

Listings

- UL 508 12 and 13 [UL File E64791]
- NEMA/EEMAC 12 and 13



Shipping Schedule

Same day	1 - 5 days	1 - 7 days	1-10 days	1 - 15 days	1 - 20 days
----------	------------	------------	-----------	-------------	-------------

Color indicates shipping lead time in business days.

WC14 NEMA 12 and 13 Operator Consoles

ConsoleBase	Price	Console Base SizeHxWxD	Console Top	Price	Writing Desk	Price	Subpanels	Clamping Nuts	Caster Kit
WC14B (Single Door)	Retired	50.13 x 24.12 x 23.12 [1273 x 613 x 587]	WC14T	Retired	WC14W	Retired	WC14P1 (Swing Panel)	WAPS1420CN	WC12C
							WC14P2 (Half Panel)		
							WC14P3 (Full Panel)		
WC1436B (Single Door)	Retired	50.13 x 36.12 x 23.12 [1273 x 917 x 587]	WC1436T	Retired	WC1436W	Retired	WC1436P1 (Swing Panel)	WAPS1420CN	
							WC1436P2 (Half Panel)		
							WC1436P3 (Full Panel)		
WC1448BD (Double Door)	Retired	50.13 x 48.12 x 23.12 [1273 x 1222 x 587]	WC1448T	Retired	WC1448W	Retired	WC1448P2 (Half Panel)	WAPS1420CN	
							WC1448P3 (Full Panel)		
							WAPS3816CN		
WC1460BD (Double Door)	Retired	50.13 x 60.12 x 23.12 [1273 x 1527 x 587]	WC1460T	Retired	WC1460W	Retired	WC1460P2 (Half Panel)	WAPS1420CN	
							WC1460P3 (Full Panel)		
							WAPS3816CN		

Notes: Dimensions in inches [millimeters].

Letters in table correspond to letters on dimensional drawings.

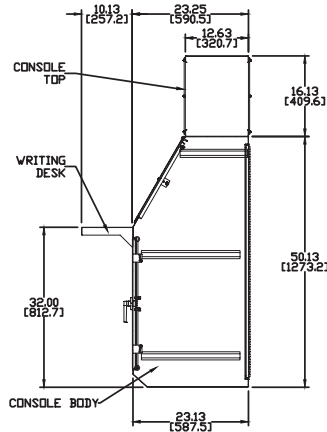
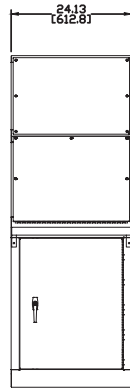
Subpanels, etc. must be ordered separately.

WC14 NEMA 12 and 13 Operator Consoles

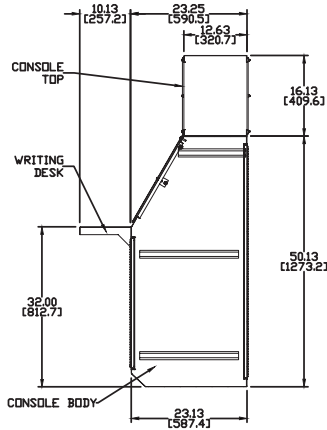
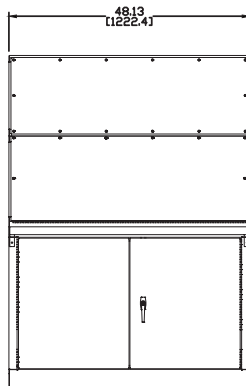


Dimensions

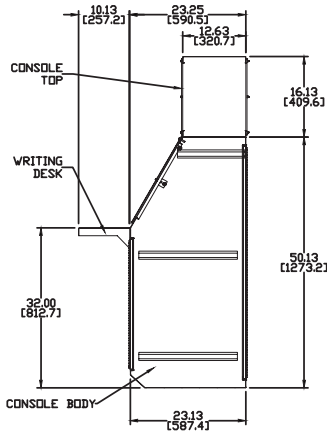
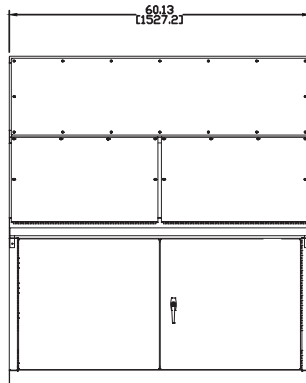
WC14B



WC1448BD



WC1460BD



- NOTES:
1. ACCESS DOORS OPEN 180 DEGREES.
 2. 3-POINT KEY LOCKING HANDLES ARE PROVIDED ON MAIN DOORS
 3. WRITING DESK IS PROVIDED WITH MOUNTING HARDWARE.
 4. 48" WIDE CONSOLE HAS TWO DOORS.

Operator Consolets



Applications

Designed to house a variety of electronic control or instrumentation devices. Consolets provide protection from dirt, dust, oil and water. Flexible design allows for mounting on either of two sides, creating control surfaces of 30° or 60°. Consolets can be mounted on desktops, pedestals, or other flat surfaces.

Construction

- Bodies and doors fabricated from 14-gauge steel
- Seams are Continuously-welded and ground smooth, less knockouts or holes
- Captivated cover screws threaded into sealed wells
- Control panel is continuously hinged along bottom edge
- Closed-cell neoprene gasket
- Grounding provisions provided

Finish

- Painted Steel: ANSI 61 gray polyester powder inside and out over phosphatized surfaces
- Stainless Steel: #3 intermediate polished finish

Listings

- UL 508 12 and 13 (stainless steel also 4 and 4X) [UL File E64791]



Shipping Schedule

Same day 1 - 5 days 1 - 7 days 1-10 days 1 - 15 days 1 - 20 days

Color indicates shipping lead time in business days.

Operator Consolets

Painted Steel	Price	Stainless Steel	Price	Enclosure SizeHxD
WC08C08	\$180.00	WC08C08SS	\$309.00	8.31 x 8.31 x 7.10 [211 x 211 x 180]
WC08C12	\$199.00	WC08C12SS	\$342.00	8.31 x 12.31 x 7.10 [211 x 315 x 180]
WC08C16	\$218.00	WC08C16SS	\$375.00	8.31 x 16.31 x 7.10 [211 x 414 x 180]
WC08C20	Retired	WC08C20SS	\$408.00	8.31 x 20.31 x 7.10 [211 x 516 x 180]
WC12C12	\$232.00	WC12C12SS	\$398.00	12.31 x 12.31 x 9.10 [313 x 313 x 231]
WC12C16	\$258.00	WC12C16SS	\$443.00	12.31 x 16.31 x 9.10 [313 x 414 x 231]
WC12C20	\$293.00	WC12C20SS	\$490.00	12.31 x 20.31 x 9.10 [313 x 516 x 231]
WC12C24	\$319.00	WC12C24SS	\$534.00	12.31 x 24.31 x 9.10 [513 x 617 x 231]
WC16C16	\$300.00	WC16C16SS	\$516.00	16.31 x 16.31 x 11.10 [414 x 414 x 282]
WC16C20	\$333.00	WC16C20SS	\$574.00	16.31 x 20.31 x 11.10 [414 x 516 x 282]
WC16C24	\$367.00	WC16C24SS	\$632.00	16.31 x 24.31 x 11.10 [414 x 617 x 282]
WC16C30	\$429.00	WC16C30SS	Retired	16.31 x 30.31 x 11.10 [414 x 770 x 282]
WC16C36	\$483.00	WC16C36SS	\$918.00	16.31 x 36.31 x 11.10 [414 x 922 x 282]
WC20C20	\$396.00	WC20C20SS	\$662.00	20.31 x 20.31 x 13.10 [516 x 516 x 333]
WC20C24	\$438.00	WC20C24SS	\$733.00	20.31 x 24.31 x 13.10 [516 x 617 x 333]
WC20C30	\$489.00	WC20C30SS	\$843.00	20.31 x 30.31 x 13.10 [516 x 770 x 333]

Notes: Dimensions in inches [millimeters].

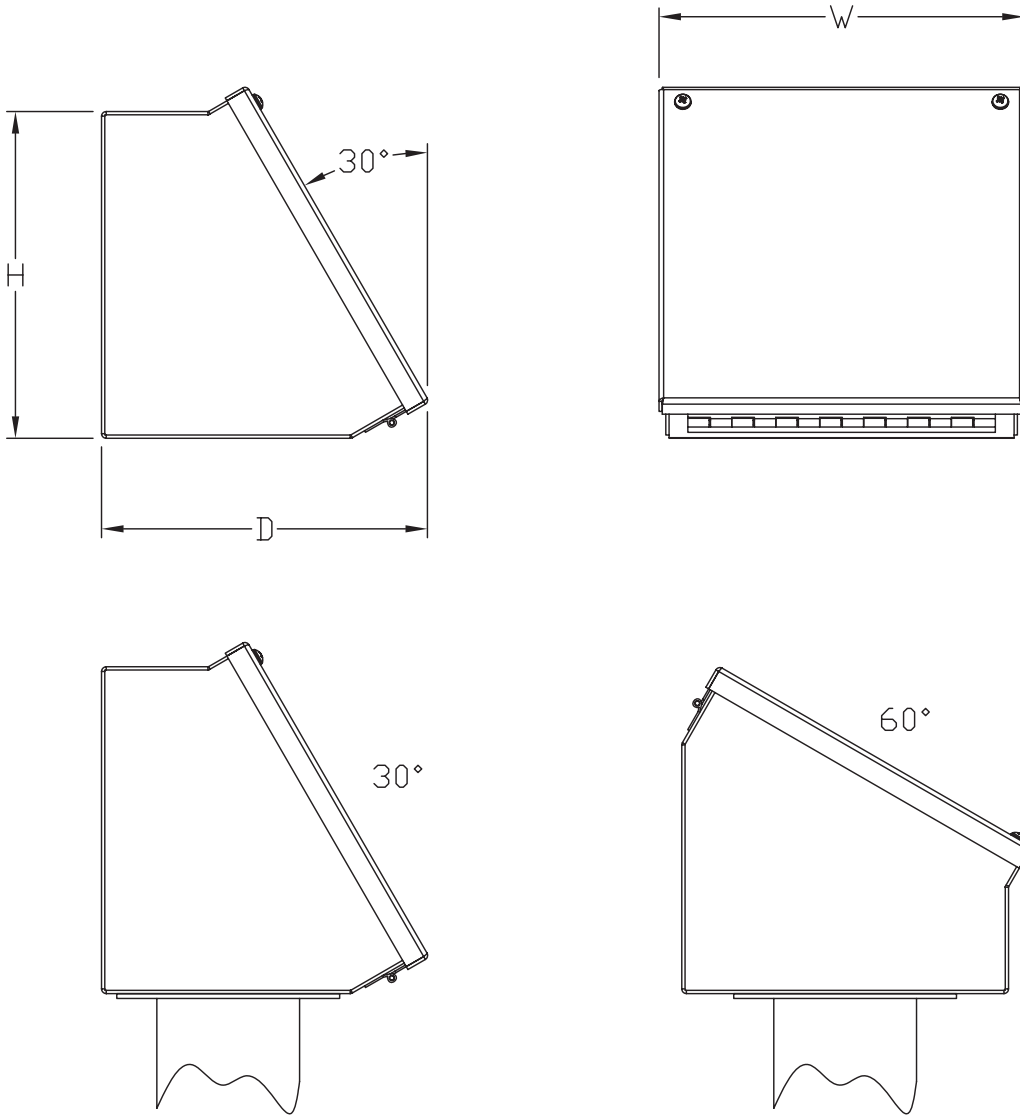
Letters in table correspond to letters on dimensional drawings.

Letters in table correspond to letters on dimensional drawings.

Operator Consolets

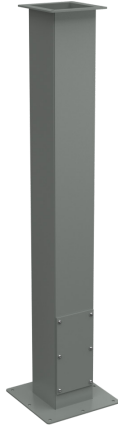


Dimensions

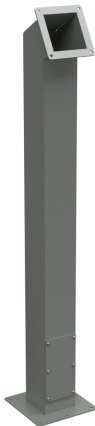


CONSOLET CAN BE POSITIONED AT 30° OR 60° ANGLE

Pedestal Columns and Bases for Operator Consoles



WA44CCOL shown with optional base



WA44PBCOL shown with optional base

Applications

Designed to permit floor-mounting of many types of enclosures and boxes. Four column and two base sizes are available. Columns can be mounted on either base. Wiring connections can be made through the base, through the vertical column, or directly to the enclosure. Columns have flanges at each end and a gasketed access plate. Screws, oil-resistant gaskets, and box connector fitting are furnished with each column for joining an enclosure to the top of the column. A cutout must be made in the enclosure if the wires are to come through the column.

Construction

Column

- Columns fabricated from 14-gauge steel with 10-gauge flanges
- Gasket, screws and connective fittings are furnished for mounting console
- Columns feature gasketed access plate

Base

- 18" bases are fabricated from 10-gauge steel
- 24 in [610 mm] bases are fabricated from 7 gauge steel
- Both bases have added reinforcing, leveling screws and holes for securing to floor

Finish

- Painted Steel: ANSI 61 gray polyester powder inside and out over phosphatized surfaces
- Stainless Steel: #3 intermediate polished finish

Listings

- UL 508 12 and 13 [UL File E64791]



Shipping Schedule

Same day 1 - 5 days 1 - 7 days 1-10 days 1 - 15 days 1 - 20 days

Color indicates shipping lead time in business days.

Pedestal Columns and Bases for Operator Consoles

Painted Steel	Price	Stainless Steel	Price	Steel Gauge	Pedestal Size	Pedestal or Base HxWxD	Description
WA44CCOL	\$308.00	WA44CCOLSS	\$1,134.00	14	4.00 x 4.00 [102 x 102]	35.00 x 4.00 x 4.00 [889 x 102 x 102]	Straight pedestal column
WA66CCOL	\$462.00	WA66CCOLSS	\$1,652.00	14	6.00 x 6.00 [152 x 152]	35.00 x 6.00 x 6.00 [889 x 152 x 152]	Straight pedestal column
WA44PBCOL	\$364.00	WA44PBCOLSS	\$1,340.00	14	4.00 x 4.00 [102 x 102]	43.8 x 4.00 x 4.00 [1113 x 102 x 102]	Angled pedestal column
WA66PBCOL	\$546.00	WA66PBCOLSS	\$1,889.00	14	6.00 x 6.00 [152 x 152]	44.5 x 6.00 x 6.00 [1130 x 152 x 152]	Angled pedestal column
WA18SBASE	\$189.00	WA18SBASESS	Retired	10	—	18.00 x 18.00 x 1.13 [457 x 457 x 29]	Pedestal base
WA24SBASE	\$425.00	WA24SBASESS	Retired	7	—	24.00 x 24.00 x 1.31 [610 x 610 x 33]	Pedestal base

Notes: Dimensions in inches [millimeters].

Letters in table correspond to letters on dimensional drawings.

The user would normally remove the mounting feet from the enclosure if the enclosure is mounted on a pedestal.

Pedestal Columns and Bases for Operator Consoles



Dimensions

