

BantamBox Series Polycarbonate Enclosures

NEMA 1, 3R, 4, 4X and 12 with Screw Cover



BB060555W



BBCC090603W

Applications

BantamBox offers an all-polycarbonate product with clear or opaque covers. These enclosures include an external flush wall design, unobstructed internal sidewalls, 304 stainless steel cover screws, and watertight seal.

Construction

- Polycarbonate for 1480 in-lb, high impact resistance per UL746C

Gray in color with gloss Finish

- Poured polyurethane seamless gasket provides watertight, dust-tight environmental seal
- Multiple depths available in most sizes
- Flush sides for a perfect fit
- Multiple molded-in bosses for a variety of equipment mounting solutions
- Lift-off cover with 4 screws
- Tightening torque: M4-9 17 lb-in, M6 17-22 lb-in

Listings

- UL/cUL File [UL File E64358]
- NEMA Ratings 1, 3R, 4, 4X, and 12
- IEC 60529 IP66 [UL File 362920]
- Flammability Rating: UL94-V2
- Non-flame propagating
- UV Exposure Rating: UL-f1
- Temperature Range: -40°F to 212°F [-40°C to 100°C]
- Certifications: cULus, REACH, CE, IEC



BantamBox Series Polycarbonate Enclosures

NEMA 1, 3R, 4, 4X and 12 with Screw Cover



AttaBox
A ROBROY ENCLOSURES™ BRAND

Shipping Schedule

Same day 1 - 5 days 1 - 7 days 1 - 15 days 1 - 20 days

Color indicates shipping lead time in business days.

Bantam Box Series Polycarbonate Enclosures

Opaque Cover	Price	Clear Cover	Price	Enclosure Overall Size HxWxD	Subpanel	Drawing Link
BB060555W	\$36.50	BBCC060555W	\$37.50	2.56 x 1.97 x 2.17 [65 x 50 x 55]	—	PDF
BB080805W	\$43.00	BBCC080805W	\$45.00	3.23 x 3.15 x 2.17 [82 x 80 x 55]	BPB0808P	PDF
BB080809W	\$48.00	—	—	3.23 x 3.15 x 3.35 [82 x 80 x 85]	BPB0808P	PDF
BB080810W	\$49.00	—	—	3.23 x 3.15 x 3.74 [82 x 80 x 95]	BPB0808P	PDF
BB090603W	\$41.00	BBCC090603W	\$44.50	3.86 x 2.52 x 1.46 [98 x 64 x 37]	—	PDF
BB128055W	\$47.00	BBCC128055W	\$50.00	4.72 x 3.15 x 2.17 [120 x 80 x 55]	BPB1280P	PDF
BBR128080W	\$51.00	—	—	4.72 x 3.15 x 3.15 [120 x 80 x 80]	BPB1280P	PDF
BB128010W	\$54.00	—	—	4.72 x 3.15 x 3.94 [120 x 80 x 100]	BPB1280P	PDF
BB121255W	\$55.00	—	—	4.80 x 4.72 x 2.17 [122 x 120 x 55]	BPB1212P	PDF
BB121275W	\$59.00	BBCC121275W	\$63.00	4.80 x 4.72 x 2.95 [122 x 120 x 75]	BPB1212P	PDF
BB121211W	\$69.00	BBCC121211W	\$72.00	4.80 x 4.72 x 4.13 [122 x 120 x 105]	BPB1212P	PDF
BB168055W	\$57.00	—	—	6.30 x 3.15 x 2.17 [160 x 80 x 55]	BPB1680P	PDF
BB168090W	\$62.00	BBCC168090W	\$65.00	6.30 x 3.15 x 3.54 [160 x 80 x 90]	BPB1680P	PDF
BB161255W	\$74.00	BBCC161255W	\$77.00	6.30 x 4.72 x 2.17 [160 x 120 x 55]	BPB1612P	PDF
BB161290W	\$76.00	BBCC161290W	\$80.00	6.30 x 4.72 x 3.54 [160 x 120 x 90]	BPB1612P	PDF
BB161214W	\$89.00	BBCC161214W	\$93.00	6.30 x 4.72 x 5.51 [160 x 120 x 140]	BPB1612P	PDF
BB201275W	\$78.00	BBCC201275W	\$82.00	7.87 x 4.72 x 2.95 [200 x 120 x 75]	BPB2012P	PDF
BB201290W	\$80.00	—	—	7.87 x 4.72 x 3.54 [200 x 120 x 90]	BPB2012P	PDF
BB201510W	\$92.00	BBCC201510W	\$98.00	7.87 x 5.91 x 3.94 [200 x 150 x 100]	BPB2015P	PDF
BB201513W	\$95.00	BBCC201513W	\$102.00	7.87 x 5.91 x 4.92 [200 x 150 x 125]	BPB2015P	PDF
BB251690W	\$94.00	—	—	9.84 x 6.30 x 3.54 [250 x 160 x 90]	BPB2516P	PDF
BB251611W	\$113.00	—	—	9.84 x 6.30 x 4.53 [250 x 160 x 115]	BPB2516P	PDF
BB251612W	\$115.00	BBCC251612W	\$121.00	9.84 x 6.30 x 4.72 [250 x 160 x 120]	BPB2516P	PDF
BB251615W	\$117.00	BBCC251615W	\$125.00	9.84 x 6.30 x 5.91 [250 x 160 x 150]	BPB2516P	PDF

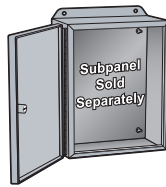
Notes: Subpanels must be ordered separately.
Dimensions in inches [millimeters].

Heartland Series Polycarbonate Enclosures

Opaque Door with Polycarbonate Latches



AH12106



Construction

- Polycarbonate with UV inhibitors
- Robotically-applied foam-in-place polyurethane seamless gasket
- 304 stainless steel cover screws
- Panel mounting capability for fixed rear panel
- Rear wall-mounting screw size #10-32x3/8
- All threaded brass inserts accept #10-32 screws
- #10-32x5/8 cover screw size
- 20-24in lb cover screw torque
- 1/4-20x1/2 mounting feet inserts
- 10-14 in lb mounting feet torque
- Polycarbonate with UV inhibitors hinge and latch hardware
- Variable depth side mount capability
- Fully nonmetallic hinge, does not penetrate inside enclosure
- Thick, robust side wall construction eliminates side wall flexing
- Shallow design 18" x 16" x 4" enclosure is ideal for low profile applications and equipment
- Sliding T-Nut allows for infinite panel adjustment back to front
- Aluminum back panel and swing out panel mounting options

Listings

- cULus File E319779
- NEMA Ratings 1, 3R, 4, 4X, and 12 [UL508A, UL50, and UL50e]
- IEC 60529 Ratings IP66
- Temperature Range (-40°F to +248°F) (-40°C to +120°C)
- Flammability Rating UL94-5V

Certifications

- cULus, CE, REACH
- Outdoor UV Exposure (UL 746C) (f1) Rated



Shipping Schedule

Same day 1 - 5 days 1 - 7 days 1 - 15 days 1 - 20 days

Color indicates shipping lead time in business days.

Heartland Series Polycarbonate Enclosures – Opaque Door with Polycarbonate Latches

Part Number	Price	Enclosure Overall Size HxWxD	Wt.	Carbon Steel Subpanel	Aluminum Subpanel	Drawing Link
AH664	\$88.00	7.40 x 7.41 x 5.35 [188 x 188 x 136]	2.50 [1.13]	—	BP66A	PDF
AH864	\$94.00	9.40 x 7.40 x 5.32 [239 x 188 x 135]	3.20 [1.45]	—	BP86A	PDF
AH884	\$98.00	9.41 x 9.41 x 5.36 [239 x 239 x 136]	3.80 [1.72]	BP88CS	—	PDF
AH1084	\$114.00	11.41 x 9.41 x 5.89 [290 x 239 x 150]	4.30 [1.95]	—	BP108A	PDF
AH1086	\$119.00	11.41 x 9.41 x 7.39 [290 x 239 x 188]	5.20 [2.36]	—	BP108A	PDF
AH10106	\$125.00	11.41 x 11.41 x 6.47 [290 x 290 x 164]	5.70 [2.59]	—	BP1010A	PDF
AH12106	\$158.00	13.41 x 11.41 x 7.38 [341 x 290 x 187]	6.20 [2.81]	—	BP1210A	PDF
AH14126	\$185.00	15.40 x 13.40 x 7.39 [391 x 340 x 188]	8.00 [3.63]	—	BP1412A	PDF
AH16148	\$209.00	17.41 x 15.41 x 9.40 [442 x 391 x 239]	10.00 [4.54]	—	BP1614A	PDF
AH18164	\$228.00	19.40 x 17.41 x 5.41 [493 x 442 x 137]	4.50 [2.04]	—	BP1816A	PDF
AH181610	\$247.00	19.41 x 17.41 x 11.41 [493 x 442 x 290]	11.25 [5.10]	—	BP1816A	PDF
AH20168	\$362.00	21.41 x 17.41 x 9.47 [544 x 442 x 241]	14.00 [6.35]	—	—	PDF
AH242410	\$649.00	25.41 x 25.41 x 11.41 [645 x 645 x 290]	23.60 [10.70]	—	—	PDF

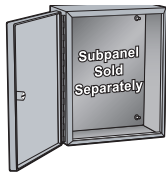
Notes: Subpanels must be ordered separately.
 Dimensions in inches [millimeters].
 Weight in pounds [kilograms].

Heartland Series Polycarbonate Enclosures

Smoked Door with Polycarbonate Latches



AH12106C



Construction

- Polycarbonate with UV inhibitors
- Neoprene rope style gasket
- Poured polyurethane seamless gasket in select sizes
- 304 stainless steel cover screw
- Panel mounting capability for fixed rear panel
- Rear wall-mounting screw size #10-32x3/8
- All threaded brass inserts accept #10-32 screws
- #10-32x5/8 cover screw size
- 20-24 in lb cover screw torque
- 1/4-20x1/2 mounting feet inserts
- 10-14 in lb mounting feet torque
- Polycarbonate with UV inhibitors hinge and latch hardware
- Variable depth side mount capability
- Fully nonmetallic hinge, does not penetrate inside enclosure
- Thick, robust side wall construction eliminates side wall flexing
- Shallow design 18" x 16" x 4" enclosure is ideal for low profile applications and equipment
- Sliding T-Nut allows for infinite panel adjustment back to front
- Aluminum back panel and swing out panel mounting options

Listings

- cULus File E319779
- NEMA Ratings 1, 3R, 4, 4X, and 12 [UL508A, UL50, and UL50e]
- IEC 60529 Ratings IP66
- Temperature Range (-40°F to +248°F) (-40°C to +120°C)
- Flammability Rating UL94-5V

Certifications

- cULus, CE, REACH
- Outdoor UV Exposure (UL 746C) (f1) Rated



Shipping Schedule

Same day 1 - 5 days 1 - 7 days 1 - 15 days 1 - 20 days

Color indicates shipping lead time in business days.

Heartland Series Polycarbonate Enclosures – Smoked Door with Polycarbonate Latches

Part Number	Price	Enclosure Overall Size HxWxD	Wt.	Carbon Steel Subpanel	Aluminum Subpanel	Drawing Link
AH664C	\$95.00	7.40 x 7.41 x 5.35 [188 x 188 x 136]	2.50 [1.13]	—	BP66A	PDF
AH864C	\$106.00	9.40 x 7.40 x 5.32 [239 x 188 x 135]	3.20 [1.45]	—	BP86A	PDF
AH884C	\$112.00	9.41 x 9.41 x 5.36 [239 x 239 x 136]	3.75 [1.70]	BP88CS	—	PDF
AH1084C	\$134.00	11.41 x 9.41 x 5.89 [290 x 239 x 150]	4.30 [1.95]	—	BP108A	PDF
AH1086C	\$139.00	11.41 x 9.41 x 7.39 [290 x 239 x 188]	5.20 [2.36]	—	BP108A	PDF
AH10106C	\$146.00	11.41 x 11.41 x 6.47 [290 x 290 x 164]	5.70 [2.59]	—	BP1010A	PDF
AH12106C	\$176.00	13.41 x 11.41 x 7.38 [341 x 290 x 187]	6.20 [2.81]	—	BP1210A	PDF
AH14126C	\$194.00	15.40 x 13.40 x 7.39 [391 x 340 x 188]	8.00 [3.63]	—	BP1412A	PDF
AH16148C	\$237.00	17.41 x 15.41 x 9.40 [442 x 391 x 239]	10.00 [4.54]	—	BP1614A	PDF
AH18164C	\$267.00	19.40 x 17.41 x 5.41 [493 x 442 x 137]	4.50 [2.04]	—	BP1816A	PDF
AH181610C	\$275.00	19.41 x 17.41 x 11.41 [493 x 442 x 290]	11.25 [5.10]	—	BP1816A	PDF
AH20168C	\$424.00	21.41 x 17.41 x 9.47 [544 x 442 x 241]	14.00 [6.35]	—	—	PDF
AH242410C	\$695.00	25.41 x 25.41 x 11.41 [645 x 645 x 290]	23.60 [10.70]	—	—	PDF

Notes: Subpanels must be ordered separately.
Dimensions in inches [millimeters].
Weight in pounds [kilograms].

Heartland Series Polycarbonate Enclosures

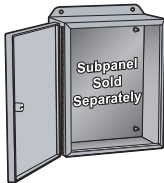
Opaque Door with Stainless Steel Latches



AttaBox
A ROBROY ENCLOSURES™ BRAND



AH12106SS



Construction

- Polycarbonate with UV inhibitors
- Neoprene rope style gasket
- Poured polyurethane seamless gasket in select sizes
- 316 stainless steel cover screws and latches
- Panel mounting capability for fixed rear panel
- Rear wall-mounting screw size - #10-32x3/8
- All threaded brass inserts accept #10-32 screws
- #10-32x5/8 cover screw size
- 20-24 in lb cover screw torque
- 1/4-20x1/2 mounting feet inserts
- 10-14 in lb mounting feet torque
- Variable depth side mount capability

Listings

- cULus File E319779
- NEMA Ratings 1, 3R, 4, 4X, and 12 [UL508A, UL50, and UL50e]
- IEC 60529 Ratings IP66
- Temperature Range (-40°F to +248°F) (-40°C to +120°C)
- Flammability Rating UL94-5V

Certifications

- cULus, CE, REACH
- Outdoor UV Exposure (UL 746C) (f1) Rated



Shipping Schedule

Same day 1 - 5 days 1 - 7 days 1 - 15 days 1 - 20 days

Color indicates shipping lead time in business days.

Heartland Series Polycarbonate Enclosures – Opaque Door with Stainless Steel Latches

Part Number	Price	Enclosure Overall Size HxWxD	Wt.	Carbon Steel Subpanel	Aluminum Subpanel	Drawing Link
AH664SS	\$95.00	7.40 x 7.41 x 5.35 [188 x 188 x 136]	2.50 [1.13]	—	BP66A	PDF
AH864SS	\$101.00	9.40 x 7.40 x 5.32 [239 x 188 x 135]	3.20 [1.45]	—	BP86A	PDF
AH884SS	\$105.00	9.41 x 9.41 x 5.36 [239 x 239 x 136]	3.75 [1.70]	BP88CS	—	PDF
AH1084SS	\$123.00	11.41 x 9.41 x 5.89 [290 x 239 x 150]	4.30 [1.95]	—	BP108A	PDF
AH10106SS	\$135.00	11.41 x 11.41 x 6.47 [290 x 290 x 164]	5.70 [2.59]	—	BP108A	PDF
AH1086SS	\$128.00	11.41 x 9.41 x 7.39 [290 x 239 x 188]	5.20 [2.36]	—	BP1010A	PDF
AH12106SS	\$170.00	13.41 x 11.41 x 7.38 [341 x 290 x 187]	6.20 [2.81]	—	BP1210A	PDF
AH14126SS	\$199.00	15.40 x 13.40 x 7.39 [391 x 340 x 188]	8.00 [3.63]	—	BP1412A	PDF
AH16148SS	\$225.00	17.41 x 15.41 x 9.40 [442 x 391 x 239]	10.00 [4.54]	—	BP1614A	PDF
AH18164SS	\$245.00	19.40 x 17.41 x 5.41 [493 x 442 x 137]	4.50 [2.04]	—	BP1816A	PDF
AH181610SS	\$266.00	19.41 x 17.41 x 11.41 [493 x 442 x 290]	11.25 [5.10]	—	BP1816A	PDF
AH20168SS	\$390.00	21.41 x 17.41 x 9.47 [544 x 442 x 241]	14.00 [6.35]	—	—	PDF
AH242410SS	\$697.00	25.41 x 25.41 x 11.41 [645 x 645 x 290]	23.60 [10.70]	—	—	PDF

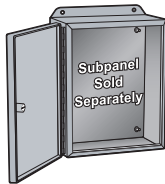
Notes: Subpanels must be ordered separately.
Dimensions in inches [millimeters].
Weight in pounds [kilograms].

Heartland Series Polycarbonate Enclosures

Smoked Door with Stainless Steel Latches



AH12106CSS



Construction

- Polycarbonate with UV inhibitors
- Neoprene rope style gasket
- Poured polyurethane seamless gasket in select sizes
- 316 stainless steel cover screw and latches
- Panel mounting capability for fixed rear panel
- Rear wall-mounting screw size #10-32x3/8
- All threaded brass inserts accept #10-32 screws
- #10-32x5/8 cover screw size
- 20-24 in lb cover screw torque
- 1/4-20x1/2 mounting feet inserts
- 10-14 in lb mounting feet torque
- Variable depth side mount capability
- Fully nonmetallic hinge, does not penetrate inside enclosure
- Thick, robust side wall construction eliminates side wall flexing
- Shallow design 18" x 16" x 4" enclosure is ideal for low profile applications and equipment
- Sliding T-Nut allows for infinite panel adjustment back to front
- Aluminum back panel and swing out panel mounting options

Listings

- cULus File E319779
- NEMA Ratings 1, 3R, 4, 4X, and 12 [UL508A, UL50, and UL50e]
- IEC 60529 Ratings IP66
- Temperature Range (-40°F to +248°F) (-40°C to +120°C)
- Flammability Rating UL94-5V

Certifications

- cULus, CE, REACH
- Outdoor UV Exposure (UL 746C) (f1) Rated



Shipping Schedule

Same day 1 - 5 days 1 - 7 days 1 - 15 days 1 - 20 days

Color indicates shipping lead time in business days.

Heartland Series Polycarbonate Enclosures – Smoked Door with Stainless Steel Latches

Part Number	Price	Enclosure Overall Size HxWxD	Wt.	Carbon Steel Subpanel	Aluminum Subpanel	Drawing Link
AH664CSS	\$103.00	7.40 x 7.41 x 5.35 [188 x 188 x 136]	2.50 [1.13]	—	BP66A	PDF
AH864CSS	\$114.00	9.40 x 7.40 x 5.32 [239 x 188 x 135]	3.20 [1.45]	—	BP86A	PDF
AH884CSS	\$121.00	9.41 x 9.41 x 5.36 [239 x 239 x 136]	3.75 [1.70]	BP88CS	—	PDF
AH1084CSS	\$144.00	11.41 x 9.41 x 5.89 [290 x 239 x 150]	4.30 [1.95]	—	BP108A	PDF
AH1086CSS	\$149.00	11.41 x 9.41 x 7.39 [290 x 239 x 188]	5.20 [2.36]	—	BP108A	PDF
AH10106CSS	\$157.00	11.41 x 11.41 x 6.47 [290 x 290 x 164]	5.70 [2.59]	—	BP1010A	PDF
AH12106CSS	\$189.00	13.41 x 11.41 x 7.38 [341 x 290 x 187]	6.20 [2.81]	—	BP1210A	PDF
AH14126CSS	\$208.00	15.40 x 13.40 x 7.39 [391 x 340 x 188]	8.00 [3.63]	—	BP1412A	PDF
AH16148CSS	\$255.00	17.41 x 15.41 x 9.40 [442 x 391 x 239]	10.00 [4.54]	—	BP1614A	PDF
AH18164CSS	\$287.00	19.40 x 17.41 x 5.41 [493 x 442 x 137]	4.50 [2.04]	—	BP1816A	PDF
AH181610CSS	\$296.00	19.41 x 17.41 x 11.41 [493 x 442 x 290]	11.25 [5.10]	—	BP1816A	PDF
AH20168CSS	\$456.00	21.41 x 17.41 x 9.47 [544 x 442 x 241]	14.00 [6.35]	—	—	PDF
AH242410CSS	\$747.00	25.41 x 25.41 x 11.41 [645 x 645 x 290]	23.60 [10.70]	—	—	PDF

Notes: Subpanels must be ordered separately.
 Dimensions in inches [millimeters].
 Weight in pounds [kilograms].

Commander Series Polycarbonate Pushbutton Enclosures

NEMA 1, 3R, 4X, 6P, and 12 with Lift-off Cover



Applications

AttaBox offers an all-polycarbonate product with blank covers or a choice of one- or two-hole pushbutton openings for both 22mm and 30mm hardware. These enclosures include the external flush wall design, unobstructed internal sidewalls, polycarbonate cover screws, and watertight seal.



COPC432



COPC1PB



COPC2PB

Construction

- High impact-resistant polycarbonate, gray in color with gloss finish
- Poured-in-place seamless gasket for water-tight and dust-tight seal
- Mounting wells located under the cover/ outside the gasket area
- Removable cover with polycarbonate screws (provided). Torque cover screws to 16 -20 lb-in (1.8-2.2 N-m)
- Rounded edges help to prevent collection of dust and debris
- Available with 22mm or 30mm pushbutton holes, or blank cover

Listings

- UL/cUL File # E64358
- NEMA Ratings 1, 3R, 4X, 6P, and 12
- [UL508A, UL50 and UL50e]
- IEC 60529 Ratings IP66, IP68
- Temperature Range (-20°F to +240°F) (-29°C to +115°C)
- Flammability Rating UL94-5VA
- Certifications cULus, IEC, REACH
- Outdoor UV Exposure (UL 746C) (f1) Rated



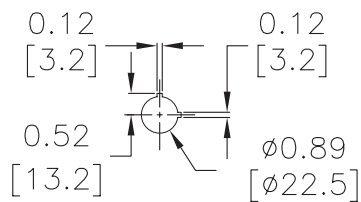
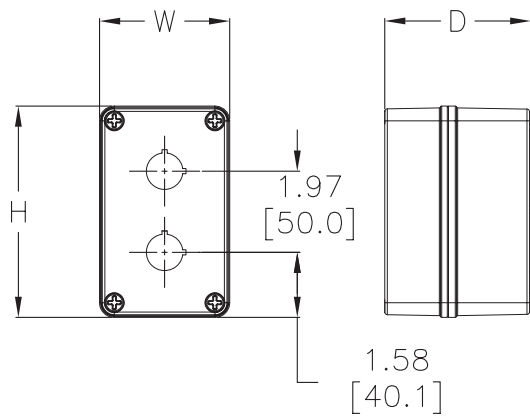
Polycarbonate Pushbutton Enclosures – Commander Series NEMA 1, 3R, 4X, 6P, and 12

Part Number	Price	# Holes	Pushbutton Size	Enclosure Size H x W x D inches [millimeters]
COPC432	\$63.00	0	—	4.34 x 3.16 x 2.79 [110 x 80 x 71]
COPC533	\$65.00	0	—	5.12 x 3.16 x 3.54 [130 x 80 x 90]
COPC1PB	\$69.00	1	30mm	4.34 x 3.16 x 2.79 [110 x 80 x 71]
COPC2PB	\$75.00	2	30mm	5.12 x 3.16 x 3.54 [130 x 80 x 90]
COPC1PB22	\$69.00	1	22mm	4.34 x 3.16 x 2.79 [110 x 80 x 71]
COPC2PB22	\$75.00	2	22mm	5.12 x 3.16 x 3.54 [130 x 80 x 90]

Commander Series Polycarbonate Pushbutton Enclosures

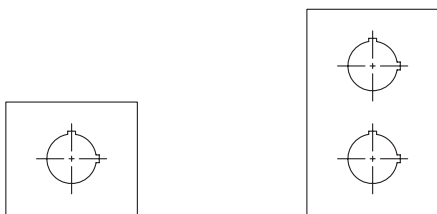
NEMA 1, 3R, 4X, 6P, and 12 with Lift-off Cover

Dimensions

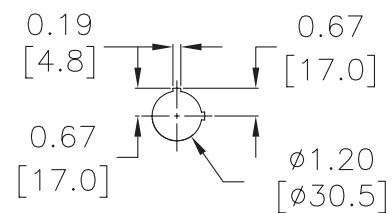
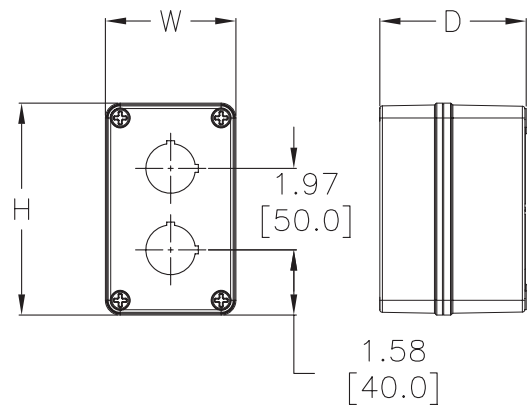


1PB-22/2PB-22
HOLE DETAIL

PB HOLE ARRANGEMENTS

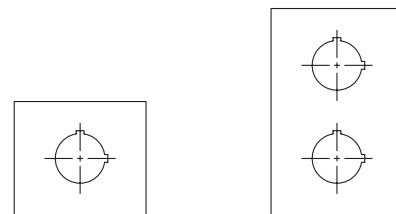


SINGLE PB-22 DOUBLE PB-22



1PB/2PB
HOLE DETAIL

PB HOLE ARRANGEMENTS



SINGLE PB DOUBLE PB

Subpanels for BantamBox Series Enclosures

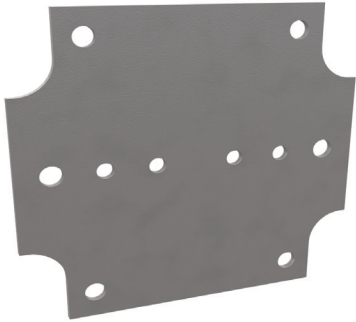


AttaBox

A ROBROY ENCLOSURES™ BRAND

Phenolic Resin Hard Paper Subpanels

Lightweight, durable and electrically resistant. Includes mounting hardware.



BPB0808P

Shipping Schedule

Same day 1 - 5 days 1 - 7 days 1 - 15 days 1 - 20 days

Color indicates shipping lead time in business days.

BantamBox Series Subpanels

Part Number	Price	Subpanel Size
<u>BPB0808P</u>	\$5.25	2.83 x 2.76 [72 x 70]
<u>BPB1280P</u>	\$5.25	4.33 x 2.76 [110 x 70]
<u>BPB1680P</u>	\$6.25	5.91 x 2.76 [150 x 70]
<u>BPB1212P</u>	\$8.00	4.41 x 4.33 [112 x 110]
<u>BPB1612P</u>	\$8.25	5.94 x 4.41 [151 x 112]
<u>BPB2012P</u>	\$7.50	7.44 x 4.29 [189 x 109]
<u>BPB2015P</u>	\$10.50	7.52 x 5.59 [191 x 142]
<u>BPB2516P</u>	\$12.50	9.53 x 5.98 [242 x 152]

Note: Dimensions in inches [millimeters].

Subpanels for Heartland Series Enclosures

Shipping Schedule

Same day 1 - 5 days 1 - 7 days 1 - 15 days 1 - 20 days

Color indicates shipping lead time in business days.



Aluminum subpanels

- Material: 3003H14 aluminum
- Finish: Mill

Part Number	Price	Subpanel Size HxW	Enclosure Nominal Size HxW	Drawing Link
BP66A	\$11.25	4.88 x 4.88 [124 x 124]	6 x 6 [152 x 152]	PDF
BP86A	\$13.50	6.88 x 4.88 [175 x 124]	8 x 6 [203 x 152]	PDF
BP108A	\$20.50	8.88 x 6.88 [226 x 175]	10 x 8 [254 x 203]	PDF
BP1010A	\$24.00	8.88 x 8.88 [226 x 226]	10 x 8 [254 x 203]	PDF
BP1210A	\$25.00	10.88 x 8.88 [276 x 226]	12 x 10 [305 x 254]	PDF
BP1412A	\$30.00	12.88 x 10.88 [327 x 276]	14 x 12 [356 x 305]	PDF
BP1614A	\$39.00	14.88 x 12.88 [378 x 327]	16 x 14 [406 x 356]	PDF

Note: Dimensions in inches (millimeters).



Aluminum Swing Panel Kits

- 3003H14 aluminum subpanel
- Includes panel, polycarbonate mounts, and screws

Part Number	Price	Fits Enclosure Size [HxW]	Drawing Link
AH66SPK	\$52.50	6 x 6 [152 x 152]	PDF
AH86SPK	\$54.00	8 x 6 [203 x 152]	PDF
AH108SPK	\$59.00	10 x 8 [254 x 203]	PDF
AH1210SPK	\$63.00	12 x 10 [305 x 254]	PDF
AH1412SPK	\$68.00	14 x 12 [356 x 305]	PDF
AH1614SPK	\$73.00	16 x 14 [406 x 356]	PDF
AH1816SPK	\$78.00	18 x 16 [457 x 406]	PDF
AH2016SPK	\$121.00	20 x 16 [508 x 406]	PDF
AH1010SPK	\$85.00	10 x 10 [254 x 254]	PDF
AH2424SPK	\$88.00	24 x 24 [610 x 610]	PDF

Note: Dimensions in inches [millimeters].



Heartland Series Enclosure Accessories

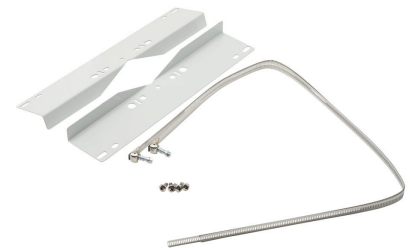


AttaBox
A ROBROY ENCLOSURES™ BRAND



Shipping Schedule				
Same day	1 - 5 days	1 - 7 days	1 - 15 days	1 - 20 days
Color indicates shipping lead time in business days.				

Heartland Series – Enclosure Pole Mount Kits			
Part Number	Price	For Pole Diameter	Fits Enclosure Width
PM6-8	\$72.00	3.00 -12.00 [76- 305]	6.00 - 8.00 [152 - 203]
PM10-12	\$78.00		10.00 - 12.00 [254 - 305]
PM14-16	\$84.00		14.00 - 16.00 [356 - 406]
PM18-24	\$98.00		18.00 - 24.00 [457 - 610]
Note: Dimensions in inches [millimeters].			



PM14-16



REV60



REV80

Heartland Series – Enclosure Vents		
Part Number	Price	Description
REAH-V60	\$16.25	vent, 60mm, polycarbonate , maintains NEMA 3R rating.
REAH-V80	\$21.50	vent, 80mm, polycarbonate , not UL rated, enclosure is NEMA 1 when vent is installed

Heartland Series Enclosure Accessories



AttaBox
A ROBROY ENCLOSURES™ BRAND



Shipping Schedule				
Same day	1 - 5 days	1 - 7 days	1 - 15 days	1 - 20 days
Color indicates shipping lead time in business days.				

Enclosure Latch Kits		
Part Number	Price	Description
AHLKSS	\$15.25	latch, replacement, quick-release, 304 stainless steel Package of 2
AHLK	\$11.00	latch, replacement, quick-release, polycarbonate Package of 2



AHLKSS

AHLK

Accessory Kit		
Part Number	Price	Description
AHAK	\$14.00	mounting feet kit, polycarbonate Includes (4) mounting feet and mounting hardware



AHAK

Enclosure Replacement Fasteners		
Part Number	Price	Description
AHSNK	\$23.00	slot nut kit, #10-32 UNF x 0375in, Phillips pan head, zinc plated steel Package of 2 Includes screw and galvanized steel slot nut
AHTSKSS	\$11.00	thumb screw, replacement, #10-32 UNF x 0375in, stainless steel Package of 2 Nylon washer included
AHTSKAL	\$8.00	thumb screw, replacement, #10-32 UNF x 0375in, aluminum Package of 2 Nylon washer included



AHSNK

AHTSKSS



AHTSKAL

Enclosure Swing Panel Mounts		
Part Number	Price	Description
AHSPM	\$32.50	AttaBox Heartland series swing panel bracket, polycarbonate. Package of 4. For use with Heartland series enclosures. Mounting screws included.



AHSPM

Heartland Series Enclosure Accessories

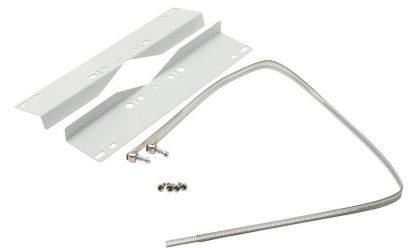


AttaBox
A ROBROY ENCLOSURES™ BRAND



Shipping Schedule				
Same day	1 - 5 days	1 - 7 days	1 - 15 days	1 - 20 days
Color indicates shipping lead time in business days.				

Heartland Series – Enclosure Pole Mount Kits			
Part Number	Price	For Pole Diameter	Fits Enclosure Width
PM6-8	\$72.00	3.00 -12.00 [76- 305]	6.00 - 8.00 [152 - 203]
PM10-12	\$78.00		10.00 - 12.00 [254 - 305]
PM14-16	\$84.00		14.00 - 16.00 [356 - 406]
PM18-24	\$98.00		18.00 - 24.00 [457 - 610]
Note: Dimensions in inches [millimeters].			



PM14-16



REV60



REV80

Heartland Series – Enclosure Vents		
Part Number	Price	Description
REAH-V60	\$16.25	vent, 60mm, polycarbonate , maintains NEMA 3R rating.
REAH-V80	\$21.50	vent, 80mm, polycarbonate , not UL rated, enclosure is NEMA 1 when vent is installed

Heartland Series Enclosure Accessories



AttaBox
A ROBROY ENCLOSURES™ BRAND



Shipping Schedule				
Same day	1 - 5 days	1 - 7 days	1 - 15 days	1 - 20 days
Color indicates shipping lead time in business days.				

Enclosure Latch Kits		
Part Number	Price	Description
AHLKSS	\$15.25	latch, replacement, quick-release, 304 stainless steel Package of 2
AHLK	\$11.00	latch, replacement, quick-release, polycarbonate Package of 2



AHLKSS

AHLK

Accessory Kit		
Part Number	Price	Description
AHAK	\$14.00	mounting feet kit, polycarbonate Includes (4) mounting feet and mounting hardware



AHAK

Enclosure Replacement Fasteners		
Part Number	Price	Description
AHSNK	\$23.00	slot nut kit, #10-32 UNF x 0.375in, Phillips pan head, zinc plated steel Package of 2 Includes screw and galvanized steel slot nut
AHTSKSS	\$11.00	thumb screw, replacement, #10-32 UNF x 0.375in, stainless steel Package of 2 Nylon washer included
AHTSKAL	\$8.00	thumb screw, replacement, #10-32 UNF x 0.375in, aluminum Package of 2 Nylon washer included



AHSNK

AHTSKSS



AHTSKAL

Enclosure Swing Panel Mounts		
Part Number	Price	Description
AHSPM	\$32.50	AttaBox Heartland series swing panel bracket, polycarbonate. Package of 4. For use with Heartland series enclosures. Mounting screws included.



AHSPM