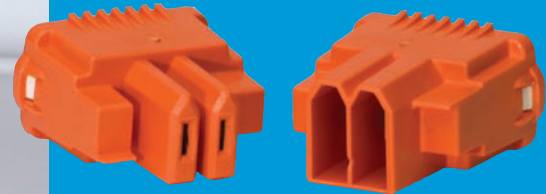


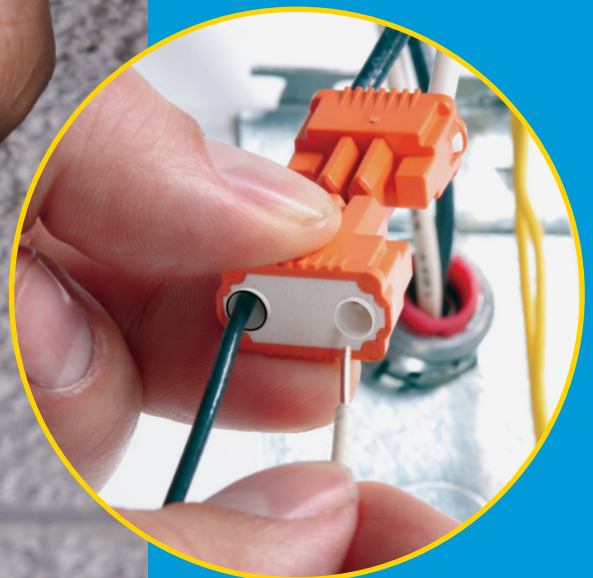


## **PowerPlug™ Luminaire Disconnect**



**powerplug**

- *The first push-in disconnect to meet the new CEC and new NEC code changes for non-residential fluorescent luminaires with ballasts*
- *Perfect for OEM or retrofit lighting applications*
- *Wide wire range to accommodate a variety of applications*
- *Low insertion force for fast and easy connections*



*Push-in technology results in quicker connections, saving time and increasing productivity.*



# PowerPlug™ Disconnect

The IDEAL PowerPlug™ is the first push-in disconnect that fully meets both the new Canadian Electrical Code 30-308(4) and new National Electrical Code 410.73(G) for non-residential fluorescent luminaires with ballasts. Many existing disconnects are rated for stranded wire only and will not meet the installation requirements for solid ballast wire.

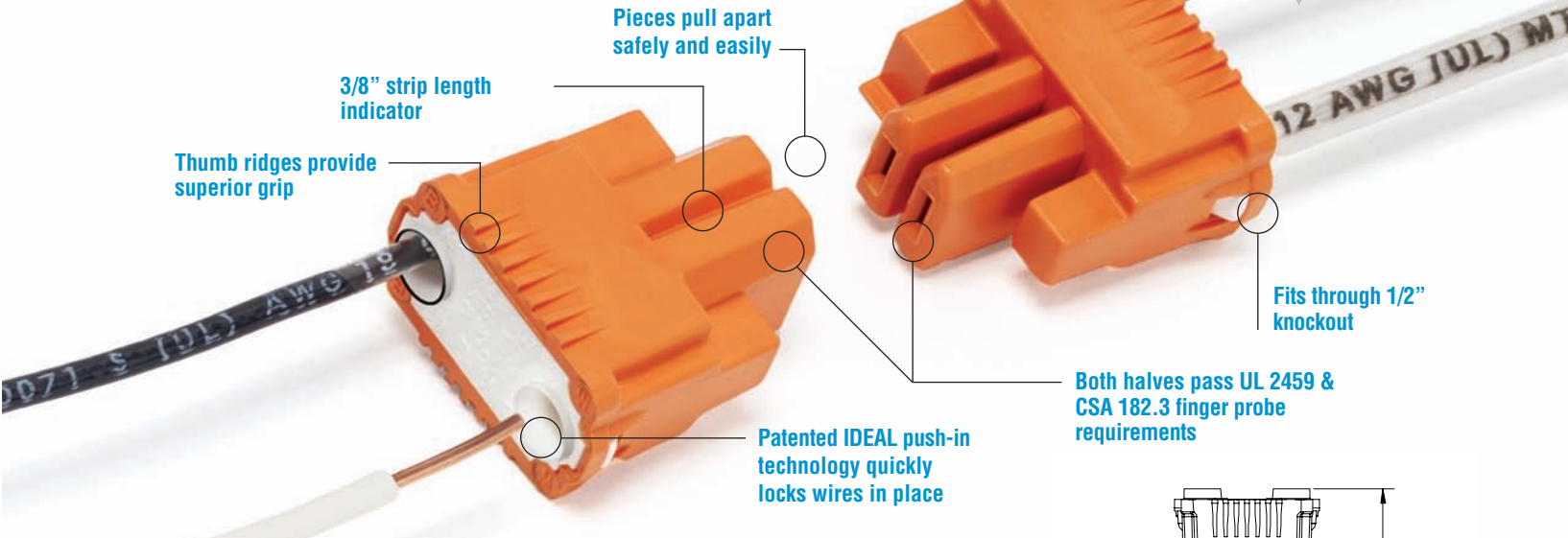


The PowerPlug also offers innovative push-in technology on solid and stranded wire. This push-in feature does not require tools and enables quick connections, resulting in labor cost benefits. In addition, the simple two-piece device passes UL 2459 finger probe requirements, allowing ballast replacement while minimizing the risk of shock.

PowerPlug – the disconnect that is truly one of a kind.

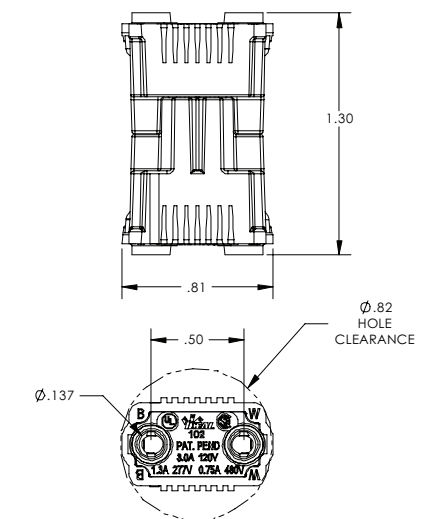


Description	Cat. No.
PowerPlug™ Disconnect, 25 ct.	30-372
PowerPlug™ Disconnect, 75 ct.	30-382J
PowerPlug™ Disconnect, 150 ct.	30-352J
PowerPlug™ Disconnect, 1,000 ct.	30-102



Materials		Wire Range	
Housings:	Nylon	Solid	12 AWG – 18 AWG
Contacts:	Copper Alloy	Stranded	12 AWG – 14 AWG (19 strand or less)
<b>Ratings</b>		Stranded Tin-Bonded	12 AWG (19 strand or less)
			14 AWG (19 strand or less)
			16 AWG (26 strand or less)
			18 AWG (16 strand or less)
Temperature:	105 °C (221 °F)	<b>Agency Approvals</b>	
Flammability:	UL 94V-0	UL 2459	CSA 182.3
Current Interruption:	10 Cycles Minimum	<b>Physical</b>	
<b>Max. Current Rating</b>		Strip Length:	3/8" ± 1/16"
120V	3 Amps	Number of Circuits:	2 (3 circuit coming soon)
277V	1.3 Amps	Color:	Orange and White
347V	1 Amps	Mating/Unmating Force:	3-8 Pounds
480V	0.75 Amps		
600V*	0.60 Amps		
Patents Pending			

\*CSA Certified (UL pending)



Listed  
Luminaire Disconnect  
3HME

P-2733  
©2006 IDEAL INDUSTRIES, INC.

## IDEAL INDUSTRIES, INC.

Becker Place, Sycamore, IL 60178, USA / 815-895-5181 • 800-435-0705 in USA

### International offices:

Australia • Brazil • Canada • China • Germany • Mexico • UK

For complete sales office contact information, visit us at:

[www.idealindustries.com](http://www.idealindustries.com)

Rev. 2/07  
Printed in U.S.A.